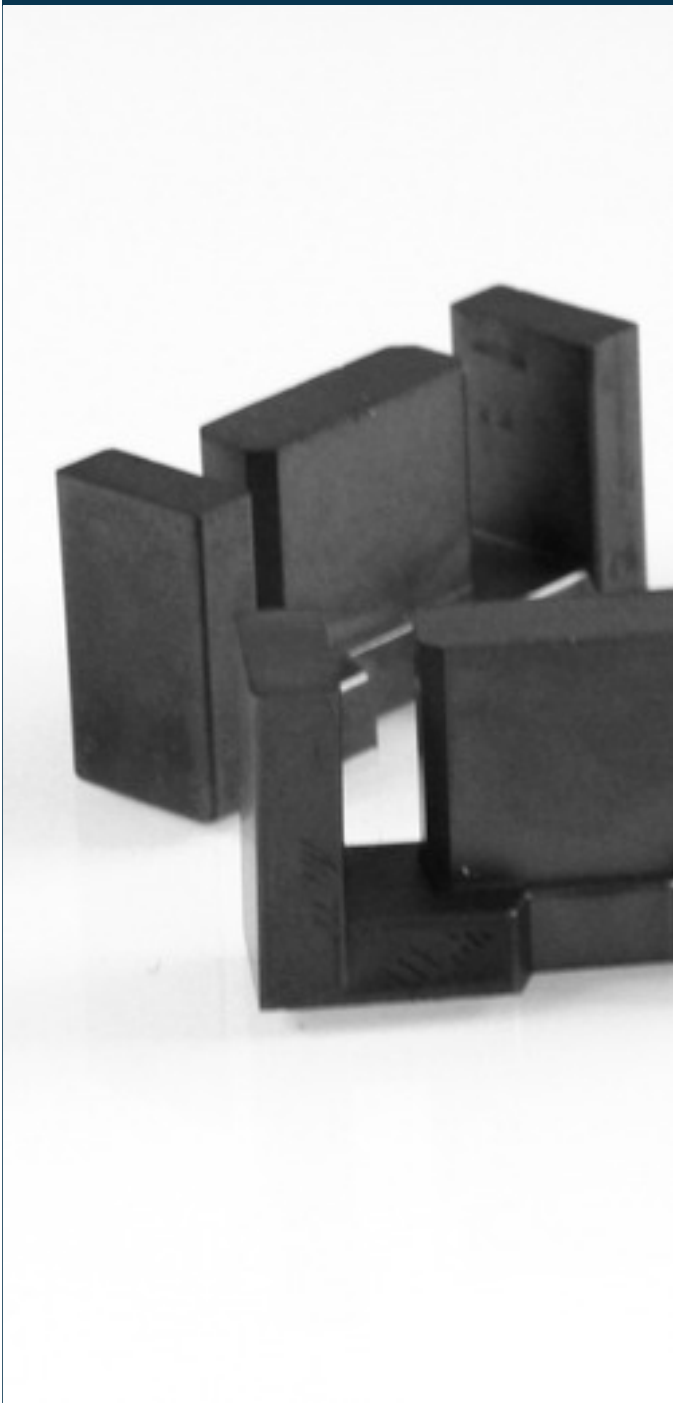


Core
FS-1EFD-2007-00



Advantages

Cost saving and easy compilation of components for pattern construction through unification

Insertion of air gaps on request

On request wound inductors to EN61558-2-16 standard an EN60950 or vacuum potted

Applications

Transformers and reactors in switch mode power supplies

Approvals

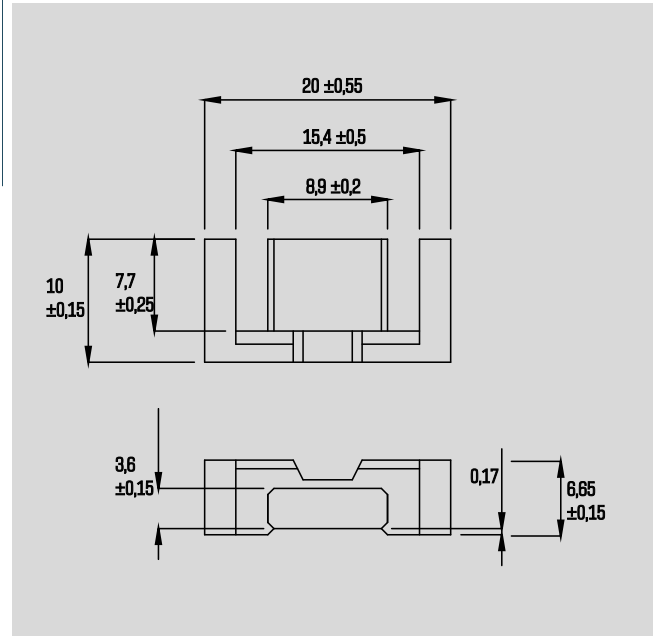


Core FS-1EFD-2007-00

Type		FS-1EFD-2007-00
Electrical data	Magnetic characteristics	0 nH ± 10%
		>210°C
		<450 kW/m³
		21A/m @25°C
		13A/m @100°C
		>380
	Material	N87 (or comparable)
	Ae	31.0 mm²
		31.0 mm²
	Le	47.0 mm
		1200 nH ± 25%
		0 nH ± 10%
		306 nH ± 10%
		188 nH ± 10%
		99 nH ± 10%
	61 nH ± 10%	
	0 nH ± 10%	
	0 nH ± 10%	
Operating data		25 kHz - 200 kHz
Notes		ISO 2768-m
Order numbers		
Order Number		FS-1EFD-2007-00

Type		FS-1EFD-2007-00
Notes		
Remark		

30
Mechanical data



Subjects to change.