

Quick Connect

The ULTEmate electrical connection solution for harsh environments.

Being constructed for Ultem[®], a high temperature and corrosion resistant composite material, makes this the ULTEmate electrical connection solution. The Quick Connect Marine series of 2 & 7 way composite connectors are chemical resistant and environmentally sealed to IP68. They are ideal for the most rigorous application. In addition, the cable sealing options together with stamped and formed contacts match durability with economy



FEATURES

Supplied with:

- Quick latch mechanism
- Universal mounting
- Choice of wire seal, gland nut & over moulding
- Standard sealing O-ring
- Constructed from Ultem[®], a high temperature resistant composite material
- Meets UL94 Class V-0 flammability requirements
- Sealed against dust and moisture to IP68

BENEFITS

- Positive location
- Flexible panel mounting of both halves
- Variety of options for maximum design-in flexibility
- Cost Effective
- O-ring's match design requirements
- Prevents mis-mating
- Withstands heat, dust, moisture

GENERAL SPECIFICATION

Standard connector:

Crimp and PCB contacts, insert / extraction tools, dust caps and back fittings

Materials

Shell / Insulators: Temperature and corrosion resistant composite, Ultem[®]
Contacts: Copper Alloy / Gold Plated

Back Fitting Options

Gland Nut: Strain Relief
Wire Seal: Basic sealing
Overmould: Cable Sealing
Panel Nut: Universal Mount
Conduit Adaptor: Wire management
Heat Shrink: One-stop-shop kit option

Contact Rating

Current Rating: up to 13 amps
Voltage: 750 to 1000 Vac (rms)
Insulation Resistance: 1000 MΩ

Temperature Rating [connector]

-55°C to 150°C

(The upper limit is the maximum internal hot-spot temperature resulting from the combination of ambient temperature and heating due to current)



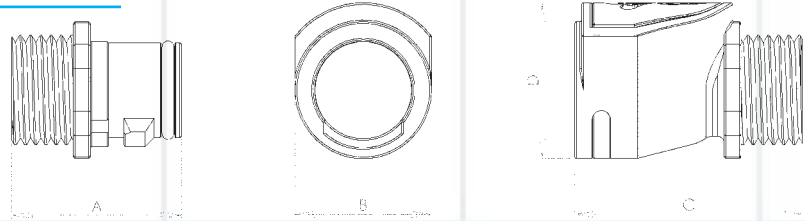
DEUTSCH
MARINE LTD

Technical Specification

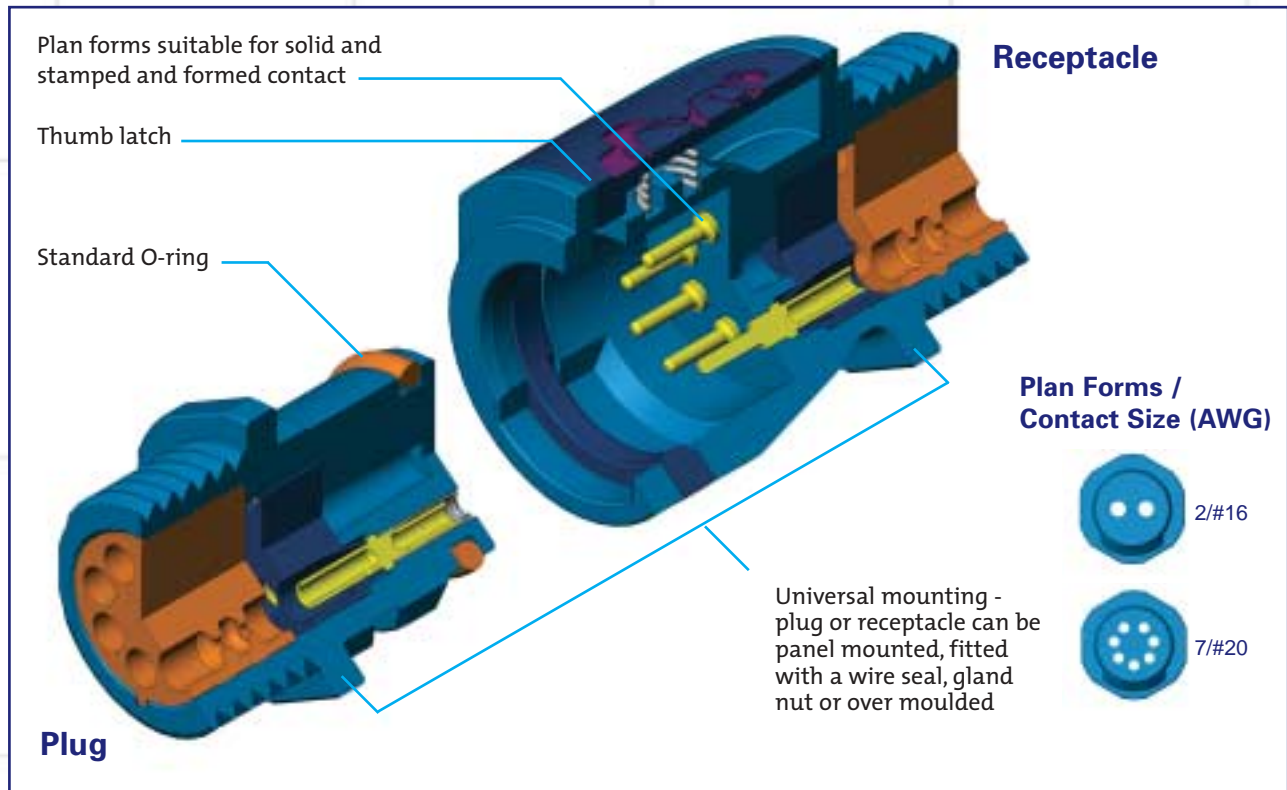
DIMENSIONS

	A	B	C	D
QC2	25	16	33	22.5

Envelope dimensions are for reference only.
Contact Deutsch Ltd if more detail is required.



CONSTRUCTION



ORDERING INFORMATION

PLUG

Description	Part No.
200 series in/lp 2way#16	QC26-16o2X
200 series in/lp 7way#20	QC26-20o7X

RECEPTACLE

Description	Part No.
200 series in/lr 2way #16	QC24-16o2X
200 series in/lr 7way #20	QC24-20o7X

PLUG SEALING CAP

Description	Part No.
200 series pro-cap	IMC 29



CONTACTS - SOLID

Description	Part No.
contacts #16 pins	6860-201-16278
contacts #20 pins	6860-201-20278
contacts#16 sockets	6862-201-16278
contacts#20 sockets	6862-201-20278

CONTACTS - STAMPED AND FORMED

#20 Pin 24-28 AWG Reel 10k	6860-101-2013
#20 Skt 24-28 AWG Reel 10k	6862-101-2013
#20 Pin 20-24 AWG Reel 10k	6862-101-2023
#20 Skt 20-24 AWG Reel 10k	6862-101-2023

CONTACT INSERT / EXTRACT TOOLS

Description	Part No.
Insert/extract tool#16	6757-201-1610
Insert/extract tool#20	6757-201-2001



Distributed by:

Castleham Industrial Estate
2 Stanier Road, St Leonards on Sea
East Sussex TN38 9RF England

TELEPHONE +44 (0)1424 852722
FAX +44 (0)1424 855979
EMAIL marine@deutsch.co.uk
WEBSITE www.deutschltd.com



DEUTSCH
MARINE LTD