



## Ordering number FA11826\_TINA3-WWW

Family	Tina3	FWHM	76 degrees
Type	Assembly	Efficiency	88 %
LED	NF2x757A	cd/lm	0.600
Color	White	Gerber File	Available
Diameter	16.1 mm		
Height	6.9 mm		
Style	Round		
Optic Material	PMMA		
Holder Material	PC		
Fastening	Pin, tape		
Status	On production		

**NOTE: The typical divergence will be changed by different color, chip size and chip position tolerance. The typical total divergence is the full angle measured where the luminous intensity is half of the peak value.**



## PRODUCT DATASHEET

### Tina3 series

last update 25/6/2013



#### GENERAL INFORMATION

- Product series especially designed & optimized for NF2x757A series of LEDs.
- Special care taken to make light distribution as uniform as possible.
- Lens material optical grade PMMA with high UV and temperature resistance. Allows use of high current and temperature conditions.

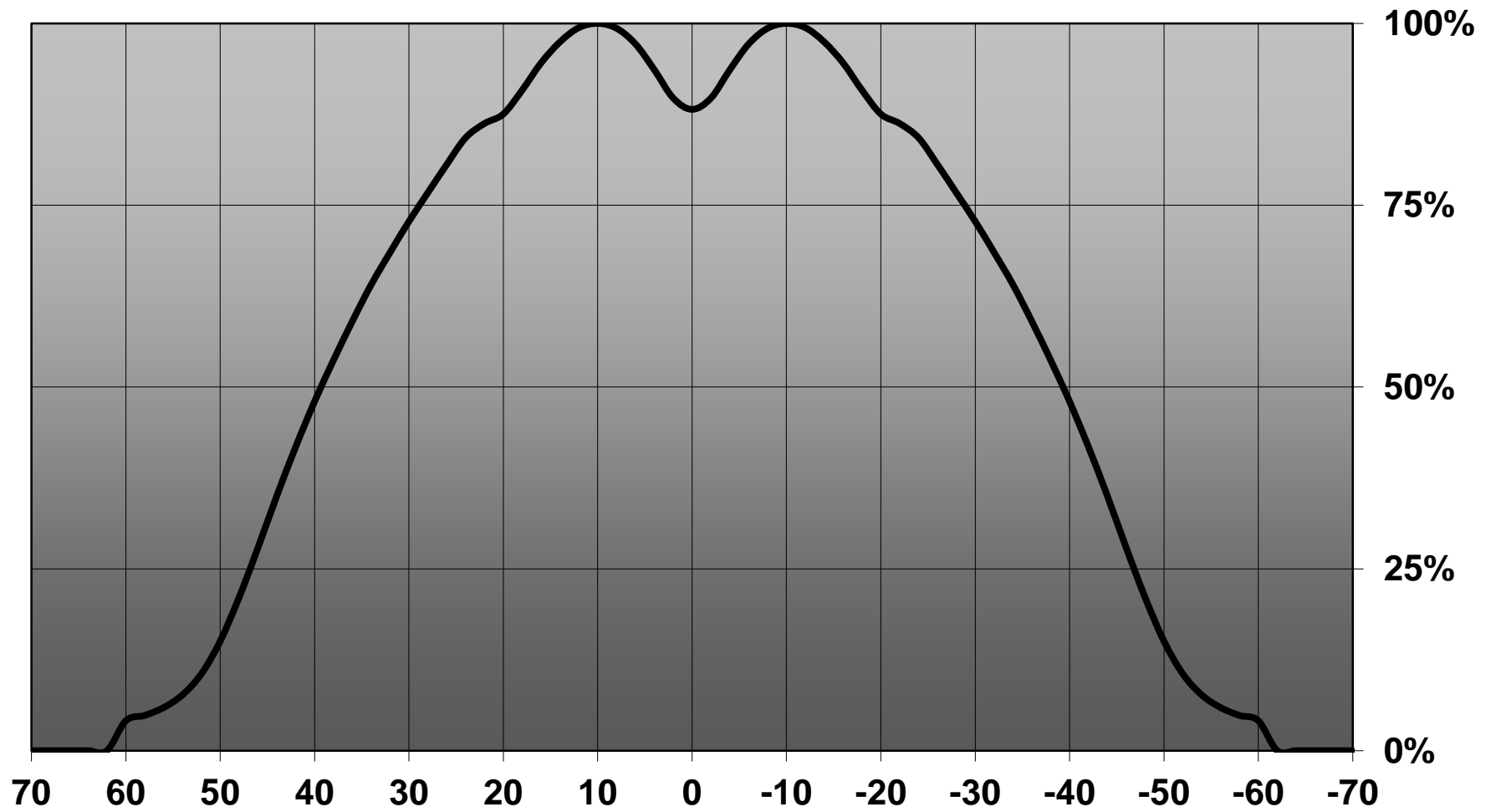
Please find more information about used material from below:

[http://ledil.fi/sites/default/files/Documents/Technical/Material/PMMA%20N%20UL94\\_Yellow%20Card.pdf](http://ledil.fi/sites/default/files/Documents/Technical/Material/PMMA%20N%20UL94_Yellow%20Card.pdf)

<http://ledil.fi/sites/default/files/Documents/Technical/Material/PMMA%20N%20PLEXIGLAS-Datasheet.pdf>

- Optic holder molded by high quality PC material (120 degrees of Celcius / 248 degrees of Fahrenheit).

Relative intensity of FA11826\_Tina3-WWW-XP-G



D

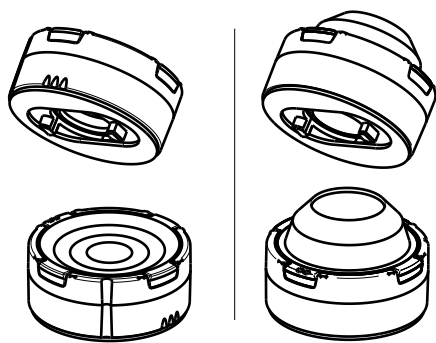
C

B

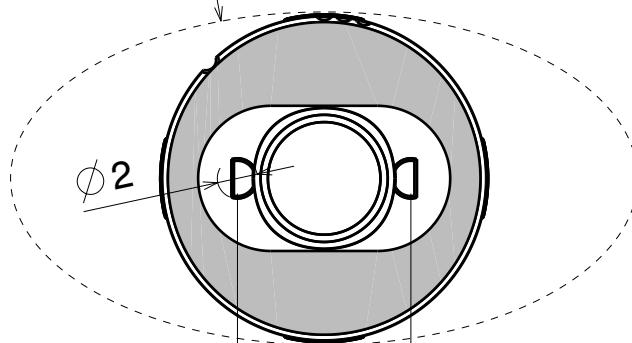
A

4

4



Oval beam direction

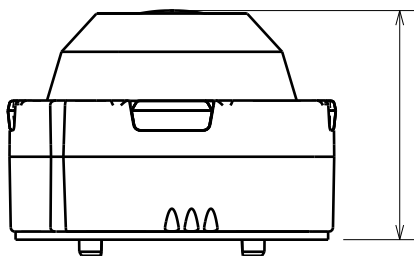


8.6

c / c

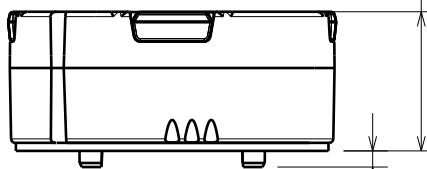
3

3



11.4

Spot version height

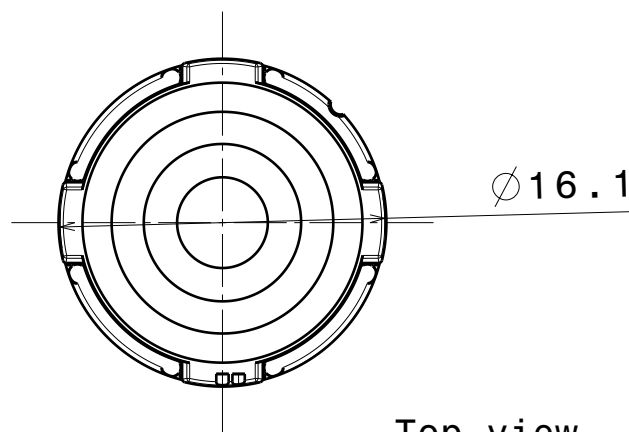


6.9

0.8

2

2



16.1

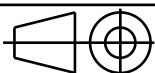
Top view

Tolerances if not otherwise shown  
 According to DIN ISO 2768-1  
 Linear measures:  
 Up to 30mm class F, otherwise class M.  
 According to DIN ISO 2768-2  
 Form and position: class K

LEDiL

Ledil Oy  
 Salorankatu 10  
 FIN 24240 SALO  
 Finland

THIRD ANGLE PROJECTION:



DRAWING TITLE

TINA3 Datasheet

This drawing is the property  
 of LEDiL Oy. It may not be  
 reproduced, copied or  
 communicated without a written  
 agreement with LEDiL Oy."

SIZE

A4

PART NUMBER

-

SCALE

4:3

WEIGHT

-

SHEET

1/1

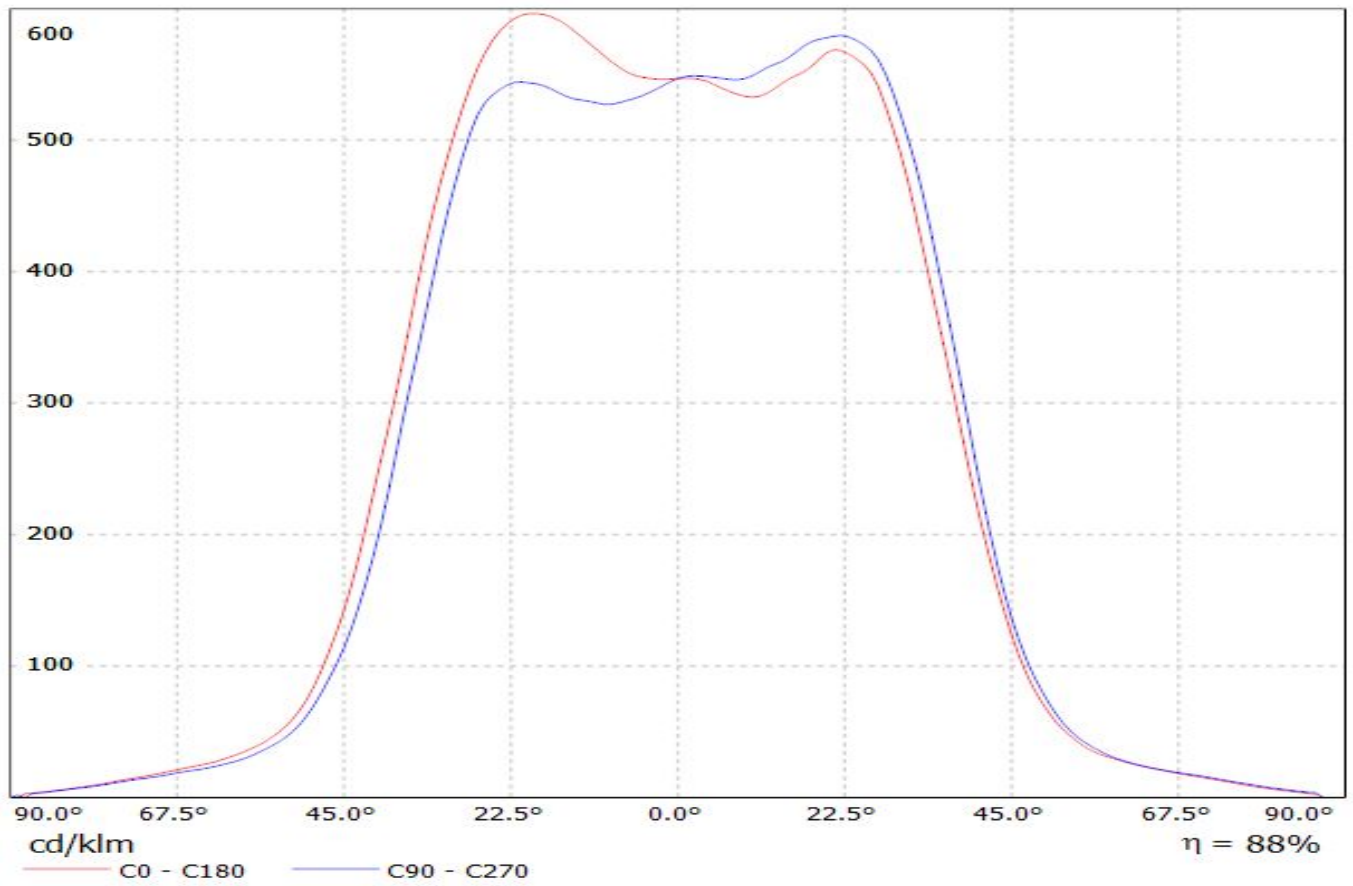
D

A

1

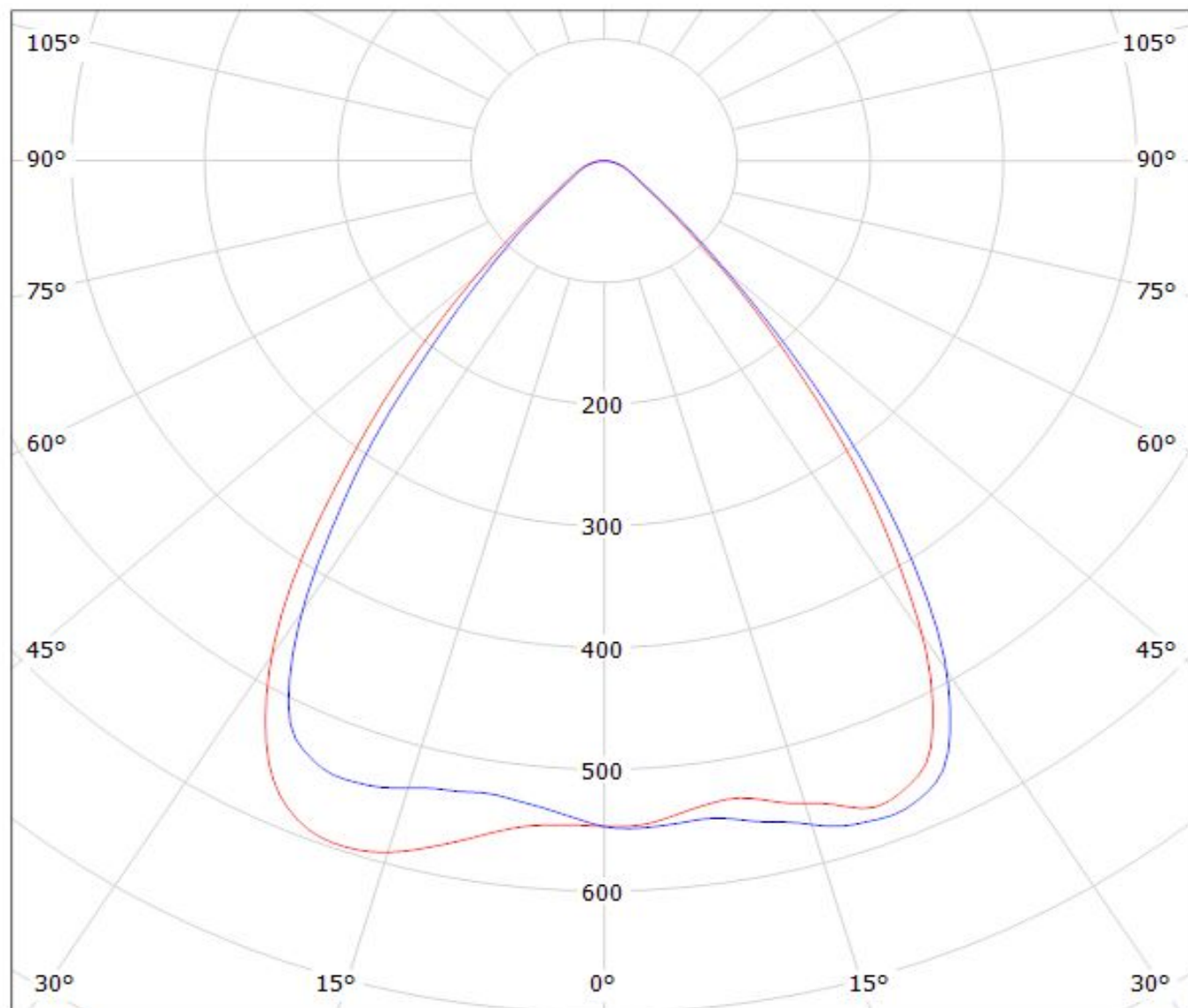
1

Luminaire: Ledil Oy FA11826\_TINA3-WWW Eff. 88%  
Lamps: 1 x Nichia NF2x757A (NF2L757ART) 67lm@100mA CCT=4700K P=0.6W I=100mA



Luminaire: Ledil Oy FA11826\_TINA3-WWW Eff. 88%

Lamps: 1 x Nichia NF2x757A (NF2L757ART) 67lm@100mA CCT=4700K P=0.6W I=100mA



cd/klm

— C0 - C180

— C90 - C270

η = 88%