

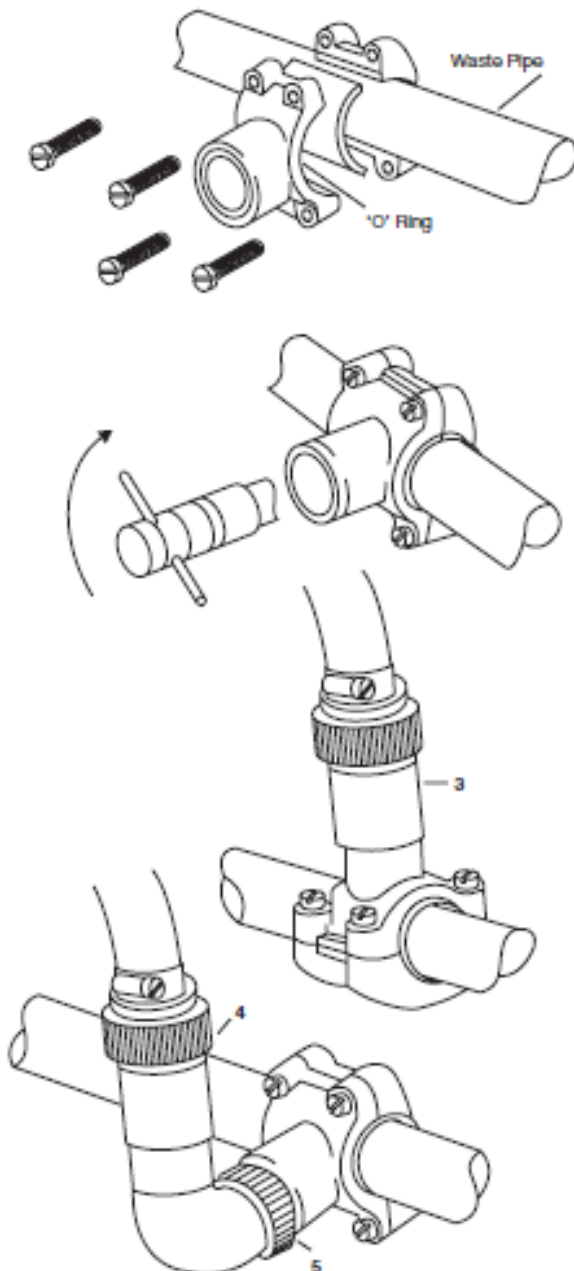
Self Cutting Outlet Clamp

If you are in any doubt, contact your local Water Company advisory service or a competent plumber.

FITTING INSTRUCTIONS

1. Select the most convenient place in the plastic waste pipe 32mm (1 1/4") or 40mm (1 1/2") dia.
2. Disconnect components (as shown above). Place saddle halves around waste pipe, remove saddle inserts if pipe is 40mm (1 1/2") dia. Ensure the 'O' ring is seated in recess. Tighten screws by stages to give an even and maximum pressure on waste pipe.
3. Insert cutting tool and screw home (clockwise) until hole is cut in waste pipe. Repeat to ensure a clean entry.
4. Remove cutter and screw in elbow. Use locking nut (5) to determine final position of elbow and tighten, OR screw non-return valve (3) directly into saddle piece.
5. To complete installation, choose correct size hose coupling to suit drain hose and secure hose with hose clip (not included).

Note: It is important to remove lint and other deposits regularly from the non-return valve. Simply unscrew retaining collar (4).



All components can be unscrewed by turning anti-clockwise