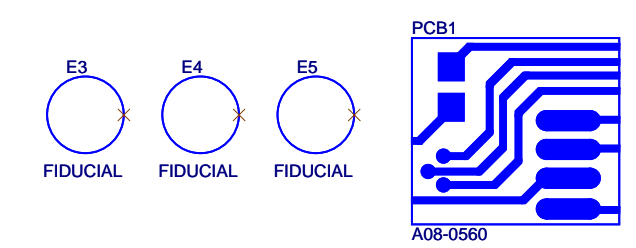
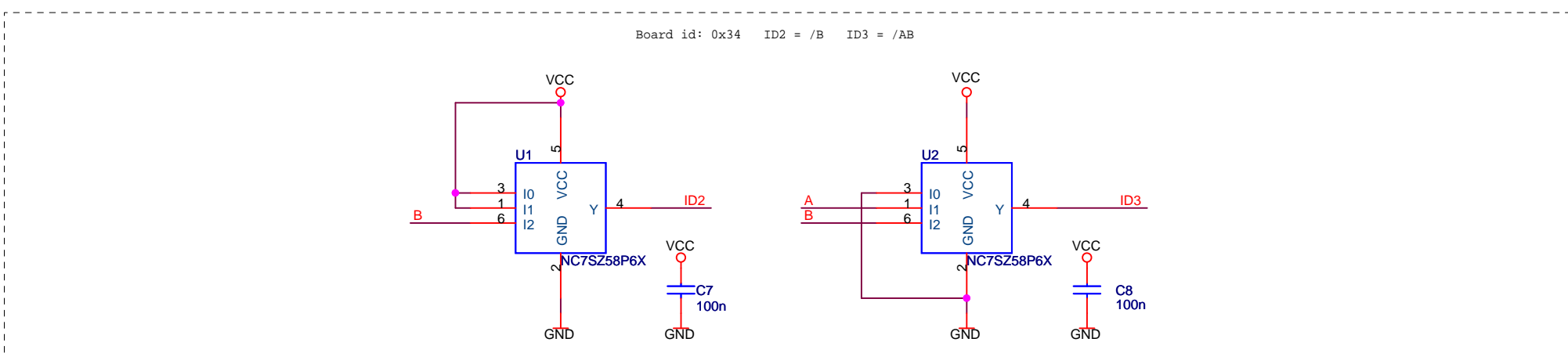
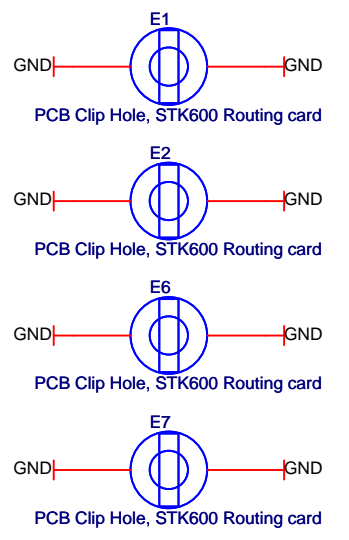
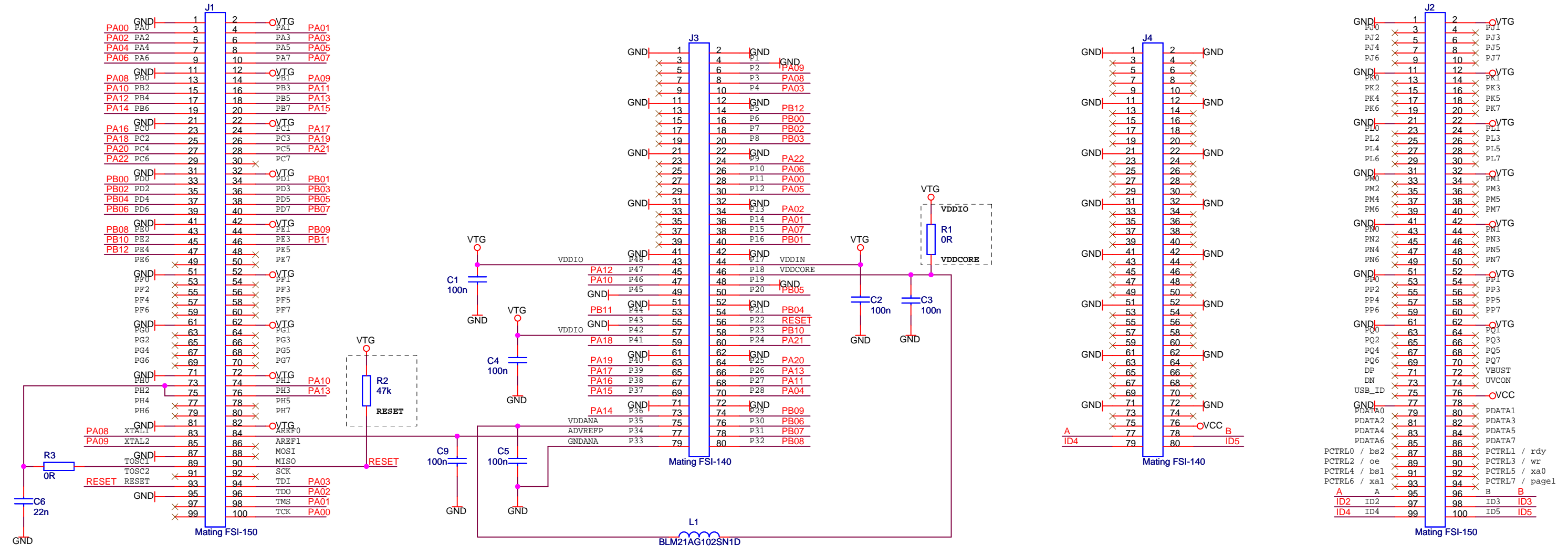
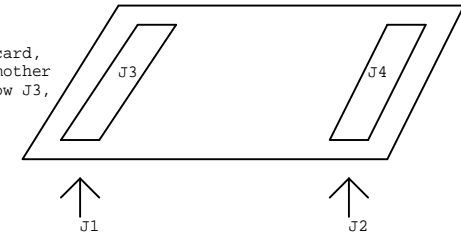


STK600-RCUC3L0-34

Routing card for 48 pin AT32UC3L0

J3 and J4 mates up to the socket card, while J1 and J2 goes down to the mother board. J1 is physical placed below J3, and J2 below J4.



<Variant Name>

ATMEL Norway AS Vestre Rosten 79 N-7075 TILLER Norway		
Title STK600-RCUC3L0-34 Routing card for 48 pin AT32UC3L0		
Size A3	Document Number <Doc>	Rev 2
Date: Tuesday, November 18, 2008	Sheet 1 of 1	