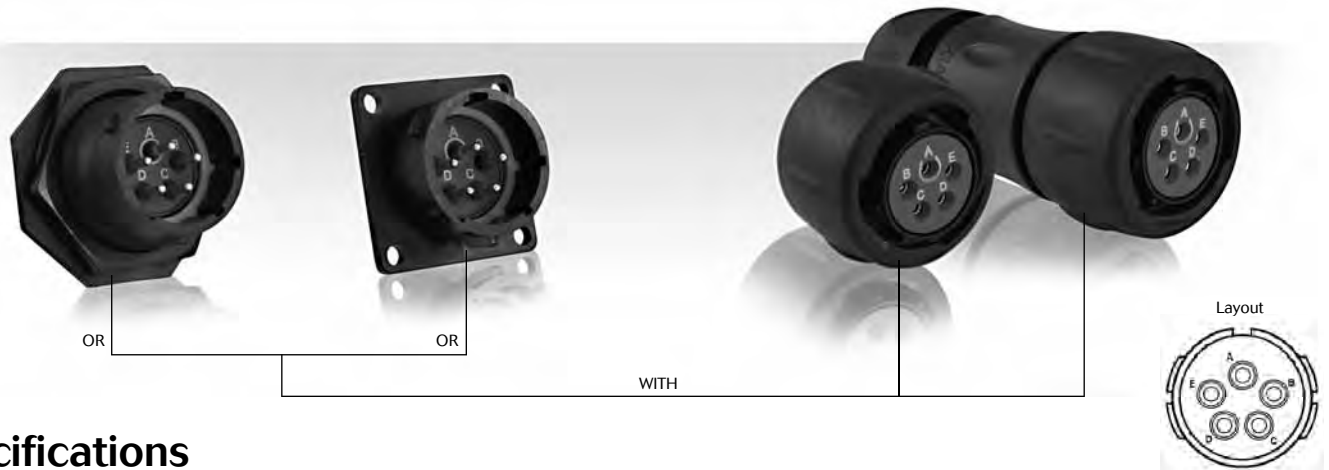


UTS Series

14E5/14D5



Specifications

Contact type	Connector type	Backshell	Part number	
			Male insert	Female insert
Hand solder electrical contacts loaded	Square flange receptacle	Without (Fig.6)	UTS014E5P	UTS014E5S
	Plug	Without (Fig.1)	UTS614E5P	UTS614E5S
		Cable gland (Fig.2)	UTS6JC14E5P	UTS6JC14E5S
	Jam nut receptacle	Without (Fig.3)	UTS714E5P	UTS714E5S
PCB contacts loaded	Square flange receptacle	Without (Fig.6)	UTS014D5P	UTS014D5S
	Jam nut receptacle with hold down clips	Without (Fig.4)	UTS714D5P32	UTS714D5S32
	Jam nut receptacle with stand off and without hold down clip	Without (Fig.5)	UTS714D5P	UTS714D5S

Sealed unmated



Dimensions

