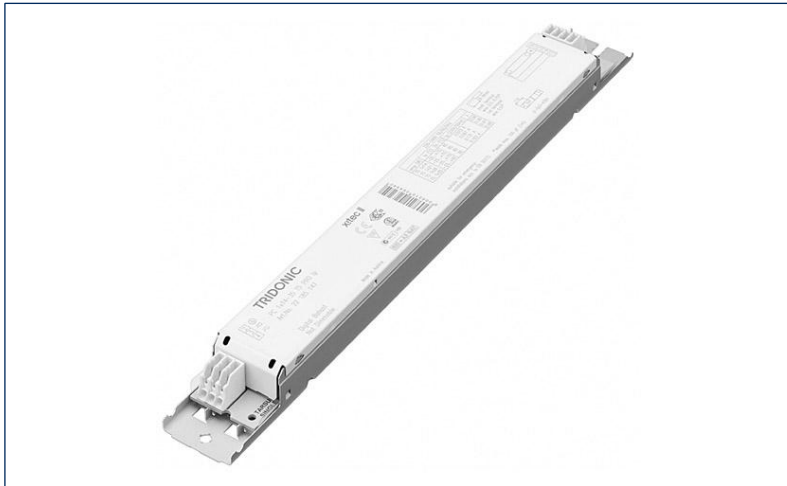


PC T5 PRO Ip, PC TCL PRO Ip, 14 – 80 W

PC PRO T5

With PC PRO you get the maximum from a fluorescent lamp. x II processor technology ensures an intelligent balance of tolerances for extremely precise lamp operation. As a result of this careful treatment, the lamps feature a long service life, even after more than 50,000 starts. In this regard it is no problem if ambient temperatures fluctuate between -25 °C and up to 80 °C according to the specific version. With overvoltage caused by erroneous wiring, the supplementary Intelligent Voltage Guard protective function outputs a warning.

**Product description**

- _ Highest CELMA Energy Efficiency Index A2 BAT
- _ Nominal life-time up to 100,000 h (at ta 50 °C with a failure rate ≤ 0.1 % per 1,000 h)
- _ Large temperature range (for values see table)
- _ Intelligent Voltage Guard (overvoltage indication and undervoltage shutdown)
- _ Precise lamp operation using adjustment of lamp parameters
- _ Advanced SMART-Heating for min. 50,000 starts without replacement of lamps
- _ Constant luminous flux irrespective of fluctuations in mains voltage
- _ Designed for THD < 10 %
- _ For luminaires of protection class I and protection class II
- _ Automatic start after replacement of defective lamps
- _ Safety shutdown of defective lamps and at end of lamp life (EOL 2)
- _ Insulation Displacement Connection (IDC) terminal for rapid automatic or manual wiring
- _ For emergency lighting systems as per EN 50172

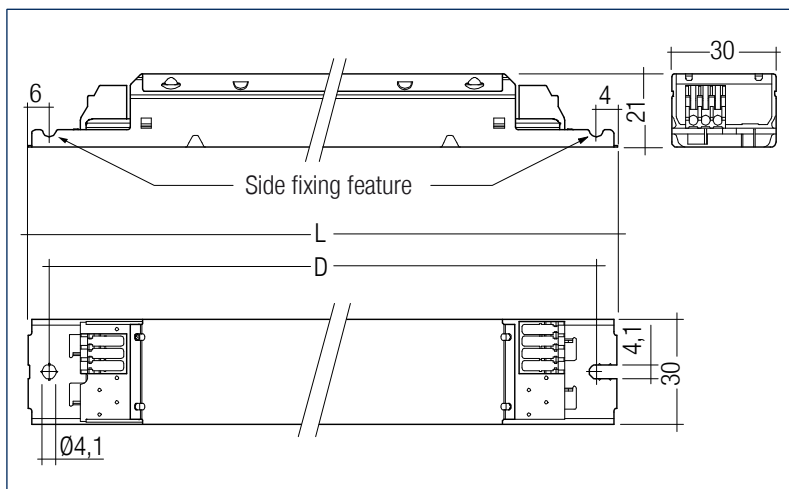
Website

<http://www.tridonic.com/22185152>



PC T5 PRO Ip, PC TCL PRO Ip, 14 – 80 W

PC PRO T5



Ordering data

Type	Article number	Packaging, carton	Packaging, low volume	Weight per pc.
For luminaires with 2 lamps				
PC 2x39 T5 PRO Ip	22185152	10 pc(s).	760 pc(s).	0.235 kg

Technical data

Mains voltage range	220 – 240 V
AC voltage range	198 – 264 V
DC voltage range	176 – 280 V (lamp start ≥ 198 V DC)
Mains frequency	0 / 50 / 60 Hz
Overvoltage protection	320 V AC, 1 h
Defined warm start	≤ 1.5 s
Operating frequency	≥ 39.5 kHz
Type of protection	IP20

Approval marks



Standards

EN 55015, EN 61347-2-4, EN 61347-2-3, EN 60929, EN 61000-3-2, EN 61547, Acc. to EN 50172, IEC 68-2-64 Fh, IEC 68-2-29 Eb, IEC 68-2-30

Specific technical data

Lamp wattage	Lamp type	Type	Article number	Dimensions L x W x H	Hole spacing D	Lamp power	Circuit power	EEI	Current at 50 Hz		λ at 50 Hz		tc point max.	Ambient temperature ta	tc/ta for ≥ 50, 000 h
									220 V	240 V	220 V	240 V			
For luminaires with 2 lamps															
2 x 39 W	T5	PC 2x39 T5 PRO Ip	22185152	360 x 30 x 21 mm	350 mm	76.0 W	83.2 W	A2 BAT	0.371 A	0.333 A	0.98	0.96	80 °C	-25 ... +60 °C	70/50 °C

The complete data sheet for this product is available in the Downloads section.