



ENGLISH

Datasheet

DC Axial Fan, 60 x 60 x 15mm, 32.3m/h, 1.6W, 12 V dc (OD6015 Series)

RS Stock number [541-4959](#)



Frame and Impeller

PBT, UL94V-0 Thermoplastic

Available Options

Tachometer

Locked Rotor Alarm

Finger Guard: G60-4

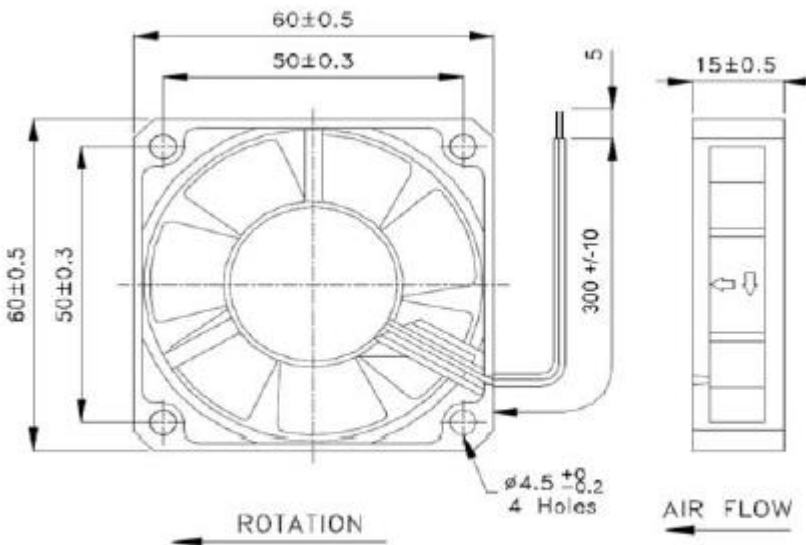
Plastic Guard: G60P

Wire Mesh Guard: WMG60M

Filter Kit: GRM60-30, GRM60-45

RS Part Number	Orion Part Number	Speed (RPM)	Airflow (CFM)	Noise (db)	Volts (DC)	Voltage Range	Current (Amps)	Lead Type
5414959	OD6015-12HB	4500	16	33	12	6~13.8	0.13	Wire
5414937	OD6015-12MB	3900	14	28.8	12	6~13.8	0.11	Wire
5414921	OD6015-12LB	3500	12	27	12	6~13.8	0.09	Wire
5415205	OD6015-24HB	4500	16	33.3	24	12~28	0.09	Wire
5415198	OD6015-24MB	3900	14	30.7	24	12~28	0.07	Wire
5415182	OD6015-24LB	3500	12	27.2	24	12~28	0.05	Wire

Data Tolerance +/- 10%

Drawing(mm):

*Drawing for Dimensional Reference Only

MOTOR

Brushless DC, polarity protected, locked rotor protected (current limited), auto restart

INSULATION RESISTANCE

Min. 10 M Ohms at 500VDC

LIFE EXPECTANCY (L10)

Ball Bearing 60,000 Hours

Operating Temperature

-10C ~ +70C

Safety Approvals

UL/CUL, TUV, CE