



CES KEY-OPERATED SWITCH, 22MM, ROUND, METAL, SHINY, LOCK NO. SSG10, WITH 2 KEYS, 2 SWITCH POSITIONS O-I, LATCHING, ACTUATING ANGLE 90 DEG., 10:30H/13:30H, KEY REMOVAL POS. O+I

Figure similar

product brand name		SIRIUS ACT
Product designation		Commanding and signaling devices
Design of the product		Key-operated switch

Actuator:		
Design of the operating mechanism		Key-operated switch
Manner of function of the actuating element		latching, 90° (10:30 h/13:30 h)
Product expansion optional Light source		No
Color		
• of the actuating element		Silver
Material of the actuating element		metal
Shape of the actuating element		Key
Outer diameter of the actuating element	mm	29.45
Number of switching positions		2
Switch position for key distraction		O+I
Actuating angle		
• clockwise	°	90
Lock make		CES
Key number		SSG10

Front ring:		
Product component front ring		Yes
Design of the front ring		Standard
Material of the front ring		Metal, high gloss
Color of the front ring		silver

General technical data:		
Vibration resistance		

<ul style="list-style-type: none"> <li>• acc. to IEC 60068-2-6</li> </ul>		10 ... 500 Hz: 5g
<b>Operating frequency maximum</b>	1/h	1 800
<b>Mechanical service life (switching cycles)</b>		
<ul style="list-style-type: none"> <li>• typical</li> </ul>		300 000
<b>Protection class IP</b>		
<ul style="list-style-type: none"> <li>• of the terminal</li> </ul>		IP20
<b>Equipment marking</b>		
<ul style="list-style-type: none"> <li>• acc. to DIN EN 61346-2</li> <li>• acc. to DIN EN 81346-2</li> </ul>		S S

#### Ambient conditions:

<b>Ambient temperature</b>		
<ul style="list-style-type: none"> <li>• during operation</li> </ul>	°C	-25 ... +70
<ul style="list-style-type: none"> <li>• during storage</li> </ul>	°C	-40 ... +80

#### Installation/ mounting/ dimensions:

<b>Height</b>	mm	29.45
<b>Width</b>	mm	29.45
<b>Shape of the installation opening</b>		round
<b>Mounting diameter</b>	mm	22

#### Certificates/ approvals:

#### Further information

##### Information- and Downloadcenter (Catalogs, Brochures,...)

<http://www.siemens.com/industrial-controls/catalogs>

##### Industry Mall (Online ordering system)

<http://www.siemens.com/industrymall>

##### Cax online generator

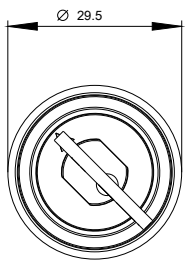
<http://support.automation.siemens.com/WW/CAXorder/default.aspx?lang=en&mlfb=3SU10505BF110AA0>

##### Service&Support (Manuals, Certificates, Characteristics, FAQs,...)

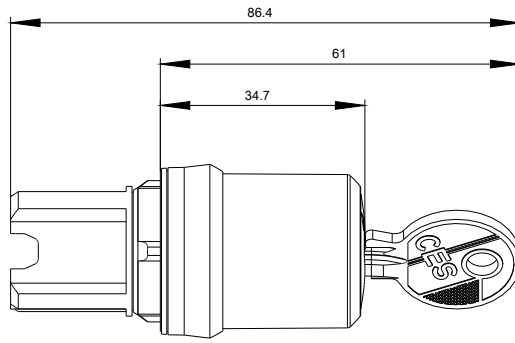
<http://support.automation.siemens.com/WW/view/en/3SU10505BF110AA0/all>

##### Image database (product images, 2D dimension drawings, 3D models, device circuit diagrams, EPLAN macros, ...)

[http://www.automation.siemens.com/bilddb/cax\\_de.aspx?mlfb=3SU10505BF110AA0&lang=en](http://www.automation.siemens.com/bilddb/cax_de.aspx?mlfb=3SU10505BF110AA0&lang=en)



last modified:



09.03.2015