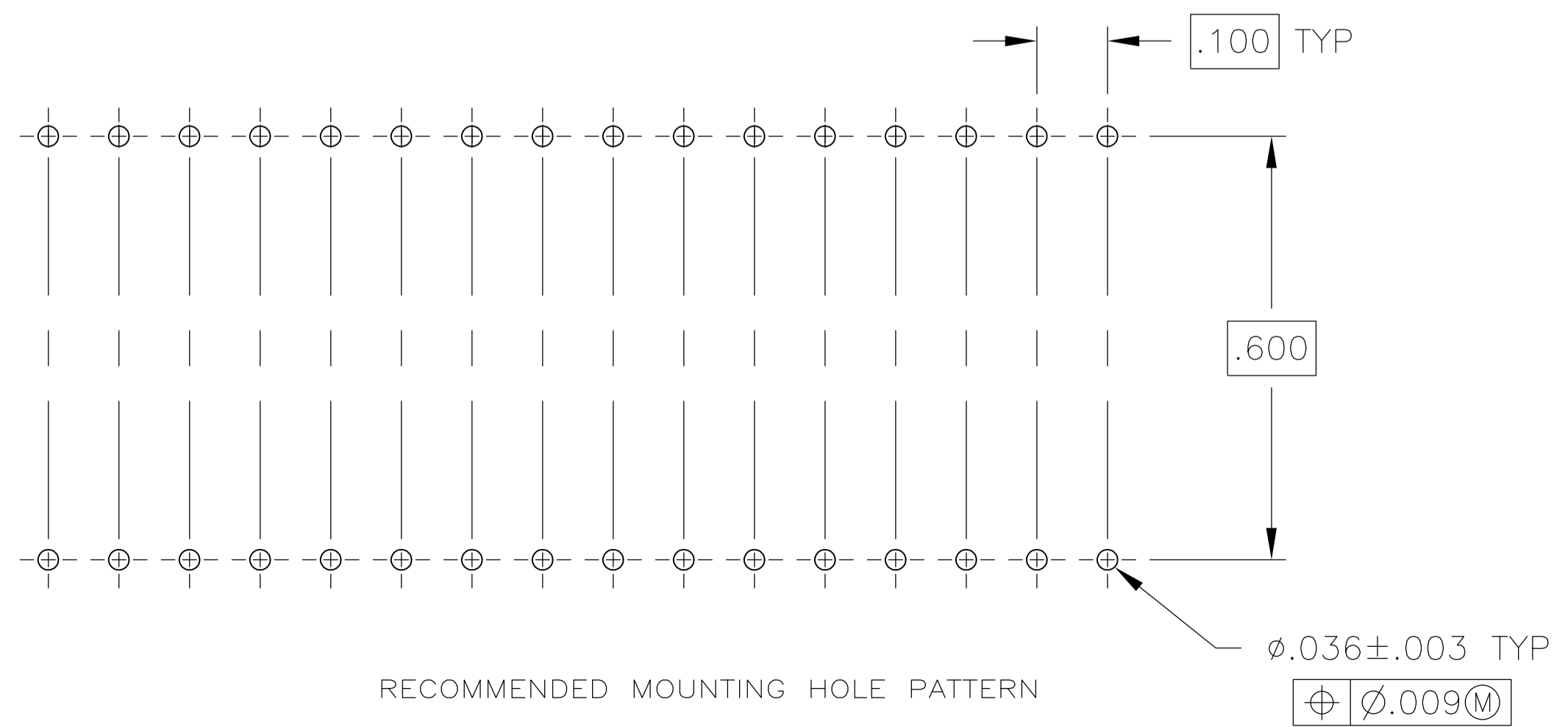
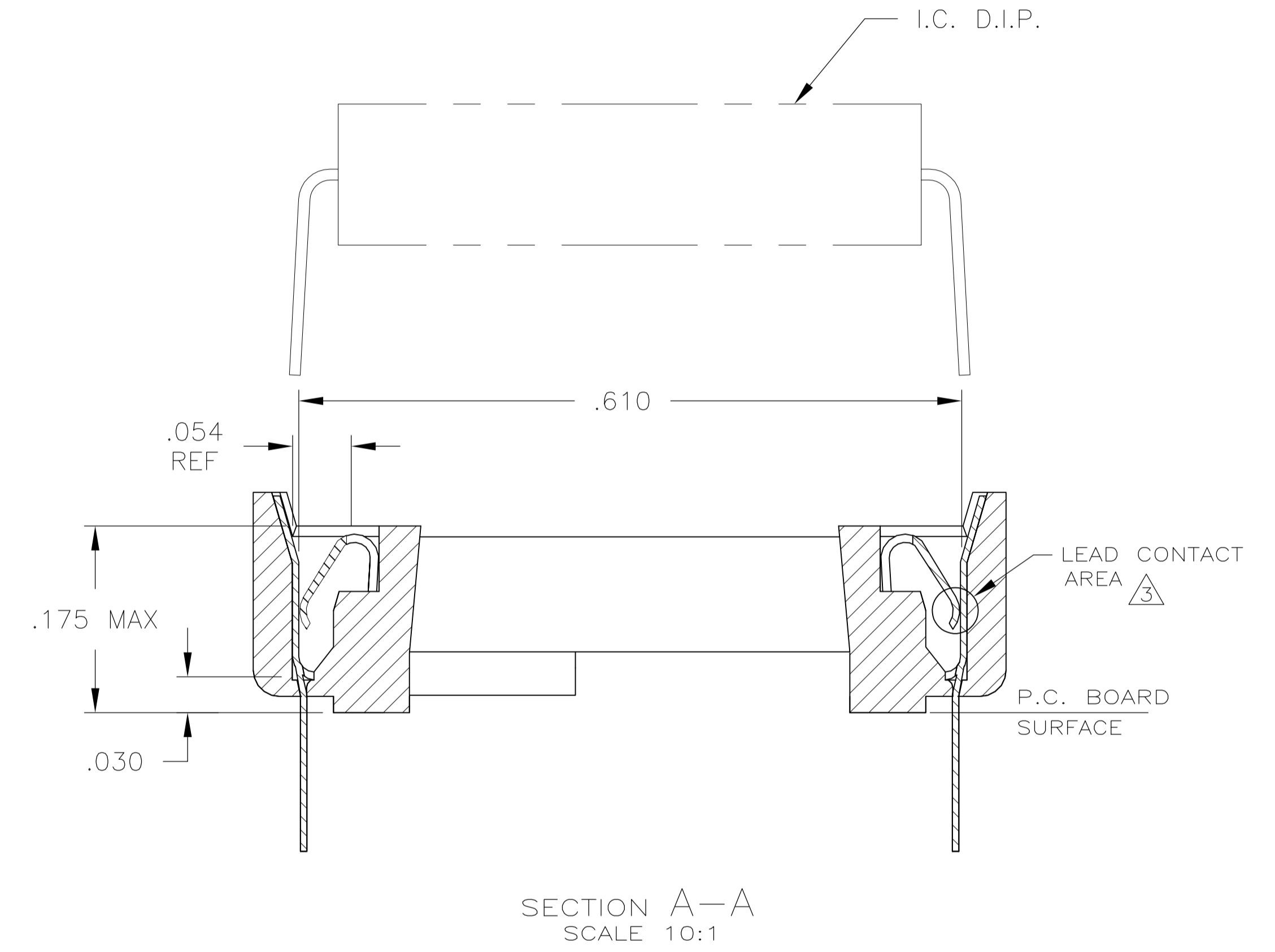
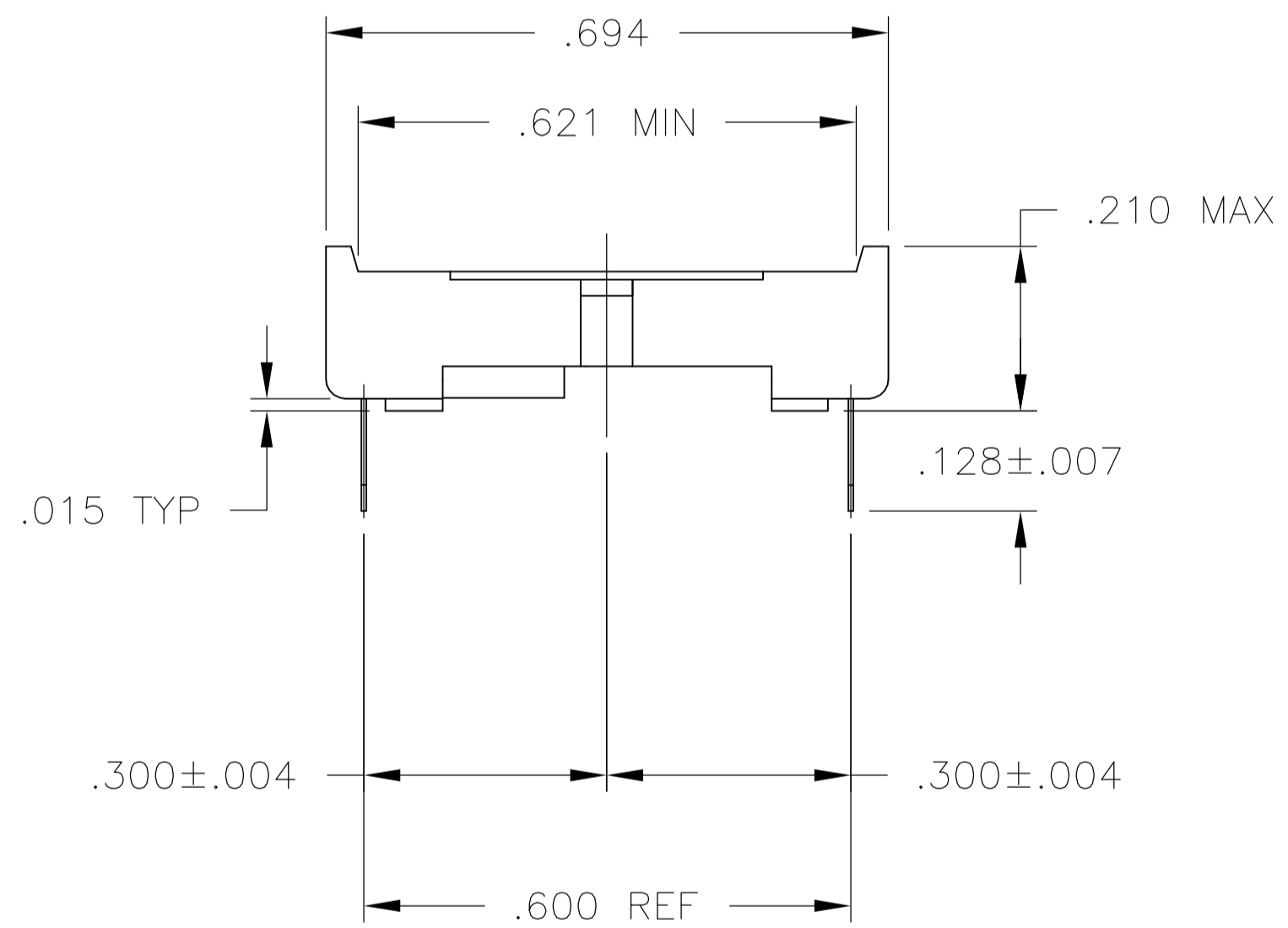
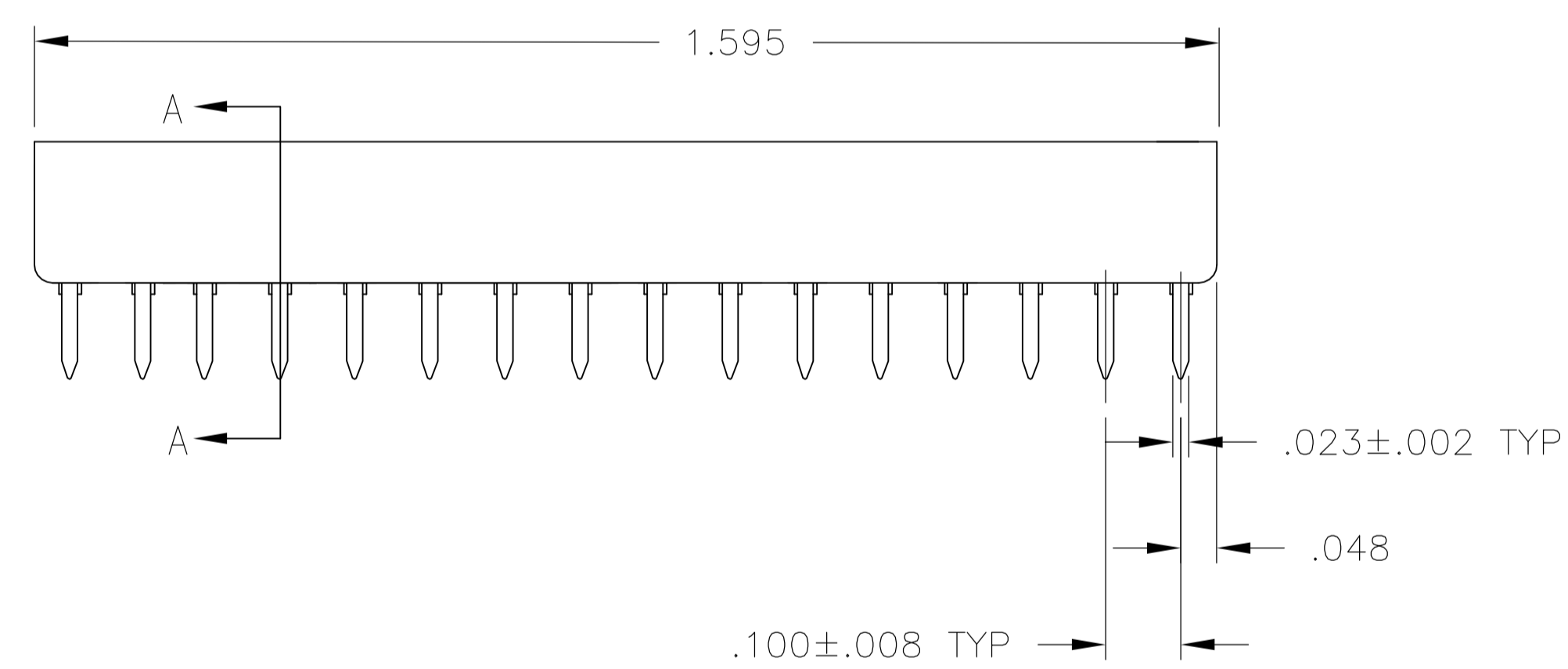
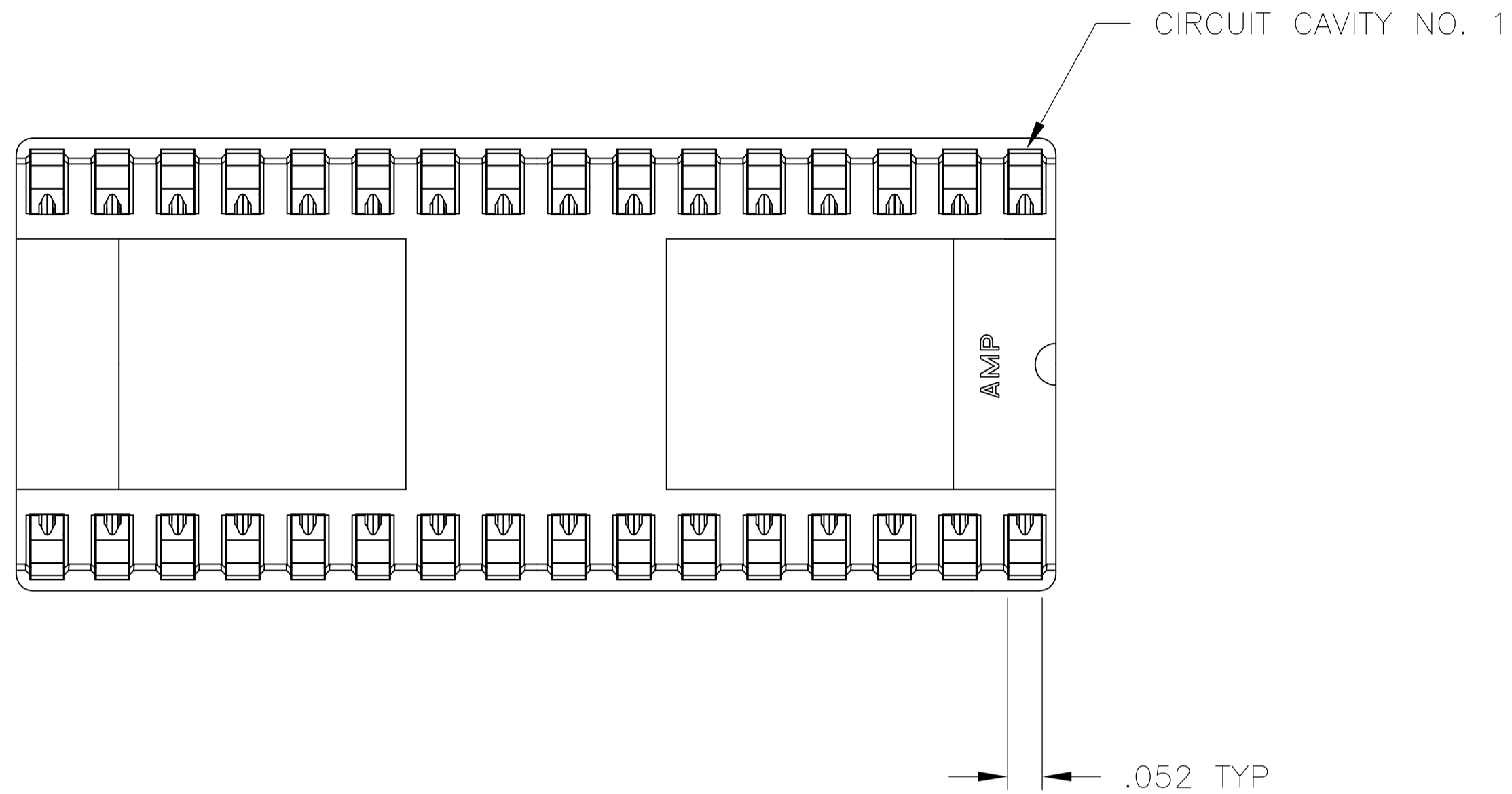


LOC		DIST		REVISIONS			
FT		REV	PER	DESCRIPTION	DATE	BY	APPROV
	64	G	REV PER	OC3C-0162-99	17NOV00	RB	HW
		G2	REVISED PER	ECR-13-013739	28AUG2013	W.W.C.W	

1. RECEPTACLE ACCEPTS A .008-.014 THICK I.C. LEAD.
2. TUBE LOADED.
3. TWO .000015 MIN THK. GOLD STRIPES IN CONTACT AREA WITH TIN-LEAD (93/7) ON SOLDER LEGS, BALANCE OF CONTACT NICKEL PLATED.
4. OBSOLETE PARTS: OBSOLETE CIS STREAMLINING PER D.RENAUD/D.SINISI



OBSOLETE	TINNED	PHOS. BRZ	BROWN GLASS-FILLED PCT	2-382470-4
		PHOS. BRZ	BLACK THERMO PLASTIC	2-382470-3
OBSOLETE	TINNED	BE.CU.	BROWN GLASS-FILLED PCT	2-382470-1
		CONTACT FINISH	CONTACT MAT'L	HOUSING MATERIAL

THIS DRAWING IS A CONTROLLED DOCUMENT.		DIN R BROWN	04JAN01	Tyco Electronics Corporation	
DIMENSIONS: INCHES		CHK H WYNKOOP	17NOV00	Harrisburg, PA 17105	
TOLERANCES UNLESS OTHERWISE SPECIFIED:		APVD H WYNKOOP	17NOV00	NAME	
0. PLC	± -	PRODUCT SPEC		SOCKET ASSY, DIP, HT, 32 POS, DIPLOMATE™ DL	
1. PLC	± -	108-1066			
2. PLC	± -	APPLICATION SPEC			
3. PLC	± .005	114-1052			
4. PLC	± -				
ANGLES	± -				
MATERIAL SEE TABLE	FINISH SEE TABLE	WEIGHT	A1 00779	SIZE CAGE CODE DRAWING NO	RESTRICTED TO
			382470	A1 00779 C=382470	
CUSTOMER DRAWING			SCALE 5:1	SHEET 1 OF 1	REV G2