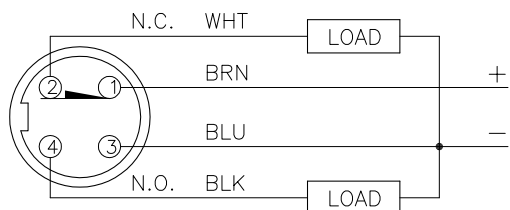
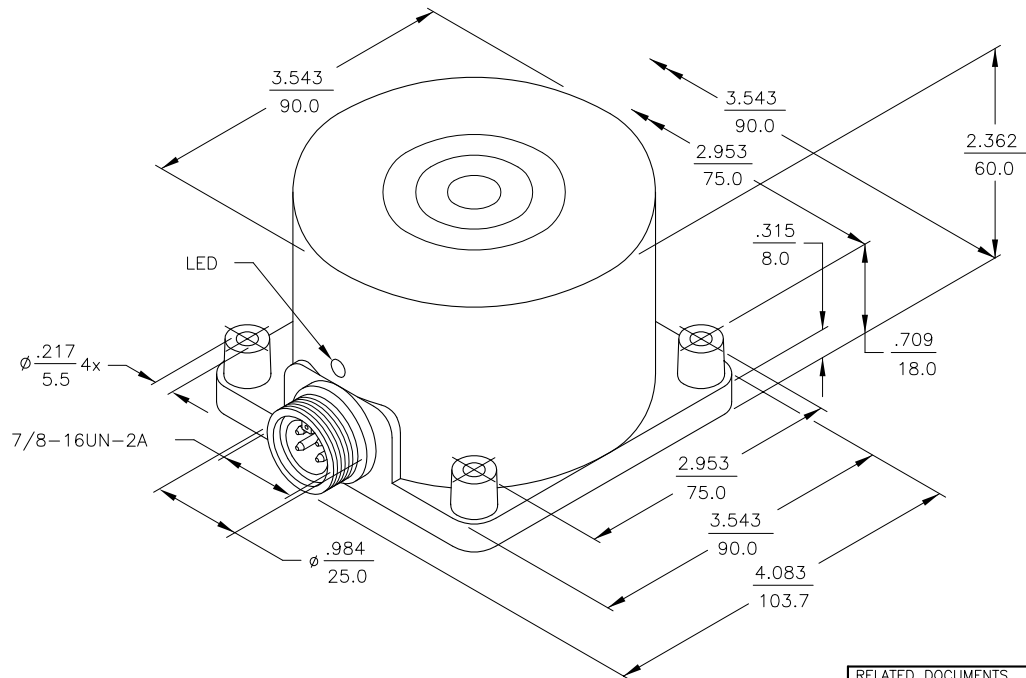


WIRING DIAGRAM



OUTPUT: VP4X

SHORT-CIRCUIT AND OVERLOAD PROTECTED



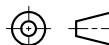
SPECIFICATIONS

OPERATING VOLTAGE	10-65 VDC
RIPPLE	≤ 10%
DIFFERENTIAL TRAVEL (HYSTERESIS)	3-15% (5% TYPICAL)
VOLTAGE DROP ACROSS CONDUCTING SENSOR	≤ 1.8 V at 200 mA
OUTPUT FUNCTION	COMPLEMENTARY OUTPUT ONE N.O., ONE N.C. (SPDT)
TTL COMPATIBLE	NO
SHORT-CIRCUIT PROTECTED	YES
TRIGGER CURRENT FOR OVERLOAD PROTECTION	≥ 220 mA
CONTINUOUS LOAD CURRENT	≤ 200 mA
OFF-STATE (LEAKAGE) CURRENT	< 10µ A
NO-LOAD CURRENT	4.0-9.5 mA
TIME DELAY BEFORE AVAILABILITY	≤ 25 ms
POWER-ON EFFECT PROTECTION	INCORPORATED
REVERSE POLARITY PROTECTION	INCORPORATED
WIRE-BREAK PROTECTION	INCORPORATED
PROTECTION AGAINST TRANSIENTS	2 kV, 1 ms, 1 kΩ
OPERATING TEMPERATURE	-25°C to +70°C (-13°F to +158°F)
ENCLOSURE	MEETS NEMA 1, 3, 4, 6, 13 AND IEC IP67
SHOCK	30 g, 11 ms
VIBRATION	55 Hz, 1 mm AMPLITUDE (IN ALL 3 PLANES)
LED FUNCTION	RED: OUTPUT ENERGIZED
SENSING RANGE	60 mm = 2.362" (NOMINAL)
SWITCHING FREQUENCY	100 Hz
REPEATABILITY	≤ 2% of RATED OPERATING DISTANCE
EMBEDDABLE (SHIELDED)	NO

RELATED DOCUMENTS

- 1.
- 2.
- 3.
- 4.

3RD ANGLE PROJECTION



THIS DRAWING IS PROPERTY OF TURCK INC. USE OF THIS DOCUMENT WITHOUT WRITTEN PERMISSION IS PROHIBITED.

**TURCK INC**  
High Technology Sensors and Automation Controls

3000 CAMPUS DRIVE  
MINNEAPOLIS, MN 55441  
1-800-544-7769  
(763) 553-7300  
(763) 553-0708 fax  
turck.com

MATERIAL  
PBT-GF30-VO  
PLASTIC

ALL DIMENSIONS DISPLAYED ON THIS DRAWING ARE FOR REFERENCE ONLY

FINISH

CONTACT TURCK FOR MORE INFORMATION

DRFT GMB DATE 12/18/89  
DSGN SCALE NONE

UNIT OF MEASUREMENT  
**INCH [ MILLIMETER ]**

DO NOT SCALE THIS DRAWING

DESCRIPTION  
Ni60-K90-VP4X-B2141

IDENTIFICATION NO. M1510300  
REV B

B	UPDATE TO CURRENT TITLEBLOCK	RDS	07/16/02	5504
REV	DESCRIPTION	BY	DATE	ECO NO.