

Slider for profiles

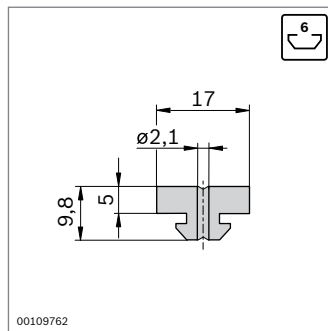
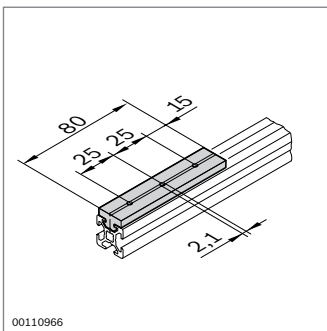


Slider

- For the construction of low-wear guides, e.g. for manual sliding and sliding and lifting doors, as well as drawer slides

Optional accessories:

Sheet metal screws for fastening the slider in a profile slot



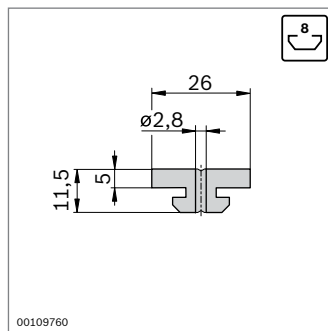
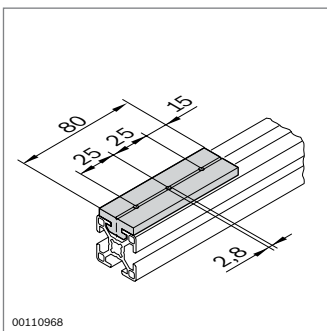
Slider, flat



No.

10 **3 842 523 213**

Material: POM; natural



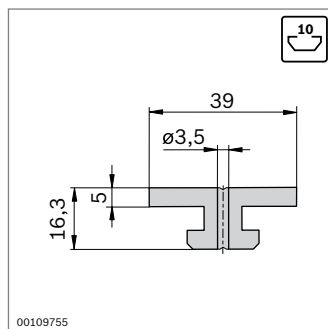
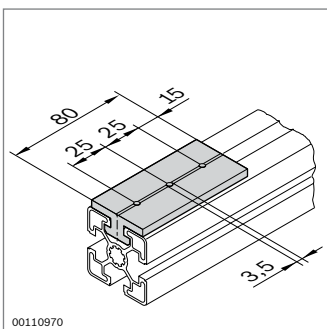
Slider, flat



No.

10 **3 842 523 212**

Material: POM; natural



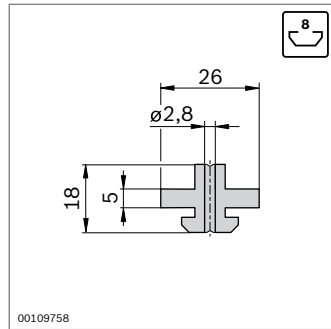
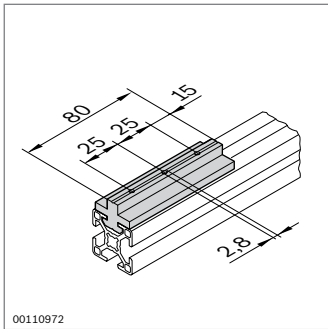
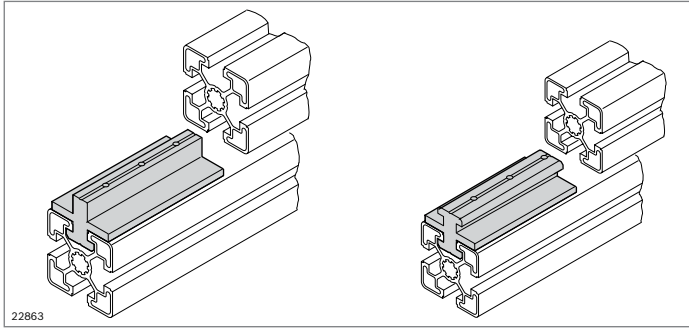
Slider, flat



No.

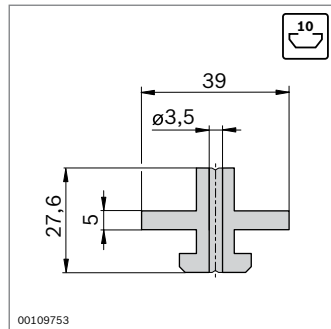
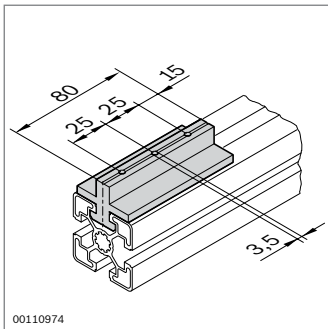
10 **3 842 530 329**

Material: POM; natural



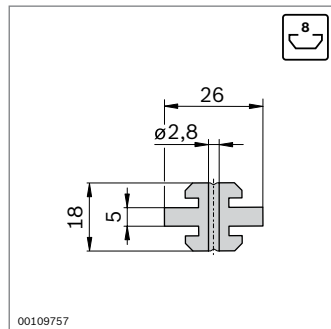
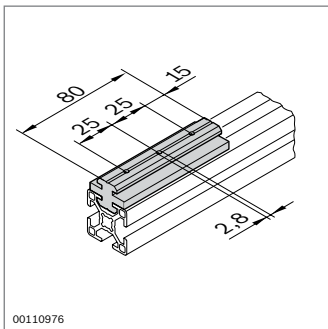
Slider, center	No.
	10 3 842 523 210

Material: POM; natural



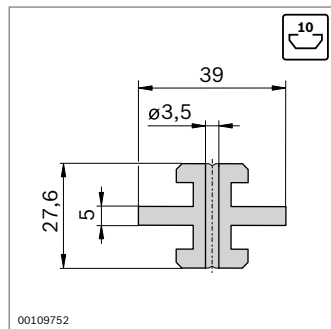
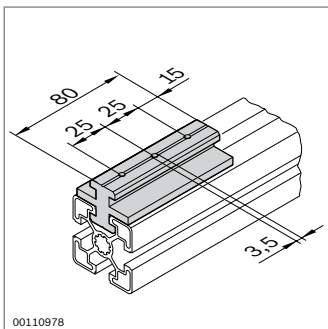
Slider, center	No.
	10 3 842 523 206

Material: POM; natural



Slider, center	No.
	10 3 842 523 209

Material: POM; natural



Slider, center	No.
	10 3 842 523 205

Material: POM; natural