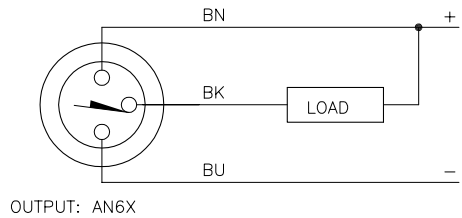


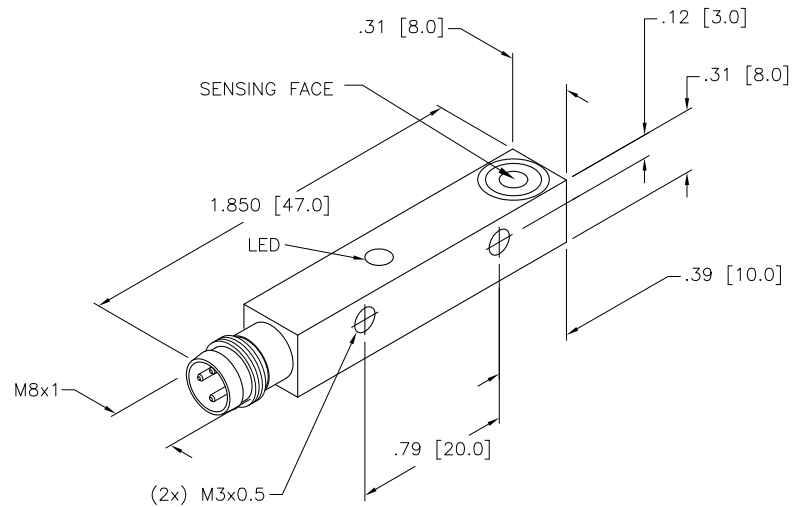
WIRING DIAGRAM



SHORT-CIRCUIT AND OVERLOAD PROTECTED

SPECIFICATIONS

| | |
|-----------------------------|---|
| RATED OPERATING DISTANCE | 4mm = .158" |
| MOUNTING MODE | FLUSH/NON-FLUSH |
| TEMPERATURE DRIFT | ≤±10% ≤±15%, ≤ -25°C v ≥ +70°C |
| HYSTERESIS | 3-15% |
| MIN. REPEAT ACCURACY | ≤ 2% |
| OPERATING TEMPERATURE | -30°C to +85°C (-22°F to +185°F) |
| RATED OPERATIONAL VOLTAGE | 10-30 VDC |
| MAX. RIPPLE | ≤10% |
| RATED OPERATIONAL CURRENT | ≤ 150 mA |
| NO-LOAD CURRENT | ≤ 15 mA |
| MAX. OFF-STATE CURRENT | ≤ 0.1 mA |
| RATED INSULATION VOLTAGE | ≤ 0.5 kV |
| SHORT-CIRCUIT PROTECTED | YES |
| MAX. VOLTAGE DROP | ≤1.8 V |
| REVERSE POLARITY PROTECTION | YES |
| WIRE-BREAK PROTECTION | YES |
| OUTPUT FUNCTION | 3-WIRE, NORMALLY OPEN, npn |
| MAX. SWITCHING FREQUENCY | ≤ 1 kHz |
| HOUSING MATERIAL | PLASTIC, PP, YELLOW |
| ACTIVE FACE | PLASTIC, PP, YELLOW |
| CABLE | ∅3.0, Lify-11Y, TPU, 2 METER LENGTH |
| SHOCK | 30 g, 11 ms |
| VIBRATION | 55 Hz, 1 mm AMPLITUDE (IN ALL 3 PLANES) |
| DEGREE OF PROTECTION | IP68 |
| SWITCHING STATUS INDICATION | LED; YELLOW |



SOURCE DRAWING - FOR REFERENCE ONLY

| | | | | | |
|---|---------------------------------------|---|---------------------|---|--------------------------------------|
| RELATED DOCUMENTS 1. 2. 3. 4. | 3RD ANGLE PROJECTION | THIS DRAWING IS PROPERTY OF TURCK INC. USE OF THIS DOCUMENT WITHOUT WRITTEN PERMISSION IS PROHIBITED. | | 3000 CAMPUS DRIVE MINNEAPOLIS, MN 55441 1-800-544-7769 (763) 553-7300 (763) 553-0708 fax turck.com | |
| | MATERIAL SEE NOTE | ALL DIMENSIONS DISPLAYED ON THIS DRAWING ARE FOR REFERENCE ONLY | DRFT RDS DSGN EH | DATE 03/02/06 SCALE 1=1.0 | DESCRIPTION NI 4U-Q8SE-AN6X-V1131 |
| FINISH | CONTACT TURCK FOR MORE INFORMATION | UNIT OF MEASUREMENT INCH [MILLIMETER] | | IDENTIFICATION NO. S4635810 | REV B |
| B DRAWING PROCESSED AS PART OF ECO 33971 REV DESCRIPTION | CBM 04/06/11 33971 BY DATE ECO NO. | DO NOT SCALE THIS DRAWING | | FILE: S4635810 | SHEET 1 OF 1 |

| | | | | |
|-----|--|-----|----------|---------|
| B | DRAWING PROCESSED AS PART OF ECO 33971 | CBM | 04/06/11 | 33971 |
| REV | DESCRIPTION | BY | DATE | ECO NO. |