


50106202	DATA SHEET	
Valid from: 11.10.2019	ZYLIN[®] R 2.5 Type G1 GASKET	

Description

- Gasket for use with ZYLIN[®] R2.5 G1 flange housing



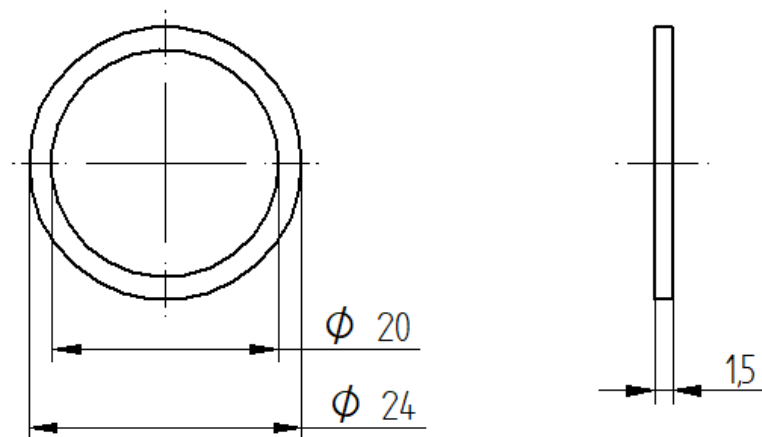
General characteristics

Series ZYLIN[®] R 2.5
Type G1

Materials and surfaces

Gaskets NBR

Technical Drawings



Remark

Photographs are not to scale and do not represent detailed images of the respective products.

Creator: STKU3/PDP Released: IVSE1/PDP	Document: DB50106202EN Version: 00	Page 1 of 1
---	---------------------------------------	-------------