

## DETAILS

<b>Product Number</b>	C11979_LENA-S
<b>Family</b>	Lena
<b>Type</b>	Reflector
<b>Color</b>	metal
<b>Diameter</b>	111 mm
<b>Height</b>	80 mm
<b>Style</b>	round
<b>Optic Material</b>	PC
<b>Holder Material</b>	
<b>Fastening</b>	
<b>Status</b>	ready
<b>ROHS Compliant</b>	Yes
<b>Date Updated</b>	10/03/2015



## OPTICAL PROPERTIES

LED	Viewing Angle	Light Beam	Efficiency	cd/lm	Connector
CXA/B 30xx	sim: 14	Spot	sim: 87 %	sim: 7.500	IDEAL: 50-2234C + Lena(50-2100LN)
CLL04x/CLU044	16 deg	Spot	85 %	5.200	IDEAL: 50-2204-CT + Lena(50-2100LN)
CLL04x/CLU044	17 deg	Spot	78 %	4.800	A.A.G. STUCCHI: 8102/G2 + S-8000/12

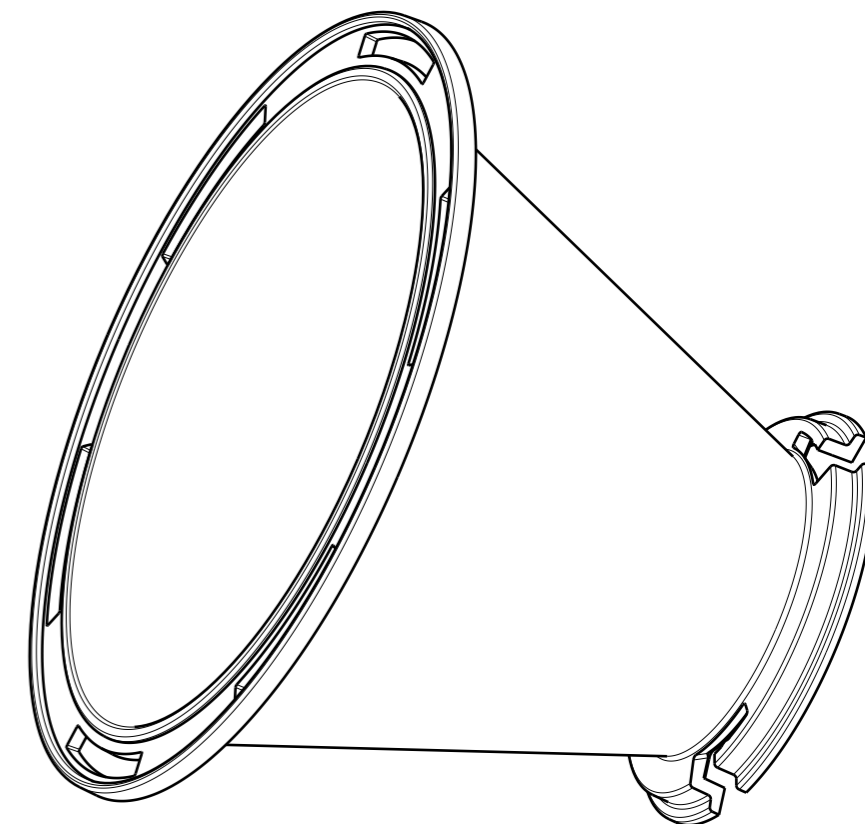
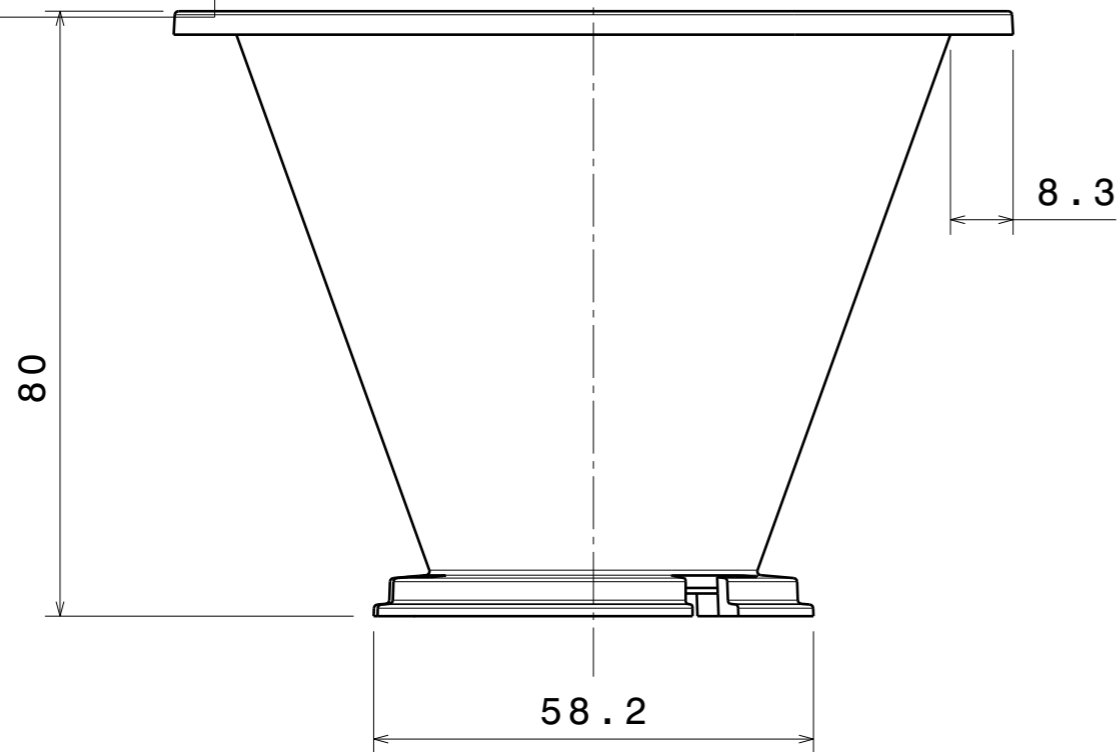
This drawing applies to:

C11979\_LENA-S

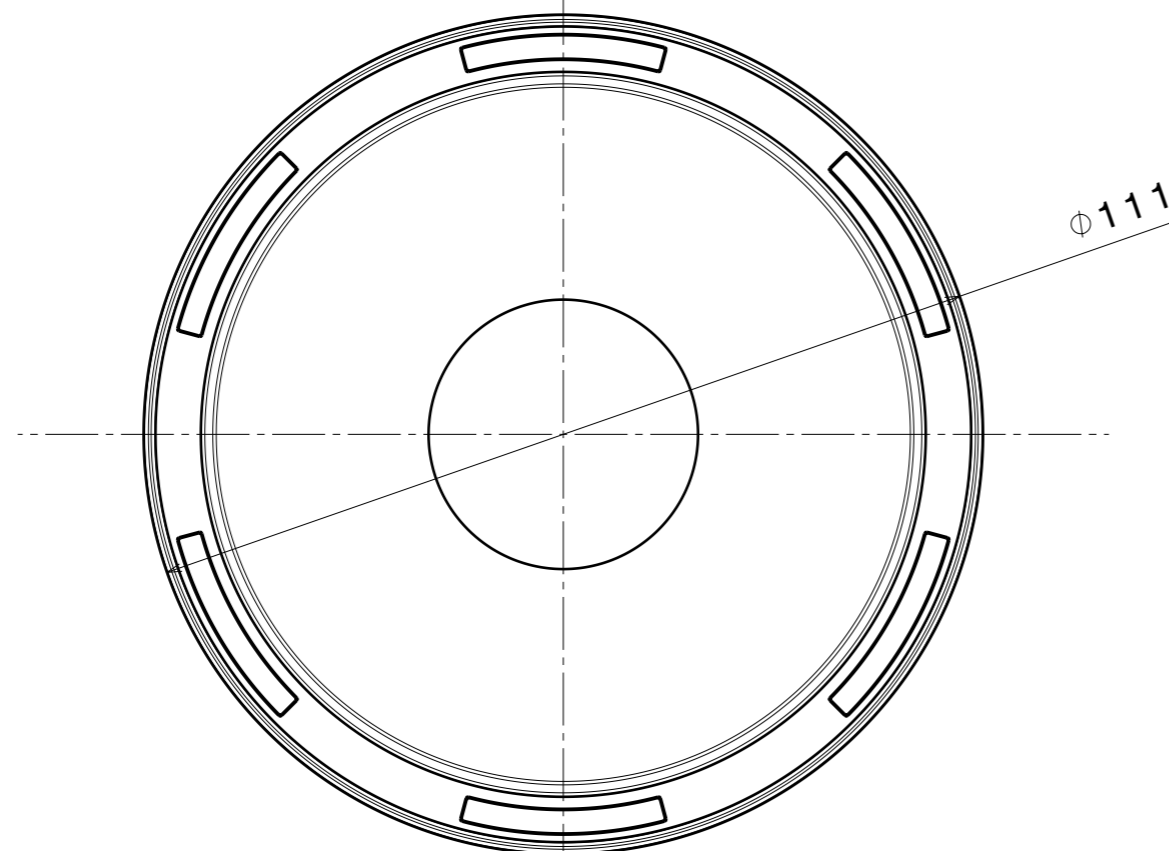
C12154\_LENA-M

C11980\_LENA-W

C13117\_LENA-SS



Isometric view



INDEX	DESCRIPTION	MATERIAL
1	Lena-Reflector	PC

Tolerances if not otherwise shown  
 According to DIN ISO 2768-1  
 Linear measures:  
 Up to 30mm class M, otherwise class C.  
 According to DIN ISO 2768-2  
 Form and position: class L



Ledil Oy  
 Salorankatu 10  
 FIN 24240 SALO  
 Finland

THIRD ANGLE PROJECTION:

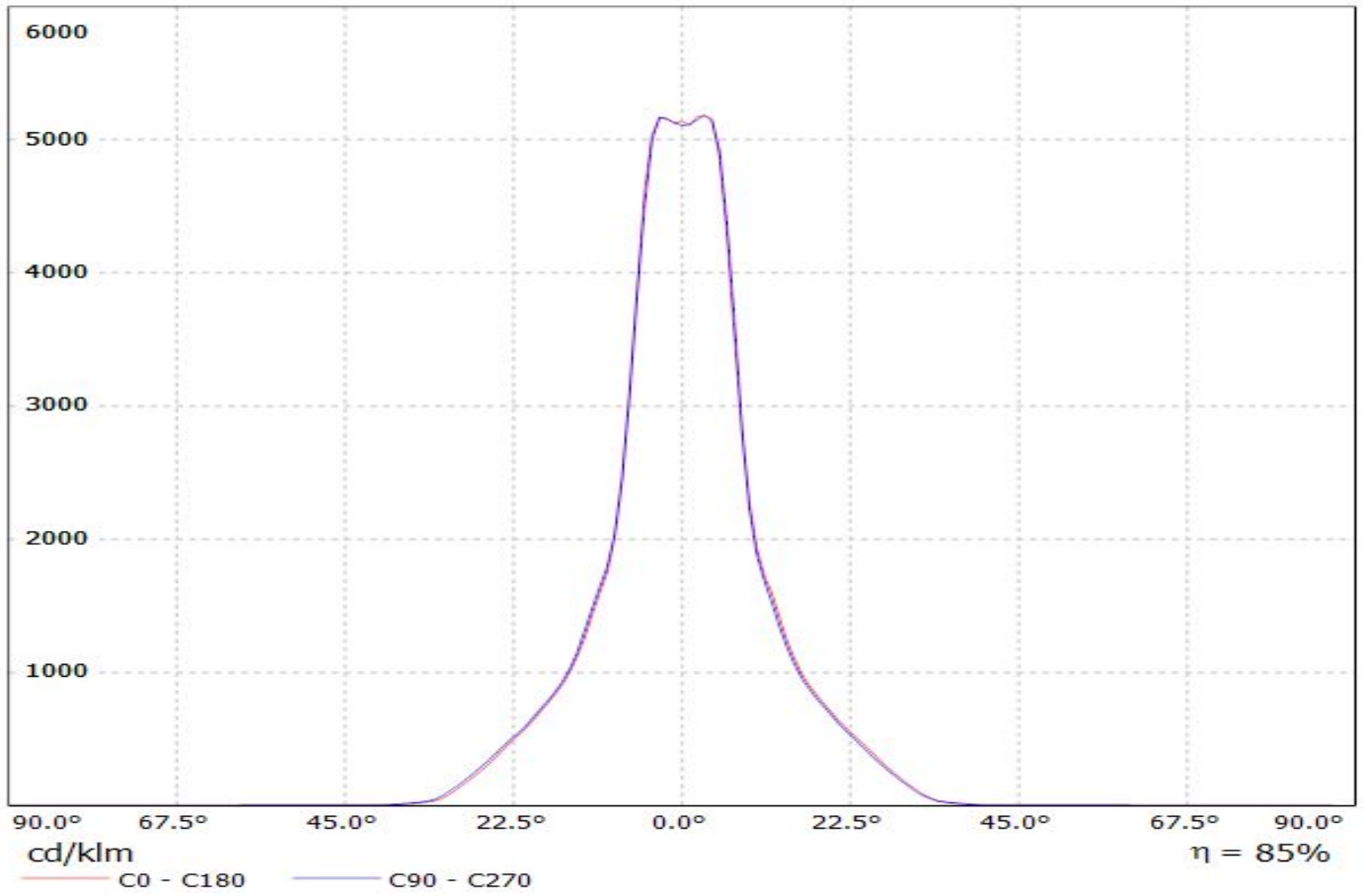
DRAWING TITLE  
**LENA reflector family**

This drawing is the property  
 of LEDiL Oy. It may not be  
 reproduced, copied or  
 communicated without a written  
 agreement with LEDiL Oy."

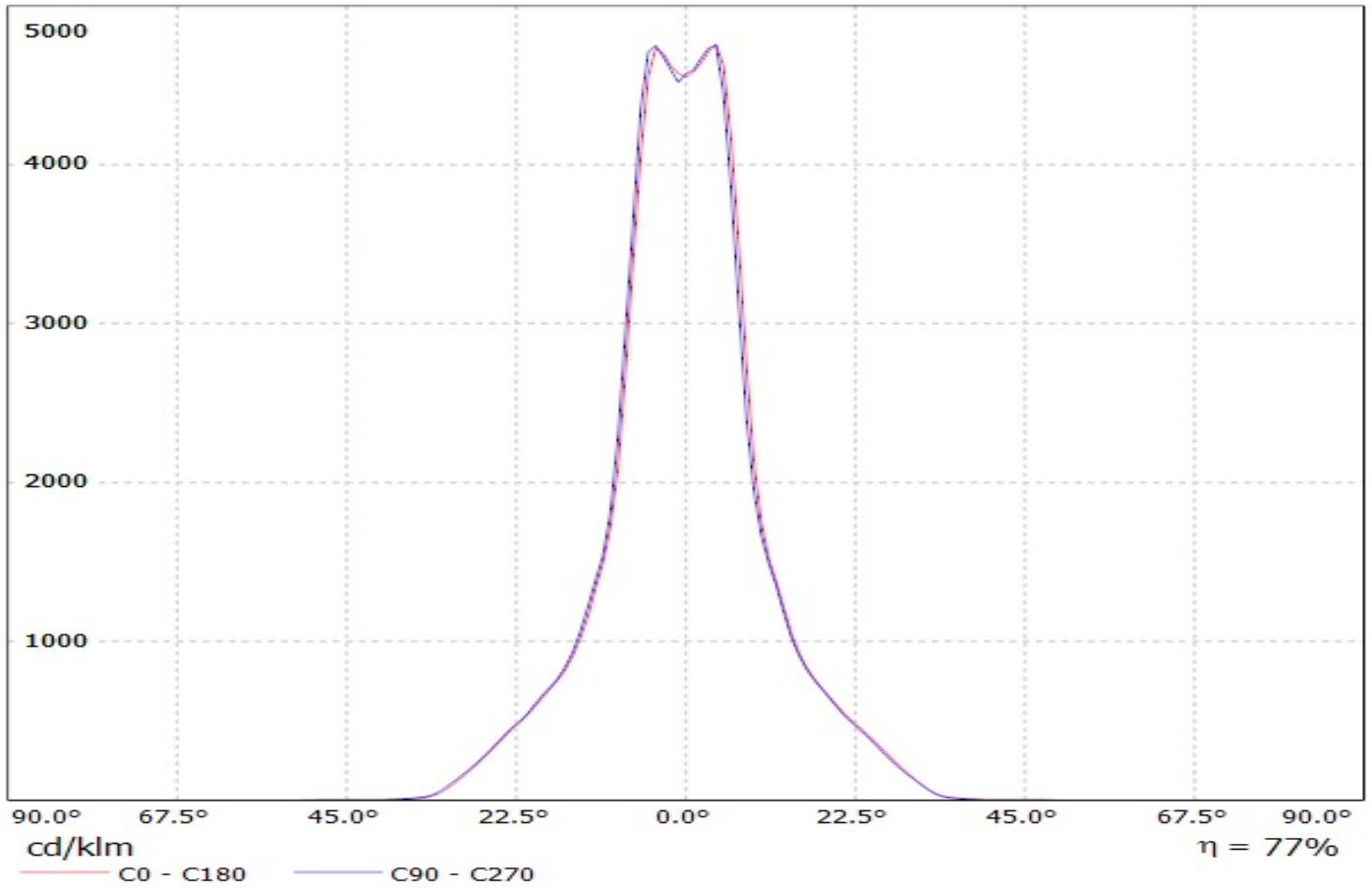
SIZE	PART NUMBER		WEIGHT (g)		SHEET
A3	-				1/1
SCALE	1:1				

Luminaire: LEDiL Oy C11979\_LENA-S\_(CLL040)

Lamps: 1 x Citizen\_CLL040\_(CLL040-1218A-50KL1A1)\_1156.98lm@250mA\_P=8.26164W\_I=249.8mA

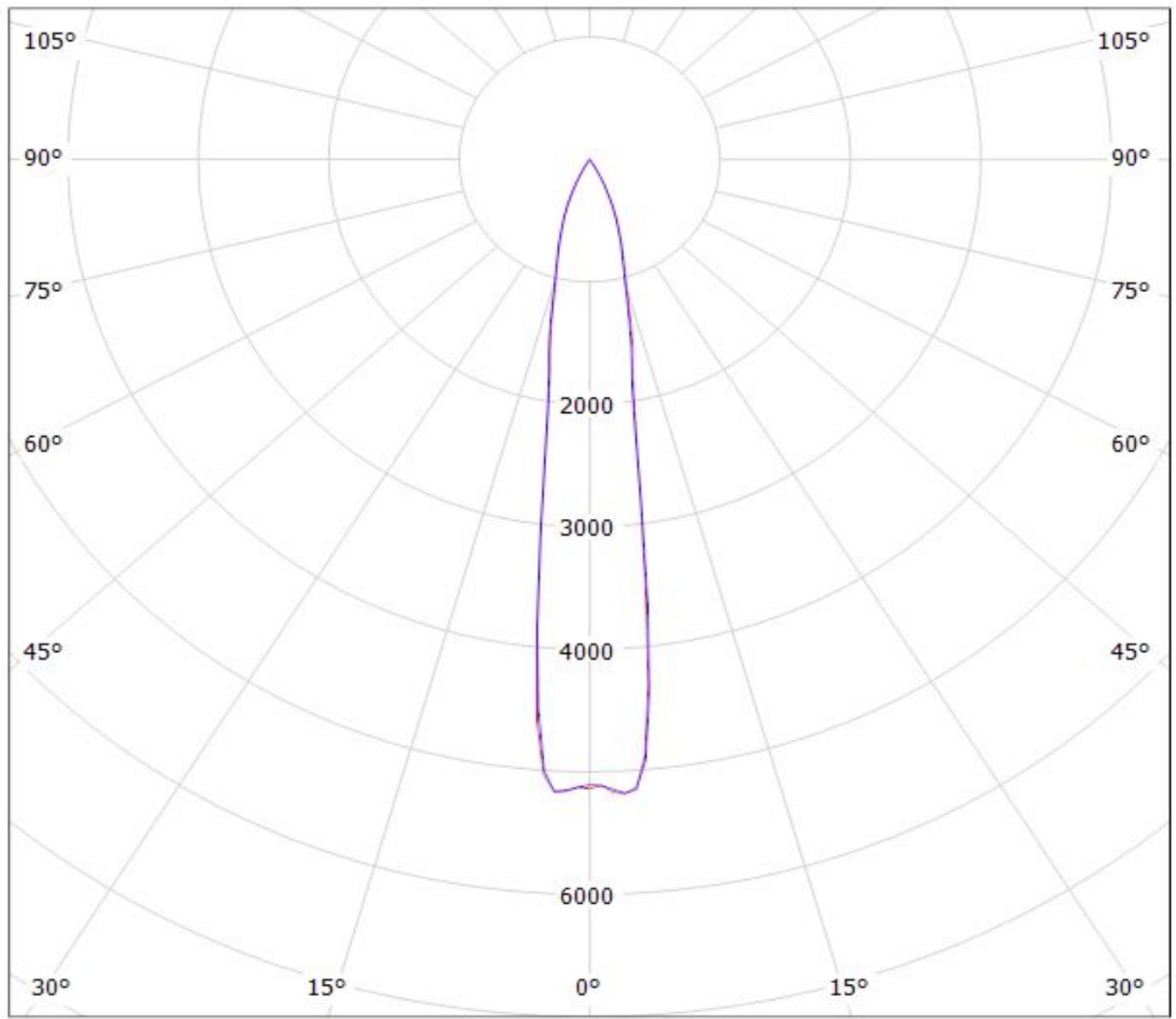


Luminaire: LEDiL Oy C11979\_LENA-S\_(CLU044\_+\_8102-G2\_+\_S-8000-12)  
Lamps: 1 x Citizen\_CLU044\_(1212B8-303M1A2)\_546.982lm@100mA\_P=3.2W\_I=0.1A



Luminaire: LEDiL Oy C11979\_LENA-S\_(CLL040)

Lamps: 1 x Citizen\_CLL040\_(CLL040-1218A-50KL1A1)\_1156.98lm@250mA\_P=8.26164W\_I=249.8mA

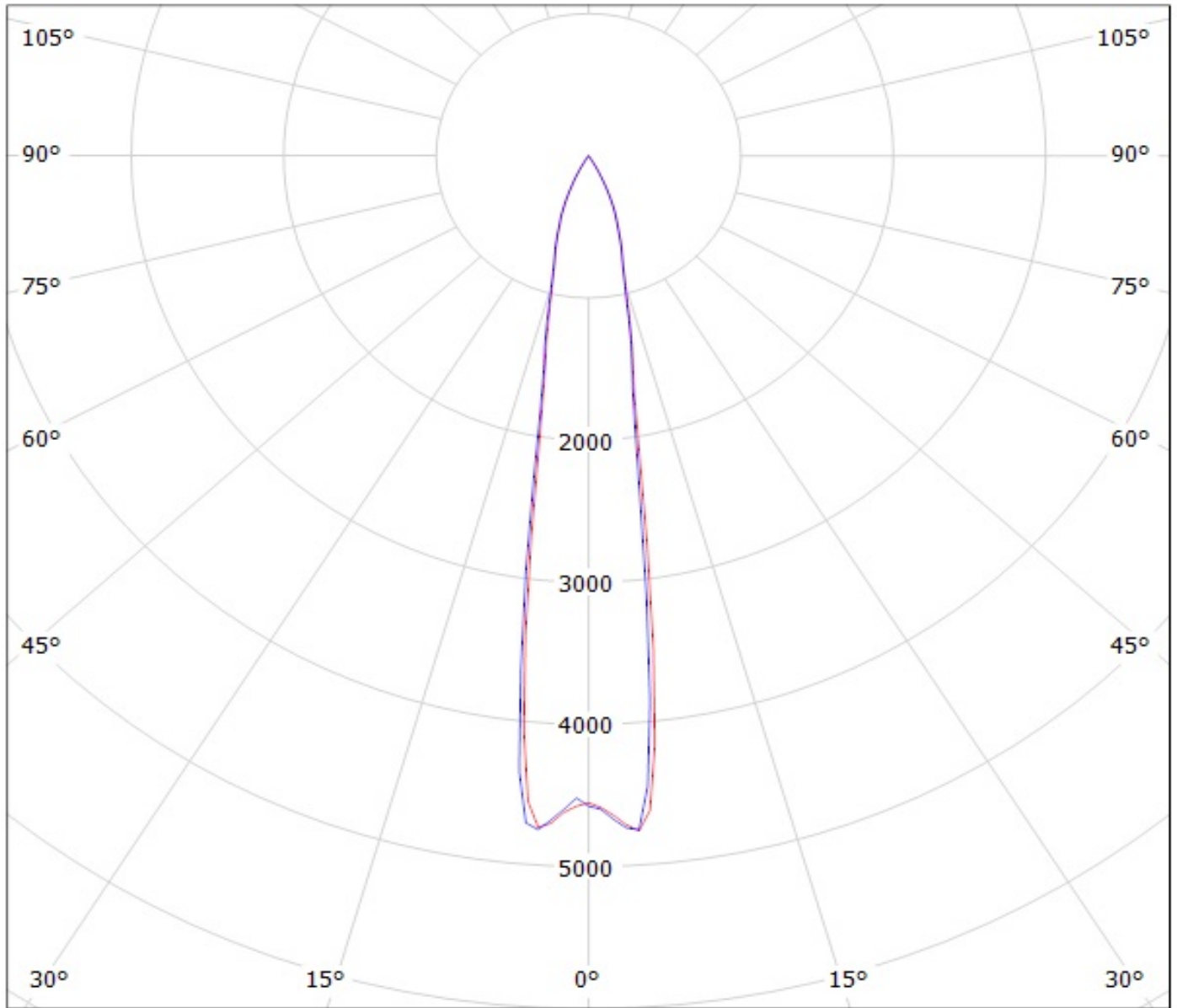


cd/klm

$\eta = 85\%$

— C0 - C180    — C90 - C270

Luminaire: LEDiL Oy C11979\_LENA-S\_(CLU044+\_8102-G2+\_S-8000-12)  
Lamps: 1 x Citizen\_CLU044\_(1212B8-303M1A2)\_546.982lm@100mA\_P=3.2W\_I=0.1A



cd/klm

— C0 - C180    — C90 - C270

$\eta = 77\%$

**NOTE: The typical divergence will be changed by different color, chip size and chip position tolerance. The typical total divergence is the full angle measured where the luminous intensity is half of the peak value.**

#### **GENERAL INFORMATION**

- Product series especially designed & optimized for series of LEDs.
- Special care taken to make light distribution as uniform as possible.
- Reflector is made of aluminium coated PC (120 degrees of Celcius / 248 degrees of Fahrenheit) with protective lacquer (short term 100 degrees of Celcius / 212 degrees of Fahrenheit).

Note! Due to use of high power COB's with this product, special attention to proper thermal design is highly recommended. LEDiL has no liability for direct, indirect or consecutive damages arising from the LEDiL products being used outside of the recommended temperature range.