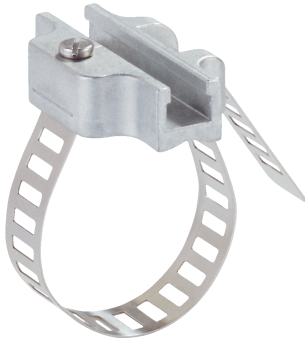


BEF-KHZ-RT1-63

SICK
Sensor Intelligence.



Ordering information

Type	Part no.
BEF-KHZ-RT1-63	2077683

Other models and accessories → www.sick.com/

Detailed technical data

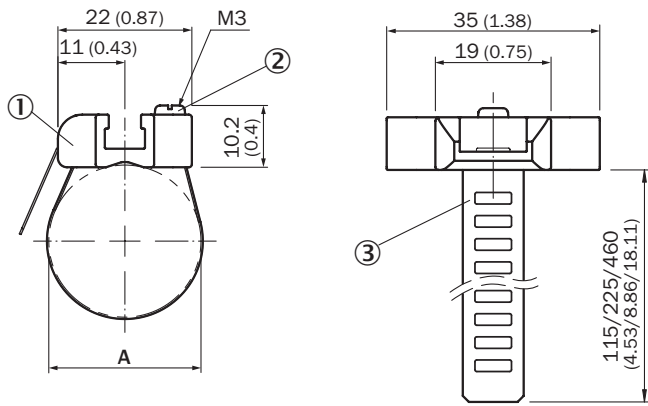
Technical specifications

Accessory group	Brackets for cylinder sensors
Accessory family	For round body cylinders
Suitable for	T-slot
Material	Stainless steel, Zinc cast
Packing unit	1 piece
Description	Mounting bracket on round body cylinder with piston diameter of 8 mm ... 63 mm, ambient temperature min -30 °C max 80 °C

Classifications

ECl@ss 5.0	27279202
ECl@ss 5.1.4	27279202
ECl@ss 6.0	27279202
ECl@ss 6.2	27279202
ECl@ss 7.0	27279202
ECl@ss 8.0	27279202
ECl@ss 8.1	27279202
ECl@ss 9.0	27273701
ETIM 5.0	EC002024
ETIM 6.0	EC002024
UNSPSC 16.0901	32131023

Dimensional drawing (Dimensions in mm (inch))



- ① Sensoradapter with T-slot
- ② Fixing screw
- ③ Strap

2077682	BEF-KHZ-RT1-25	8 ... 25
2077683	BEF-KHZ-RT1-63	8 ... 63
2077684	BEF-KHZ-RT1-130	8 ... 130

SICK AT A GLANCE

SICK is one of the leading manufacturers of intelligent sensors and sensor solutions for industrial applications. A unique range of products and services creates the perfect basis for controlling processes securely and efficiently, protecting individuals from accidents and preventing damage to the environment.

We have extensive experience in a wide range of industries and understand their processes and requirements. With intelligent sensors, we can deliver exactly what our customers need. In application centers in Europe, Asia and North America, system solutions are tested and optimized in accordance with customer specifications. All this makes us a reliable supplier and development partner.

Comprehensive services complete our offering: SICK LifeTime Services provide support throughout the machine life cycle and ensure safety and productivity.

For us, that is “Sensor Intelligence.”

WORLDWIDE PRESENCE:

Contacts and other locations –www.sick.com