



PRODUCT DATASHEET

Eva series

last update 23/5/2014

DETAILS

Product Number	CA14402_EVA-M
Family	Eva
Type	Assembly
Color	black
Diameter	37.7 mm
Height	17.2 mm
Style	round
Optic Material	PMMA
Holder Material	PC
Fastening	pin, tape
Status	ready
ROHS Compliant	Yes
Date Updated	23/05/2014



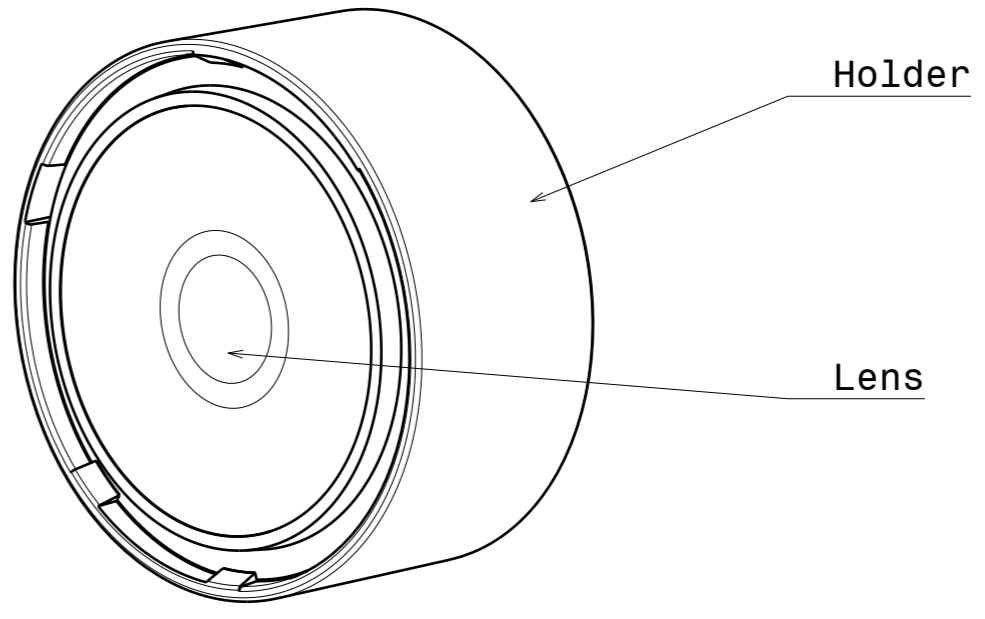
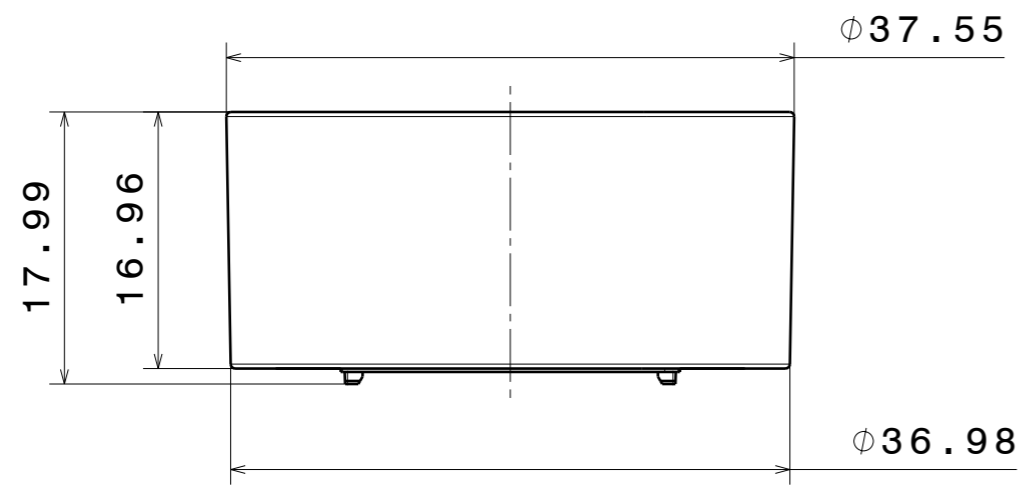
OPTICAL PROPERTIES

LED	Viewing Angle	Light Beam	Efficiency	cd/lm	Connector
LUXEON M	26 deg	Medium	87 %	2.800	-

H G F E D C B A

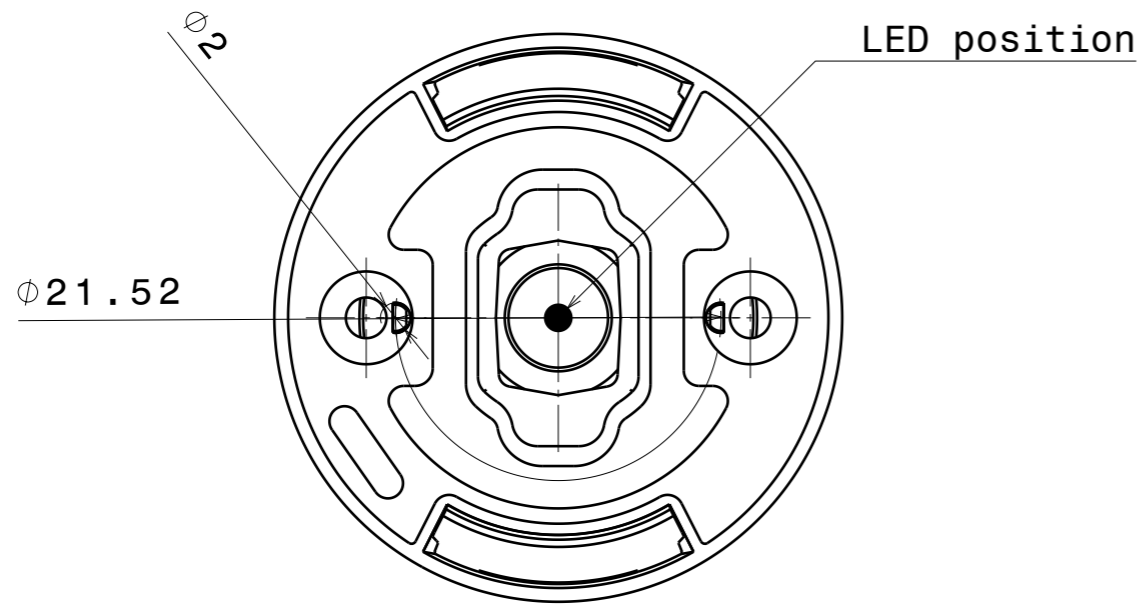
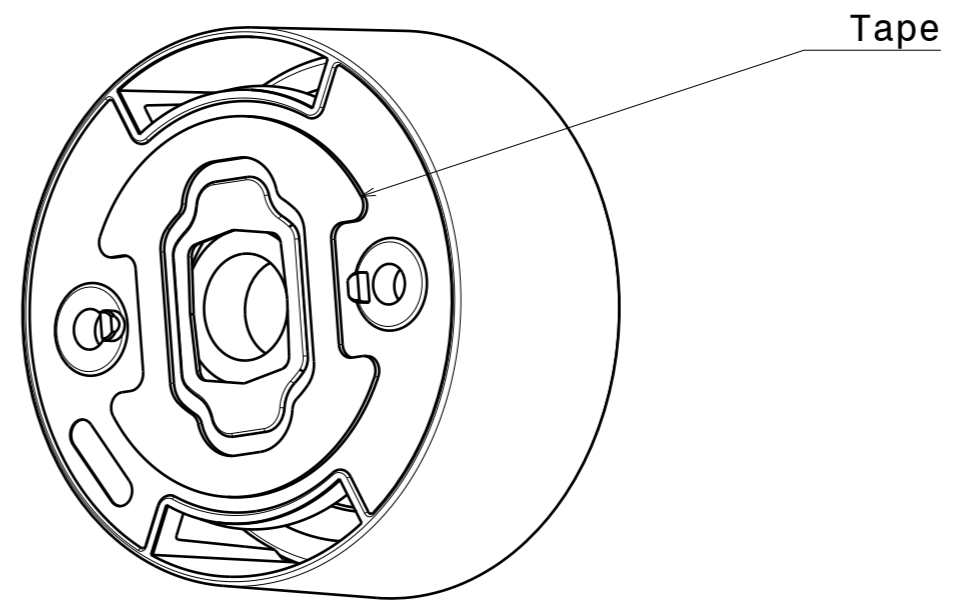
4

4



3

3



2

2

INDEX	PART NO	MATERIAL	COLOUR
1	Holder	PC	Black
2	Lens	PMMA	Clear
3	Tape	-	Black

Tolerances if not otherwise shown
 According to DIN ISO 2768-1
 Linear measures: class C
 According to DIN ISO 2768-2
 Form and position: class L

LEDiL LediL Oy
 Salorankatu 10
 FIN 24240 SALO
 Finland

THIRD ANGLE PROJECTION:

DRAWING TITLE
CA14402_EVA-M

This drawing is the property of LEDiL Oy. It may not be reproduced, copied or communicated without a written agreement with LEDiL Oy.

SIZE **A3** PART NUMBER **CA14402**

SCALE **2:1** WEIGHT **-**

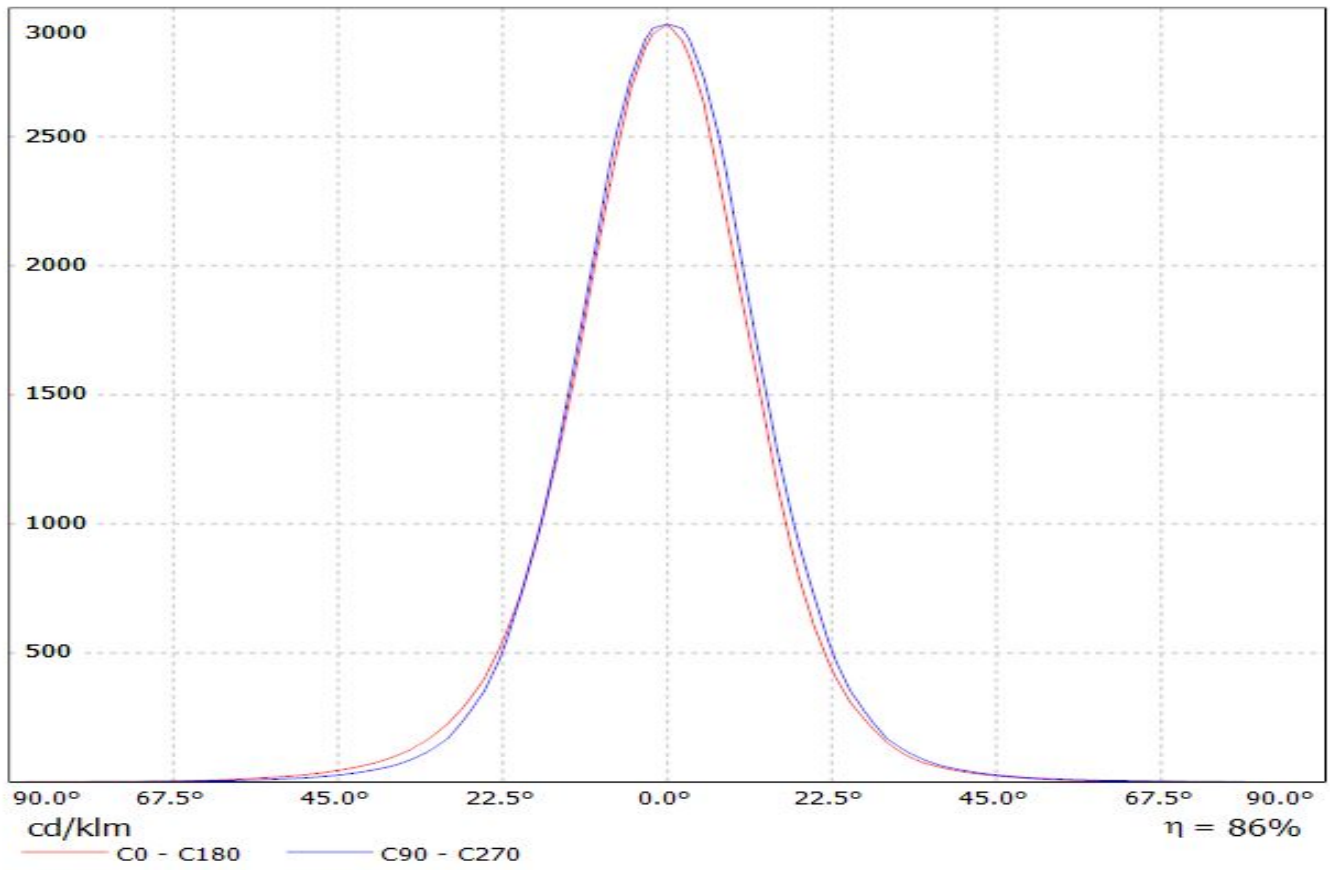
SHEET **1/1**

1

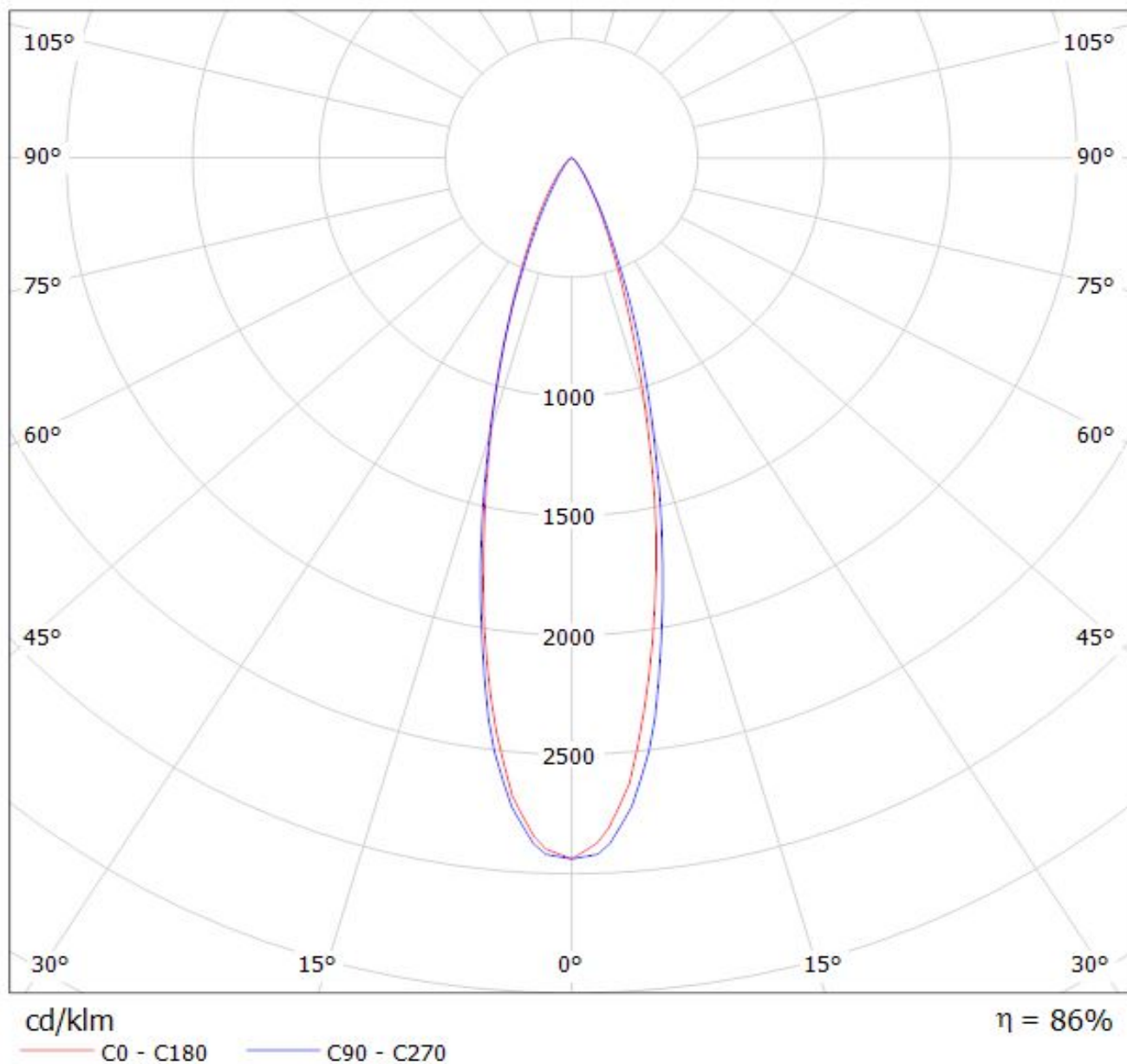
1

H G B A

Luminaire: Ledil Oy CA14402_EVA-M Efficiency=87%
Lamps: 1 x Luxeon M 348lm @ 250mA



Luminaire: Ledil Oy CA14402_EVA-M Efficiency=87%
Lamps: 1 x Luxeon M 348lm @ 250mA



NOTE: The typical divergence will be changed by different color, chip size and chip position tolerance. The typical total divergence is the full angle measured where the luminous intensity is half of the peak value.