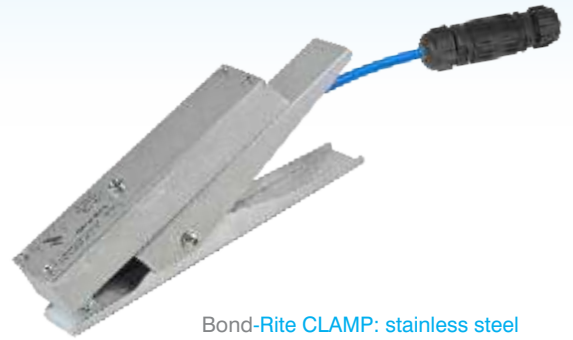


Bond-Rite[®] CLAMP

The self-testing static grounding clamp

The **Bond-Rite CLAMP**, patented exclusively by Newson Gale, is the only static grounding clamp that provides operators with visual verification that potentially charged equipment is connected to a verified static grounding point. The clamp contains a bright green LED which pulses continuously when it detects the grounding circuit has a resistance of 10 ohms or less. Once connected the **Bond-Rite CLAMP** continuously monitors the resistance of the circuit between the equipment and the verified ground point (e.g. wall-mounted bus bar).

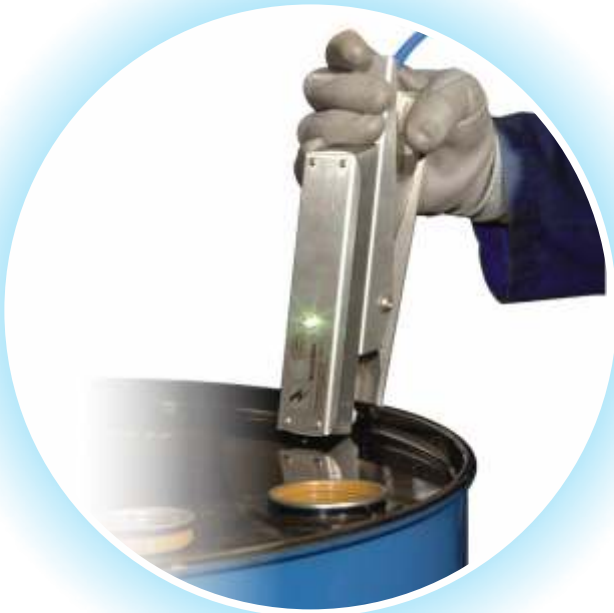


Bond-Rite CLAMP: stainless steel construction with robust circuit board enclosure

RS Code 432-0566

Typical Applications

- **Filling and dispensing to/from conductive containers, including drums, waste drums, vessels.**
- **Grounding equipment used in mixing, blending and agitation operations.**



Pulsing LED confirms equipment is grounded



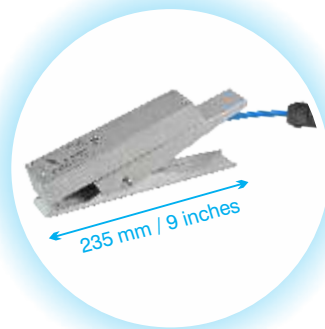
IECEX



- Highly visible LED housed in grounding clamp ensures operators know when low resistance connection is achieved with potentially charged equipment.
- Tungsten carbide tips bite through product deposit build up, rust & drum coatings to ensure proper bonding connections are made.
- Stainless steel clamps designed to withstand use in tough chemical processing and industrial environments.
- Quick Connect provides personnel with the flexibility of removing the clamp from zoned / classified areas for battery replacement.
- 10 ohms loop resistance monitoring compliant with international Best Practice standards.
- Junction box mounted stowage pin provides operators with location to return the clamp when the process is complete.





Bond-Rite CLAMP supplied with 2 conductor cable, junction box, clamp stowage pin and grounding leads. Circuit monitoring board and battery mounted inside clamp. Grounding bus-bar not supplied.



Tungsten Carbide tips penetrate static dissipation inhibitors including rust, product deposits and paint coatings

Certification

 II 1 GD
 EEx ia IIC T4 Ga
 Ex ia IIIC T135°C Da
 Ta = -40°C to +60°C
 APPROVED IS, Class I, II & III,
DIV. 1 & 2 and all gas groups
 Zones 1 & 2

Battery

9v Lithium (battery included)

Monitoring Set Point

10 Ohms

RS-432-0566 - BRC05 - Bond-Rite Clamp with 5m Hytrel Blue 2 Core Spiral Cable + Junction Box c/w Stowage Pin & Quick Connect.

The replaceable 9V battery provides up to 6 months of power for equipment grounded for up to an average of 6 hours per day. If longer periods are required please contact us for alternative Bond-Rite options.

The Bond-Rite CLAMP forms part of the Bond-Rite range of Static Grounding and Bonding Equipment available from Newson Gale



Leading the way in hazardous area static control

www.newson-gale.com



Newson Gale Inc
 460 Faraday Avenue
 Bldg C
 Jackson, NJ 08527
 USA

Tel: +1 732 961 7610

Fax: +1 732 791 2182

Email: groundit@newson-gale.com



Newson Gale GmbH
 Ruhrallee 185
 45136 Essen
 Deutschland

Tel: +49 (0)201 89 45 245

Fax: +49 (0)201 42 60 026

Email: erdung@newson-gale.de



Newson Gale Ltd
 Omega House
 Private Road 8
 Colwick, Nottingham
 NG4 2JX, UK

Tel: +44 (0)115 940 7500

Fax: +44 (0)115 940 7501

Email: groundit@newson-gale.co.uk