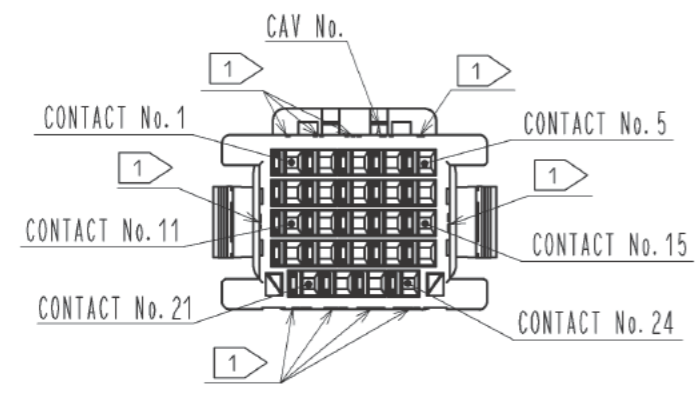
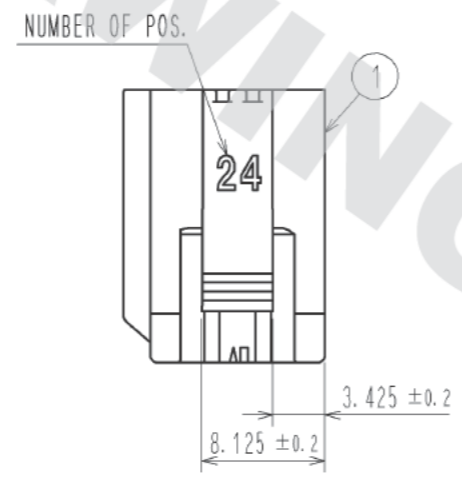
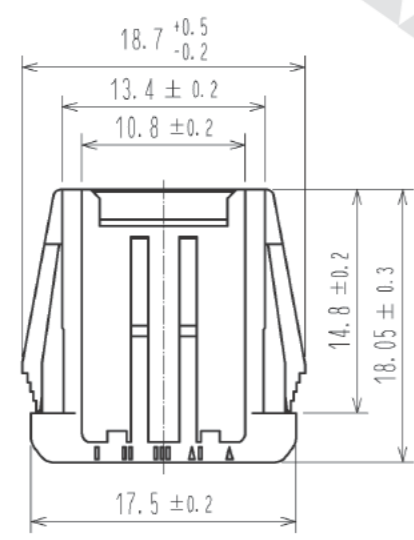
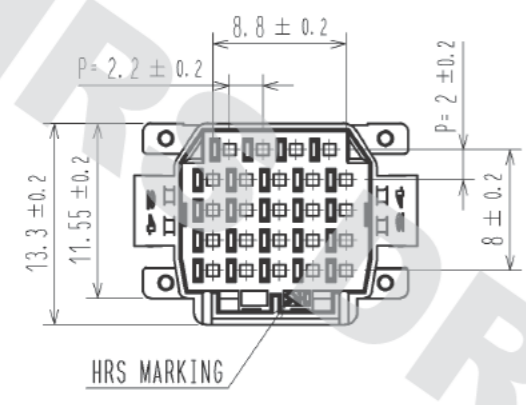
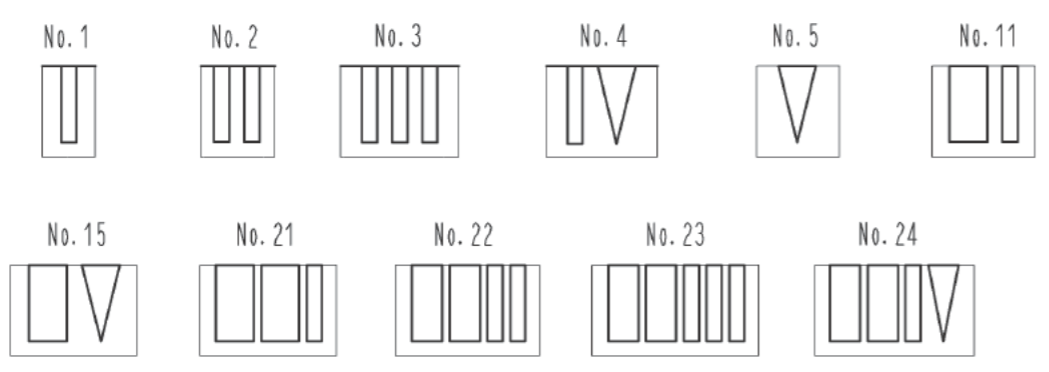


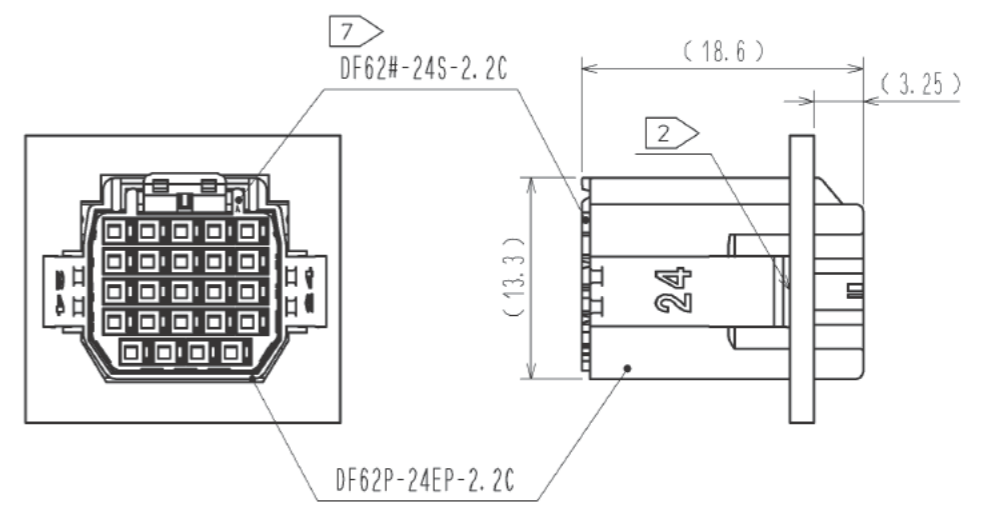
DRAWING FOR REFERENCE: This is subject to change without notice
05/31/2014



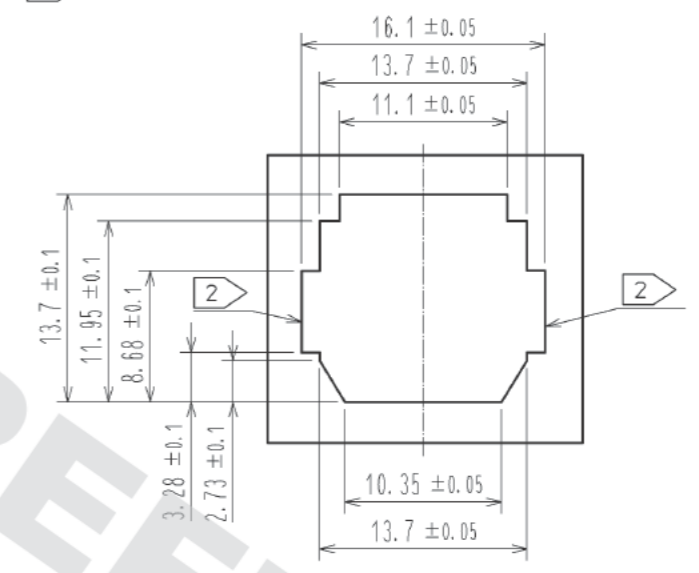
1 FIGURE-1 CONTACT No. MARKING (10:1)



7 MATING FIGURE (PANEL MOUNTED)



3 4 RECOMMENDED PANEL CUTOUT DIMENSION



- NOTE. 1 MARKINGS AT THE INDICATED POSITIONS ARE CONTACT NO. MARKING. AND SHAPES ARE SHOWN IN FIGURE-1.
 2 PLEASE USE THE NON-RADIUS SIDE FOR THE PANEL HOOKING AREA.
 3 APPLICABLE PANEL THICKNESS IS 2.3 TO 0.5mm.
 4 CONSULT HIROSE FOR THE OTHER PANEL CUTOUT DESIGNS THAN THE RECOMMENDED ONE.
 5. PER PACK : 100 PIECES.
 6. THE DIMENSIONS IN PARENTHESIS ARE FOR REFERENCE.
 7 THIS FIGURE SHOWS THE MATED CONDITION WITH DF62B-24S-2.2C.

NO.		MATERIAL		FINISH . REMARKS		1	PBT	UL94V-0(BLACK)		
UNITS mm		SCALE 2 : 1		COUNT		DESCRIPTION OF REVISIONS		DESIGNED	CHECKED	DATE
HIROSE ELECTRIC CO., LTD.		APPROVED : KI. AKIYAMA		13.12.26		DRAWING NO.		EDC3-349142-00		
		CHECKED : OM. MIYAMOTO		13.12.26		PART NO.		DF62P-24EP-2.2C		
		DESIGNED : TH. YOSHIZAWA		13.12.26		CODE NO.		CL544-0550-7-00		
		DRAWN : MI. SAKIMURA		13.12.25						