


Ordering number F11947_JULIA-A

Family	Julia	FWHM	64+158 degrees
Type	Lens	Efficiency	90 %
LED	Oslon SSL 80	cd/lm	0.200
Color	Clear	Gerber File	Available
Diameter	18.86 mm		
Height	4.66 mm		
Style	Round		http://www.ledil.fi/Julia_Uniform_Wide_Angle_Illumination_-_Id
Optic Material	PMMA		
Holder Material	-		
Fastening	Pin, glue		
Status	Ready		

Ordering number FA11948_JULIA-A

Family	Julia	FWHM	64+158 degrees
Type	Assembly	Efficiency	90 %
LED	Oslon SSL 80	cd/lm	0.200
Color	Clear	Gerber File	Available
Diameter	18.8 mm		
Height	4.81 mm		
Style	Round		http://www.ledil.fi/Julia_Uniform_Wide_Angle_Illumination_-_Id
Optic Material	PMMA		
Holder Material	-		
Fastening	Pin, tape		
Status	Ready		

NOTE: The typical divergence will be changed by different color, chip size and chip position tolerance. The typical total divergence is the full angle measured where the luminous intensity is half of the peak value.



PRODUCT DATASHEET

Julia series

last update 13/11/2012



GENERAL INFORMATION

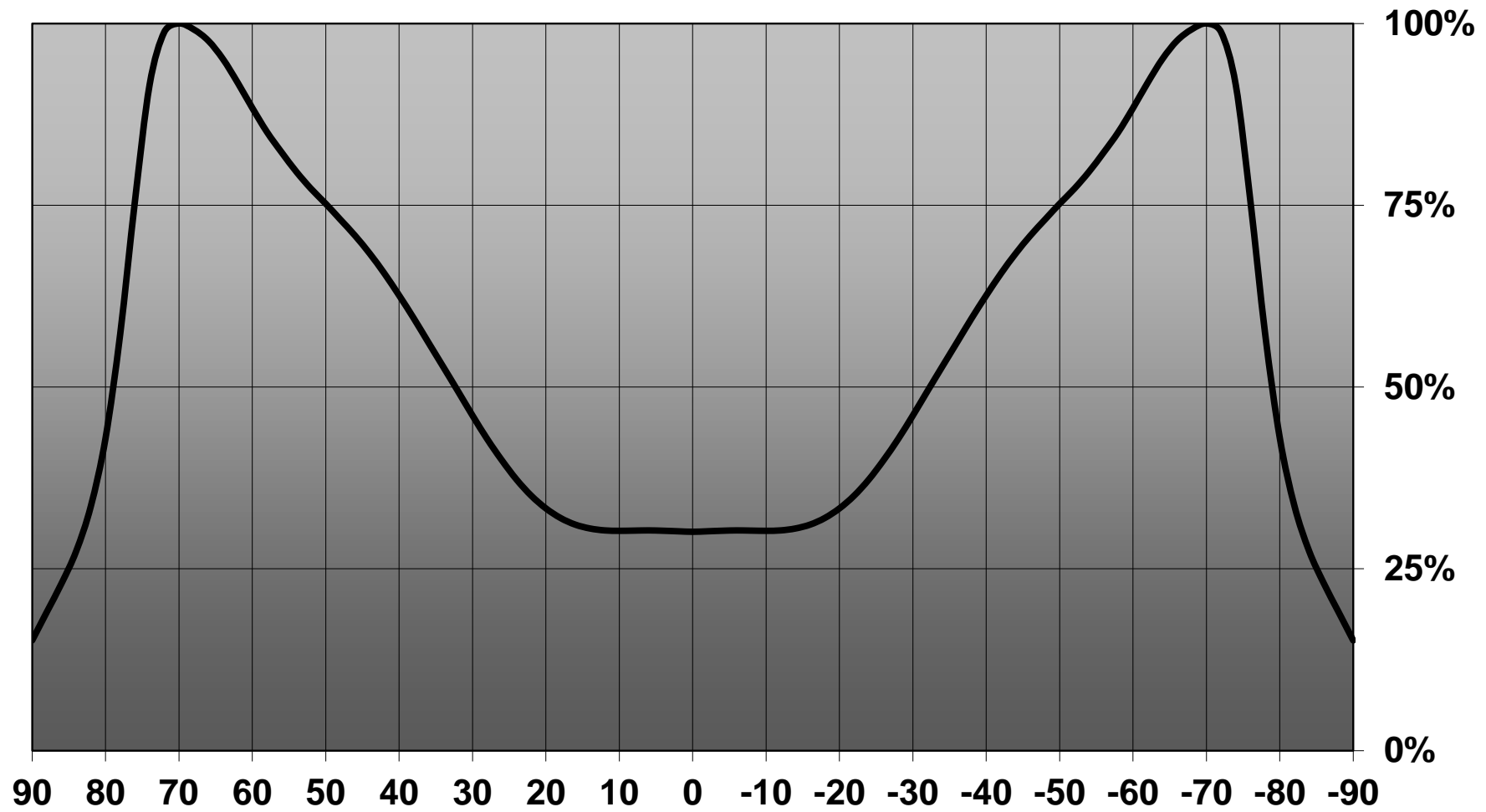
- Product series especially designed & optimized for Oslon SSL 80 series of LEDs.
- Special care taken to make light distribution as uniform as possible.
- Lens material optical grade PMMA with high UV and temperature resistance. Allows use of high current and temperature conditions.

Please find more information about used material from below:

http://ledil.fi/sites/default/files/Documents/Technical/Material/PMMA%20N%20UL94_Yellow%20Card.pdf

<http://ledil.fi/sites/default/files/Documents/Technical/Material/PMMA%20N%20PLEXIGLAS-Datasheet.pdf>

Relative intensity of FA11948_Julia-A-OSL80-tape

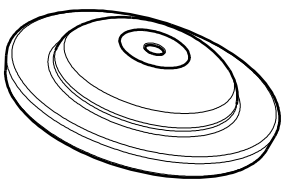


D

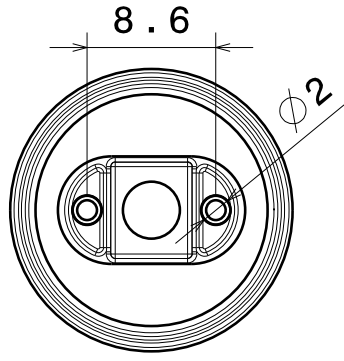
C

B

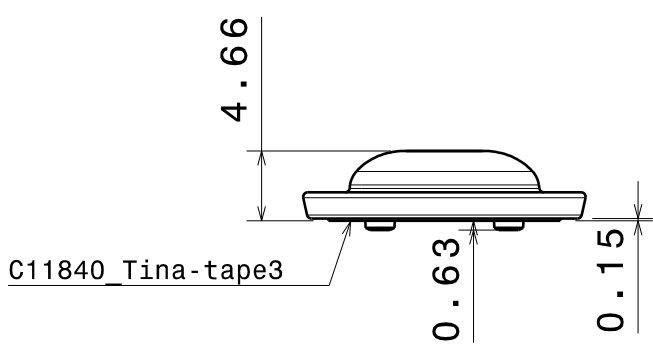
A



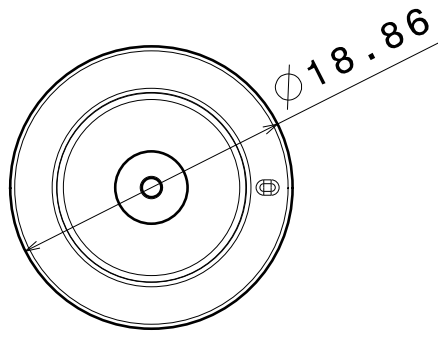
Isometric view



Bottom view



Front view



Top view

Material: PMMA

Part no.s:
 Lens: F11947_Julia-A
 Assembly: FA11948_Julia-A-tape
 (F11947_Julia-A + C11840_Tina-tape3)

This drawing is our property.
 It can't be reproduced
 or communicated without
 our written agreement.



Ledil Oy
 Tehdaskatu 13
 FIN-24100 SALO
 Finland

DRAWING TITLE

Datasheet Julia-A Lens

DRAWN BY
 mav
 DATE
 07.01.2011

CHECKED BY
 tk
 DATE
 07.01.2011

DESIGNED BY
 ol
 DATE
 20.12.2010

SIZE: A4
 DRAWING NUMBER: F11947
 REV: 1

SCALE: 2:1
 WEIGHT (g):
 SHEET: 1/1

D

A