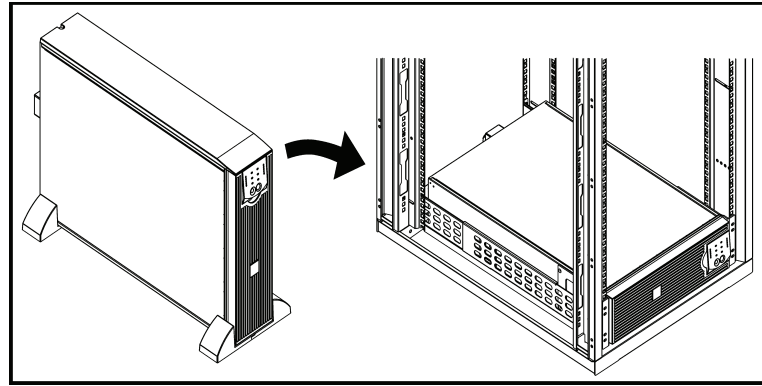


Installation Guide - Tower to SURTRK2 Rack Conversion

SURT3000/5000/6000 VA 3U

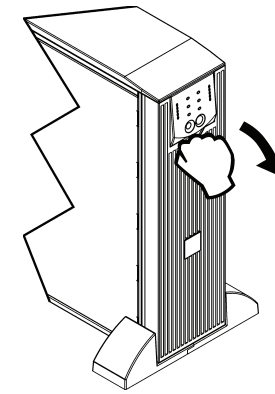


3000/5000 VA models	
8	
8	
4	
2	
2	
2	
1	

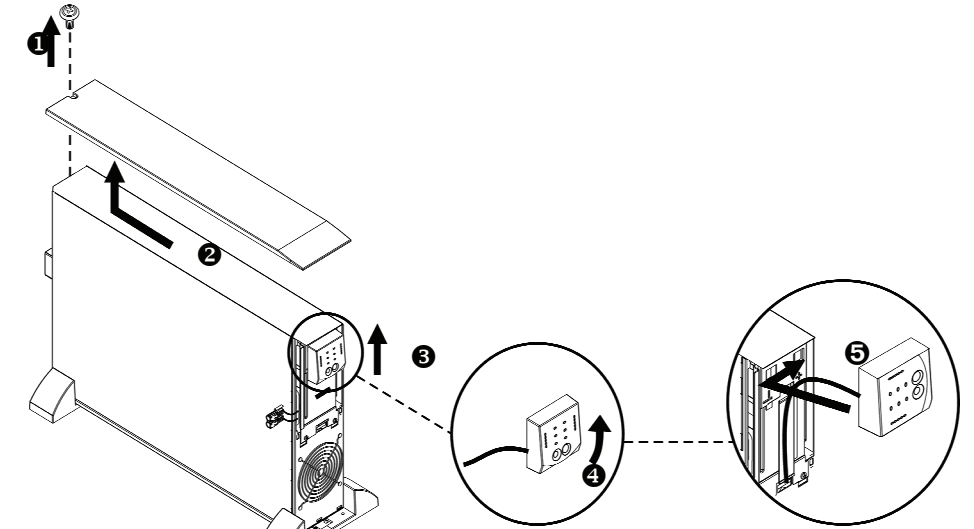
1

For units purchased in tower configuration, begin here.

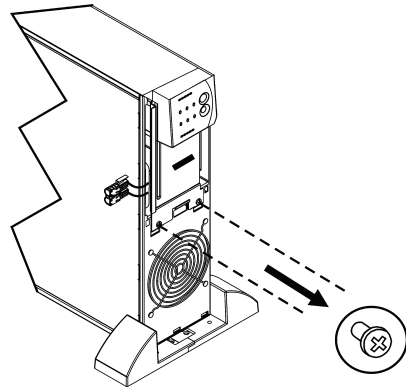
For units purchased in rack-mount configuration, begin with step **12** of the rack-mount instructions on the reverse side of this sheet.



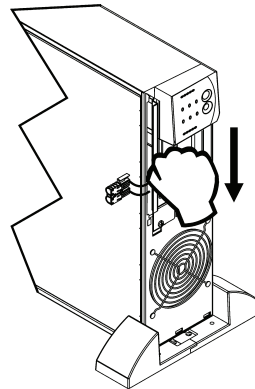
2



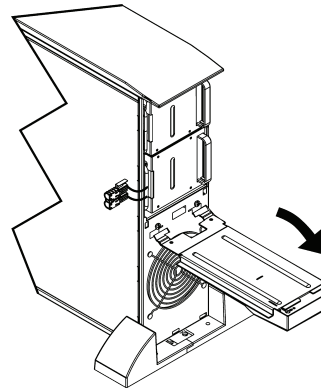
3



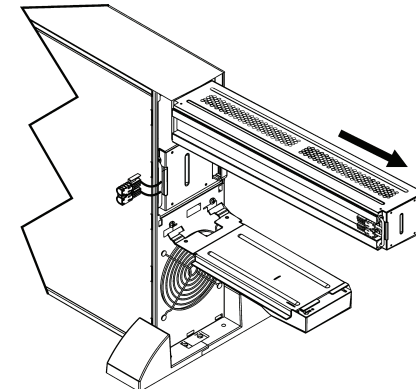
4



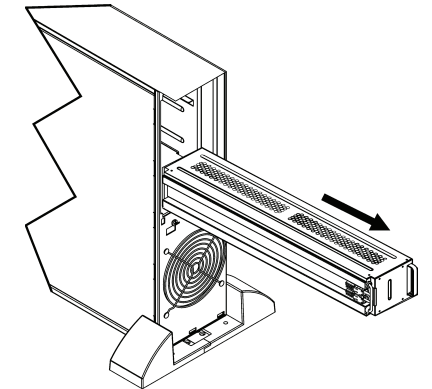
5



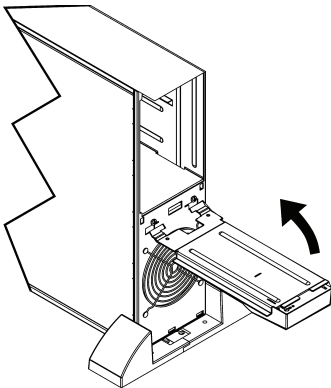
6



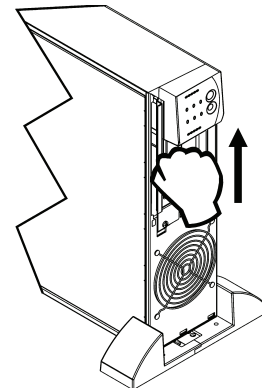
7



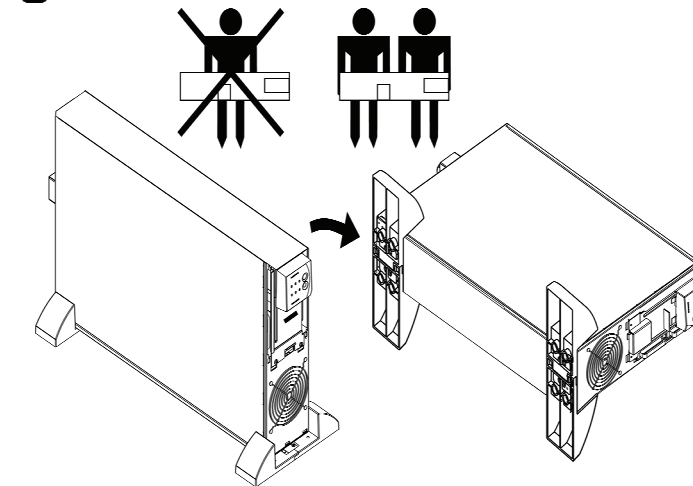
8



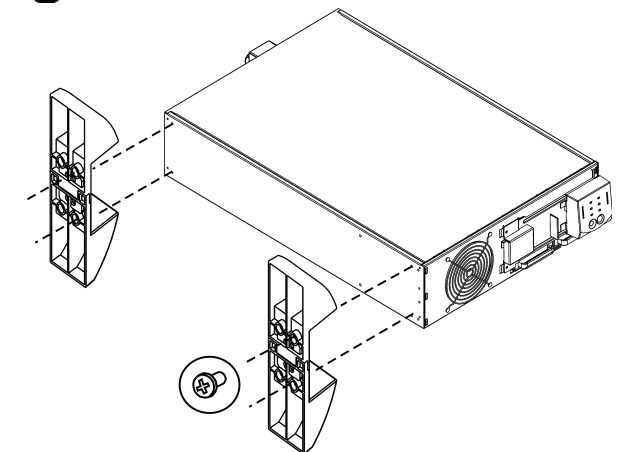
9



10

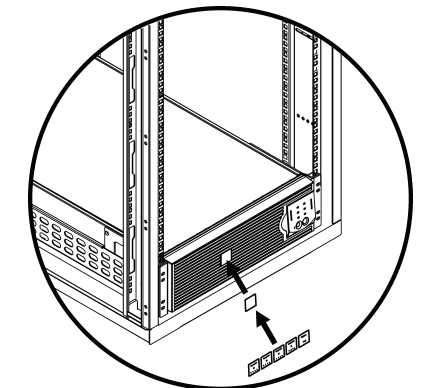
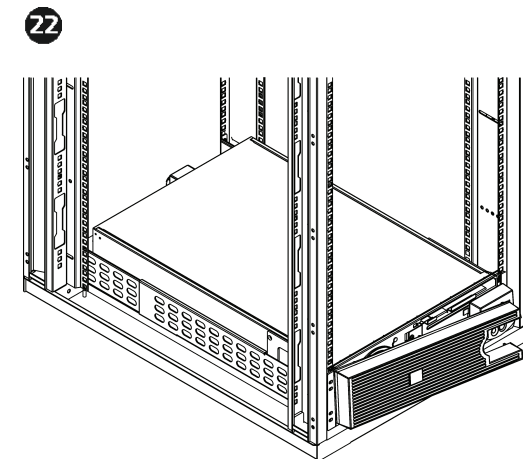
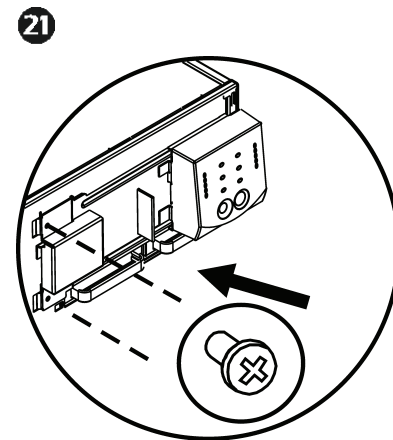
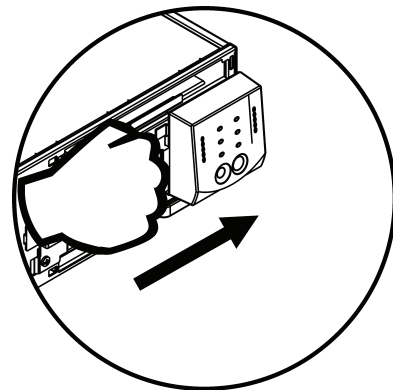
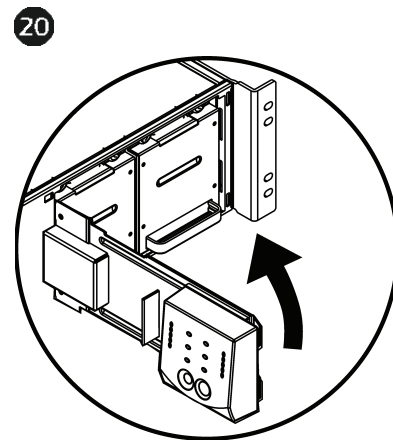
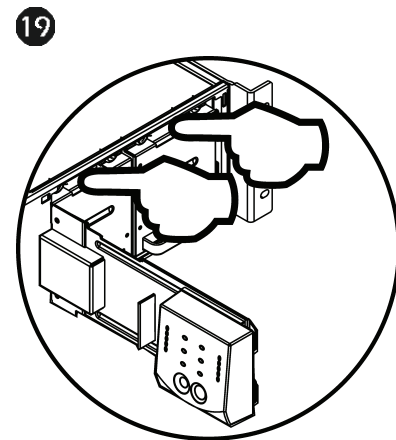
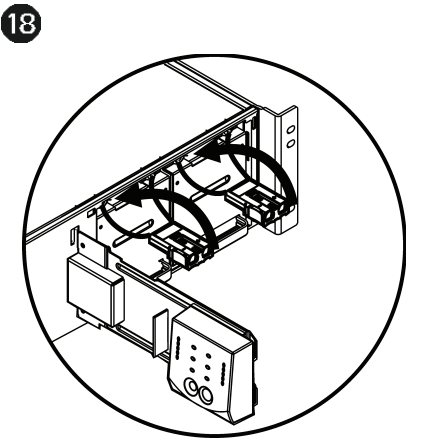
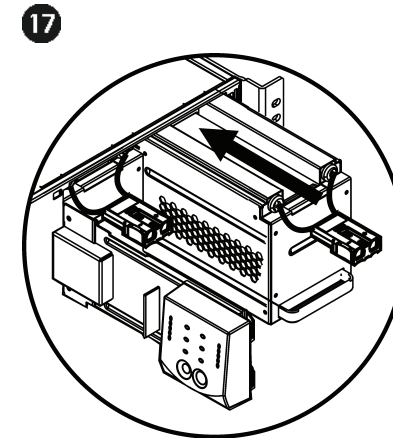
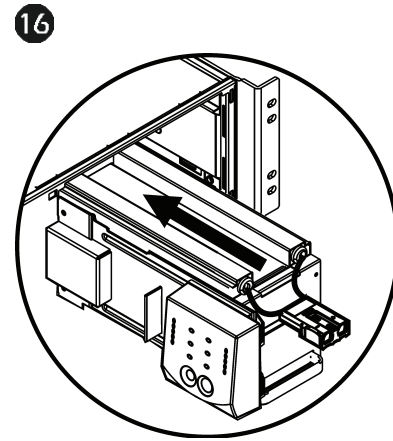
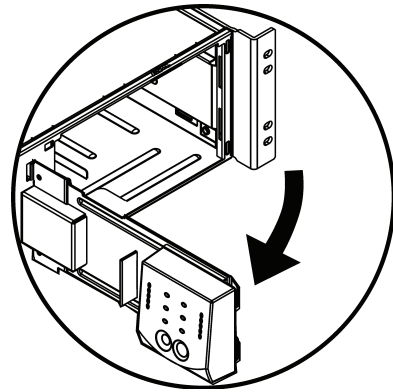
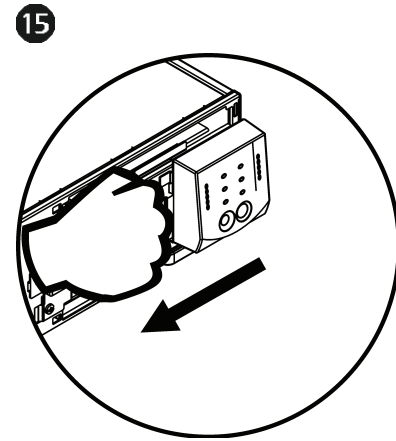
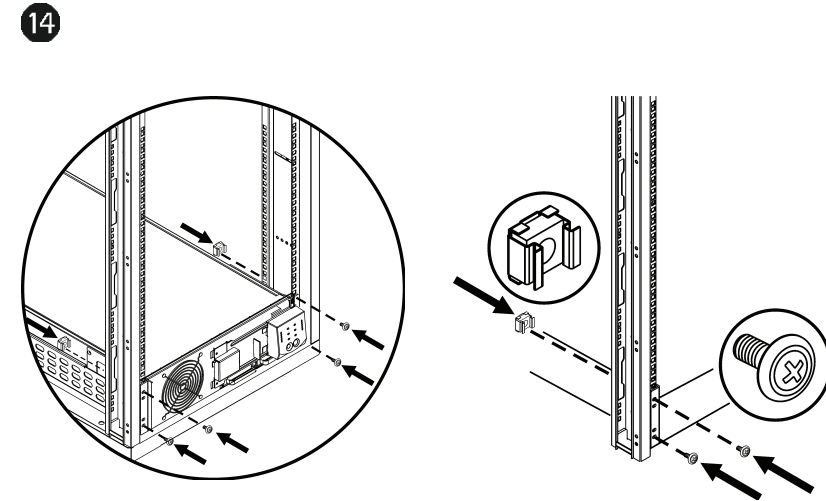
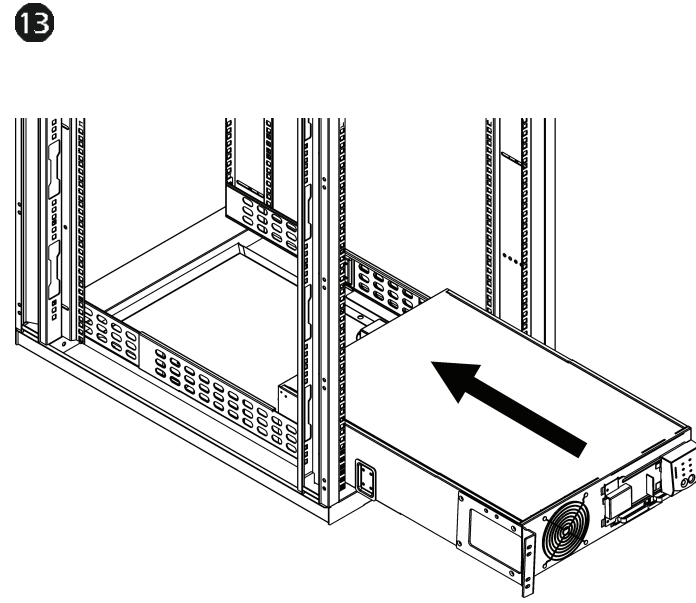
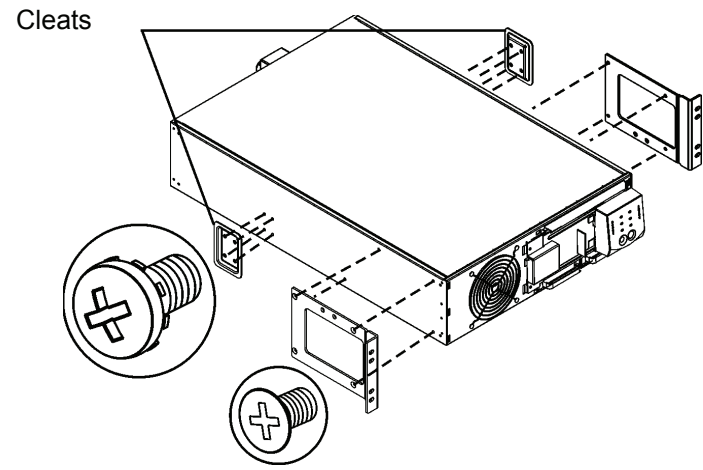


11



If using a rack-mount configuration begin here.

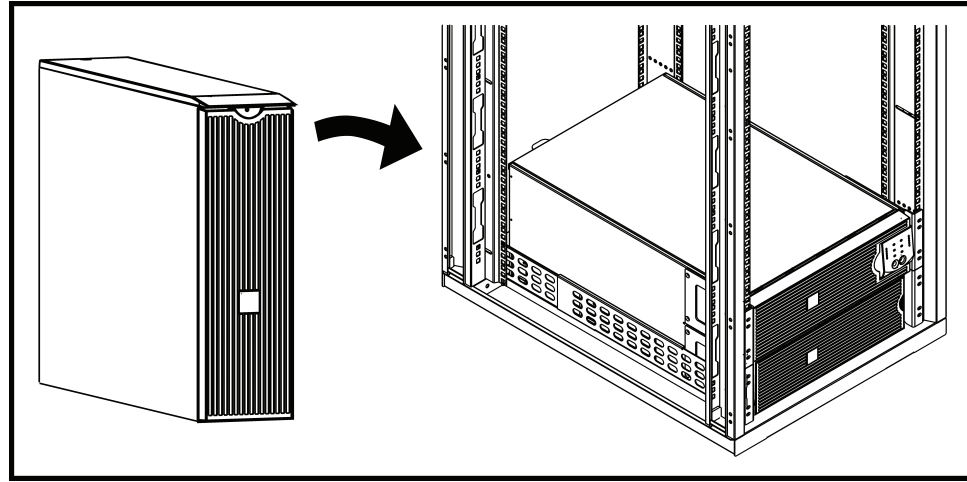
12 NOTE:
Cleats will be factory installed on units purchased for rack-mount configuration.



SURT192XLBP 3U/SURT48RMXLBP 2U



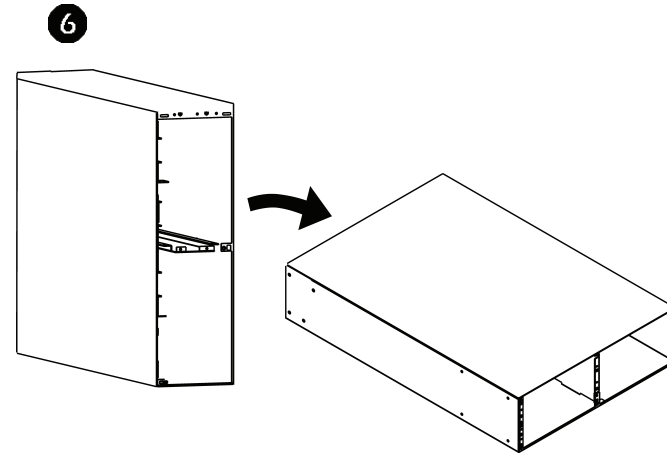
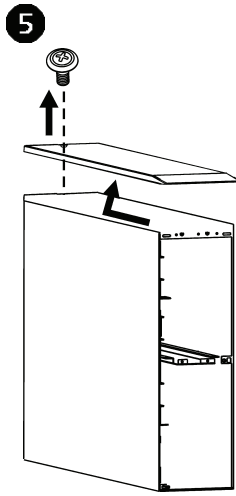
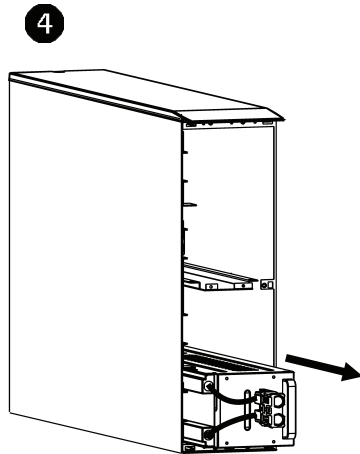
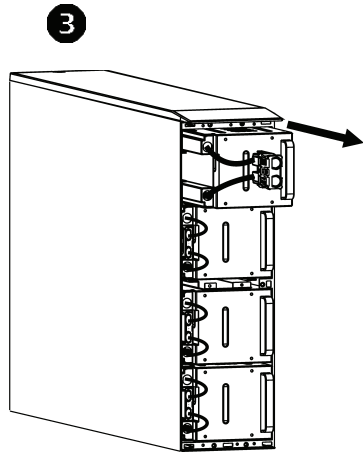
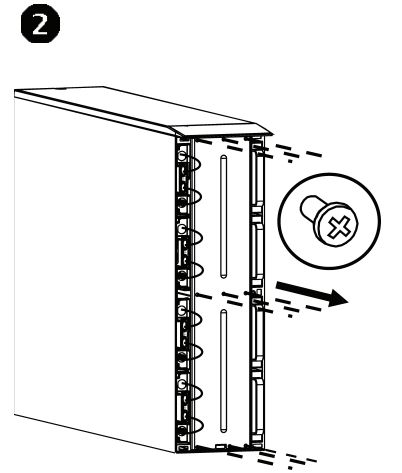
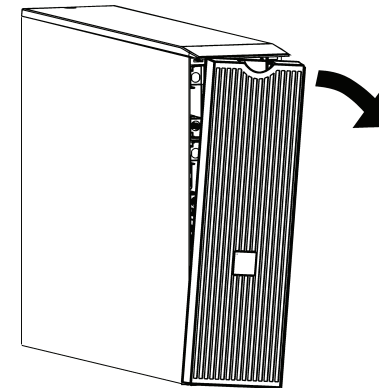
Installation Guide - Tower to SURTRK2 Rack Conversion



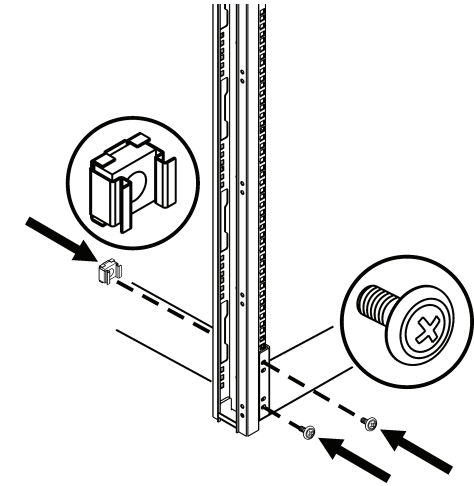
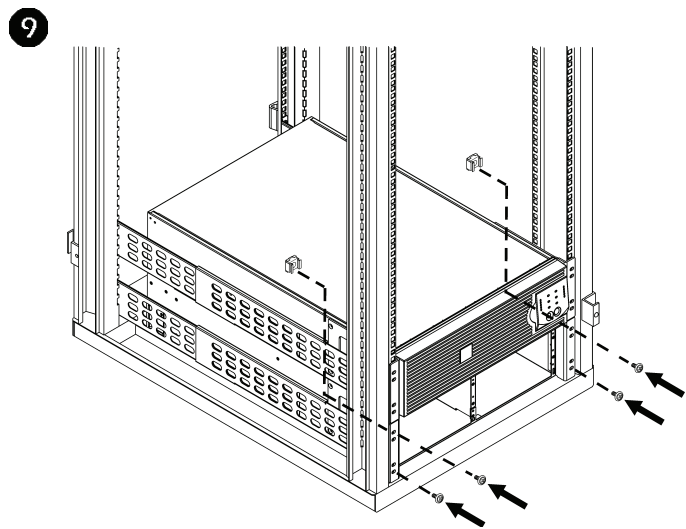
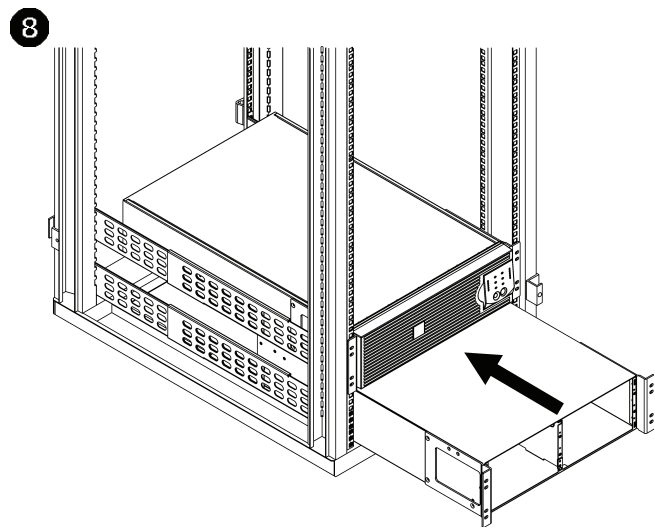
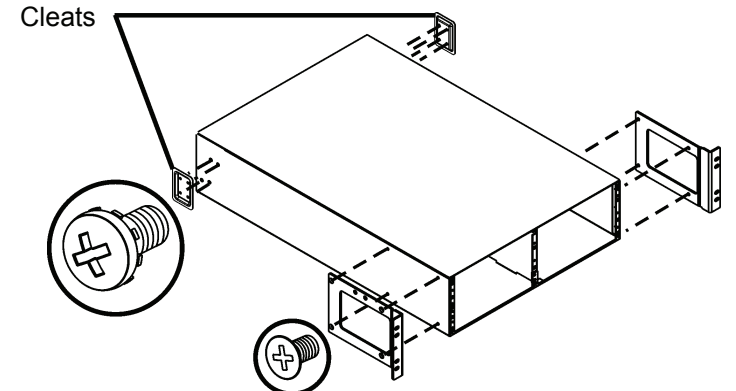
External BatteryPack	
8	
8	
4	
2	
2	
2	
1	

1 For units purchased in tower configuration, begin here.

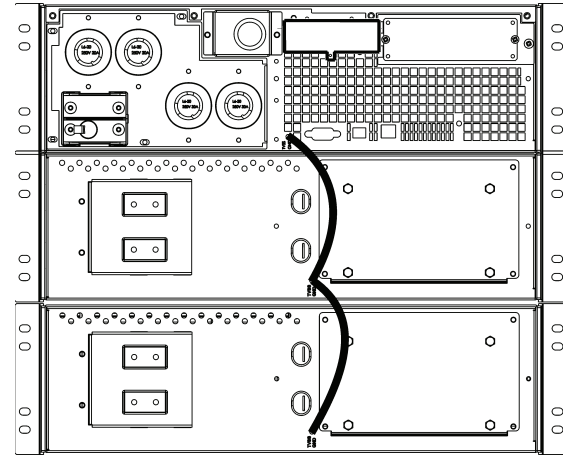
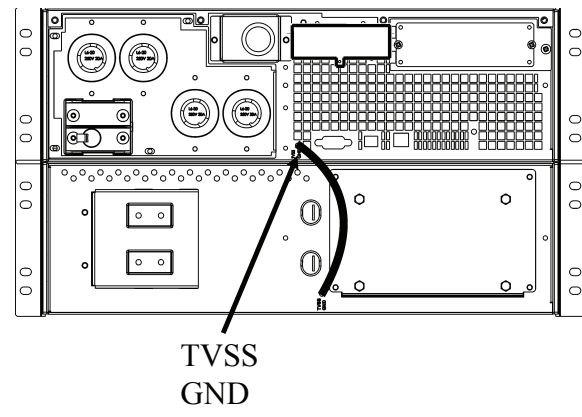
For units purchased in rack-mount configuration, begin with step **7**.



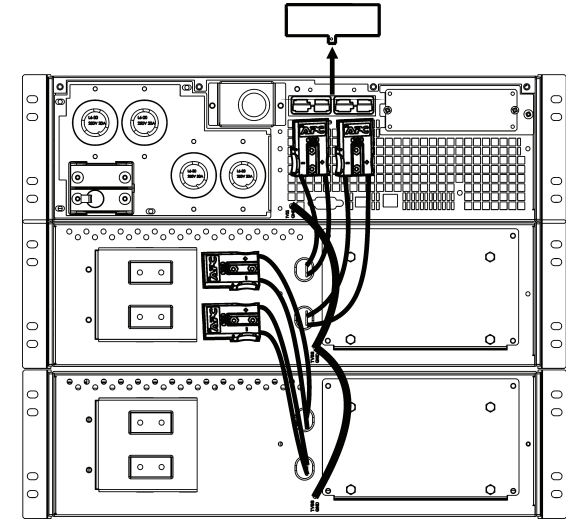
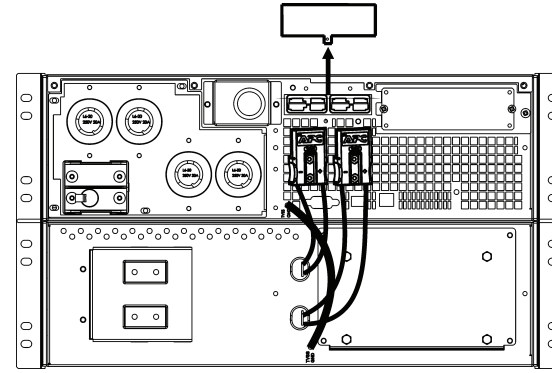
7 If using a rack-mount configuration begin here. **NOTE:** Cleats will be factory installed on units purchased for rack-mount configuration.



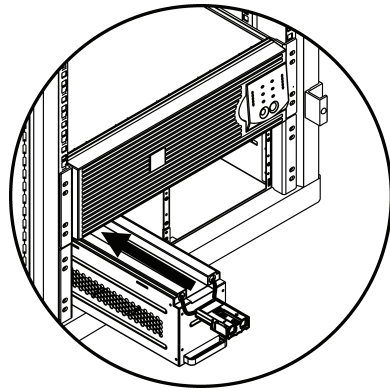
10



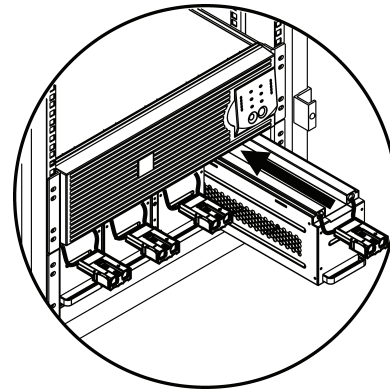
11



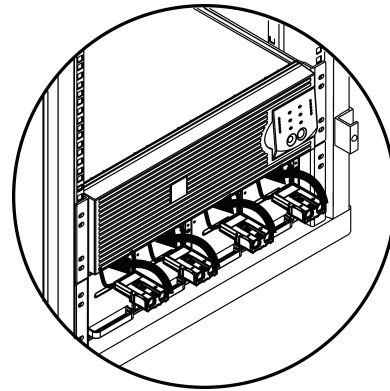
12



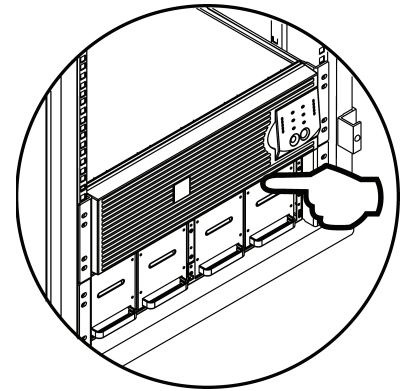
13



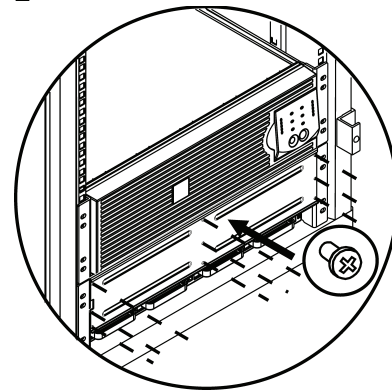
14



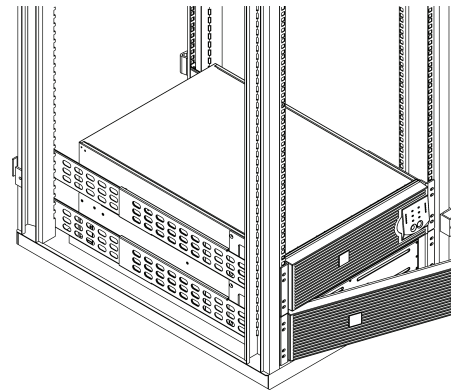
15



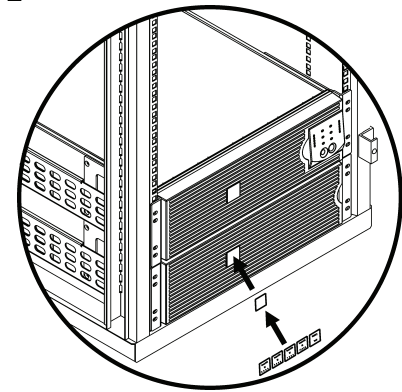
16



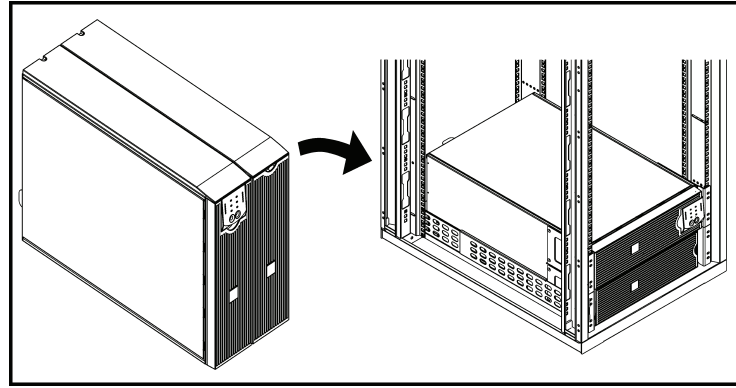
17



18



SURT7500/8000/10000 VA 6U



7500/10000 VA models	
8	
16	
8	
4	
2	
6	
1	

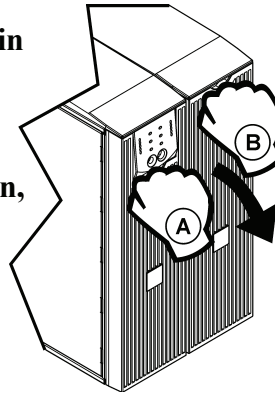


Installation Guide - Tower to SURTRK2 Rack Conversion

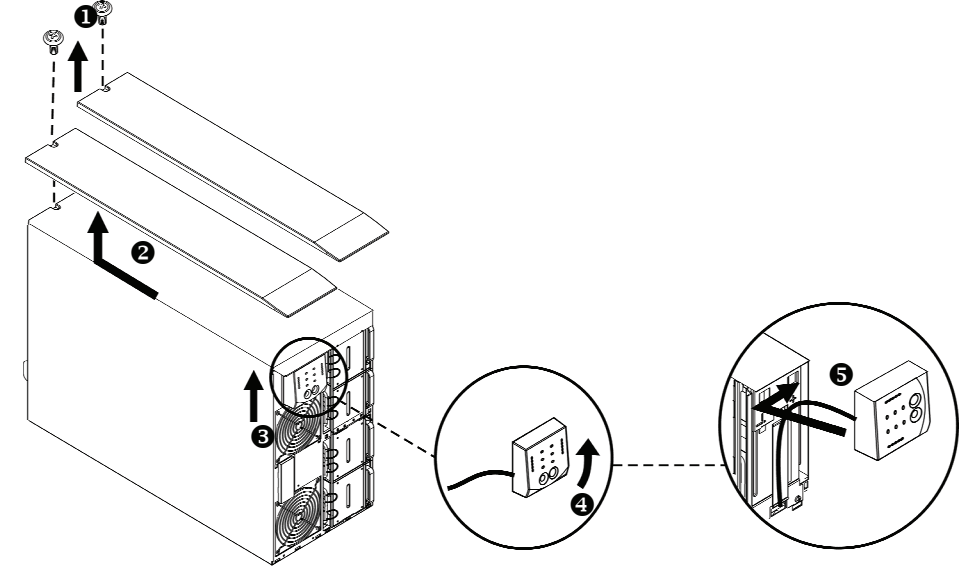
1

For units purchased in tower configuration, begin here.

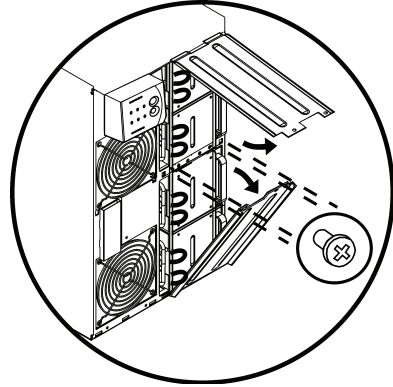
For units purchased in rack-mount configuration, begin with step **7** of the rack-mount instructions on the reverse side of this sheet.



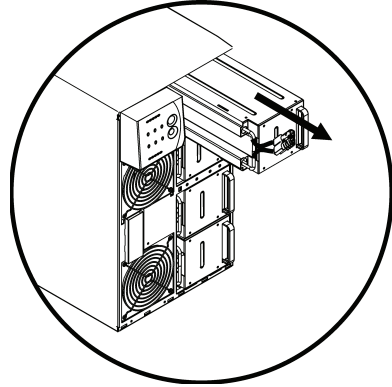
2



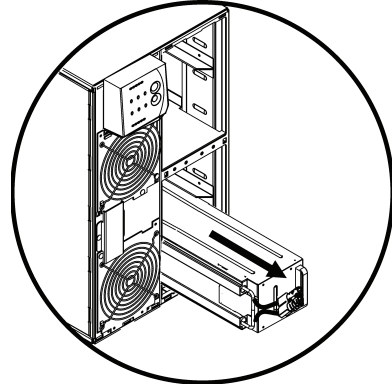
3



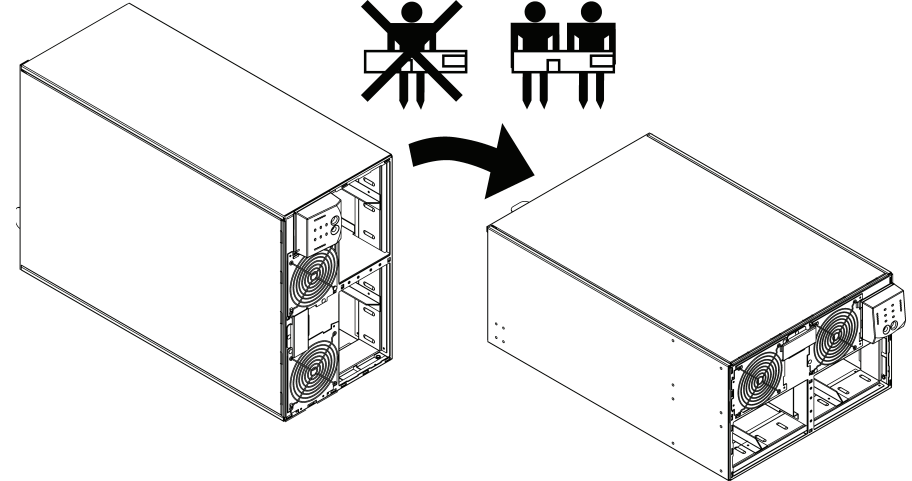
4



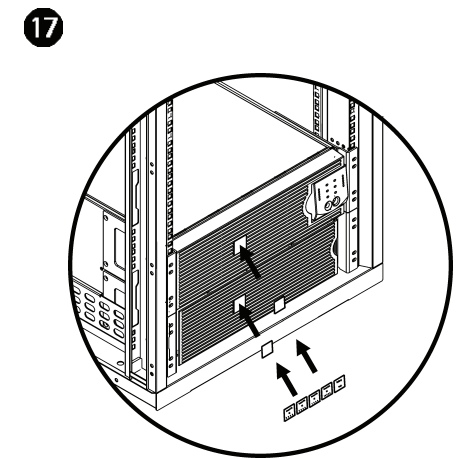
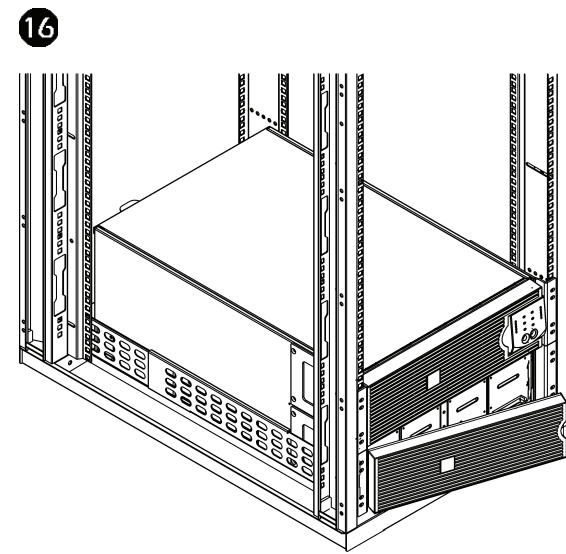
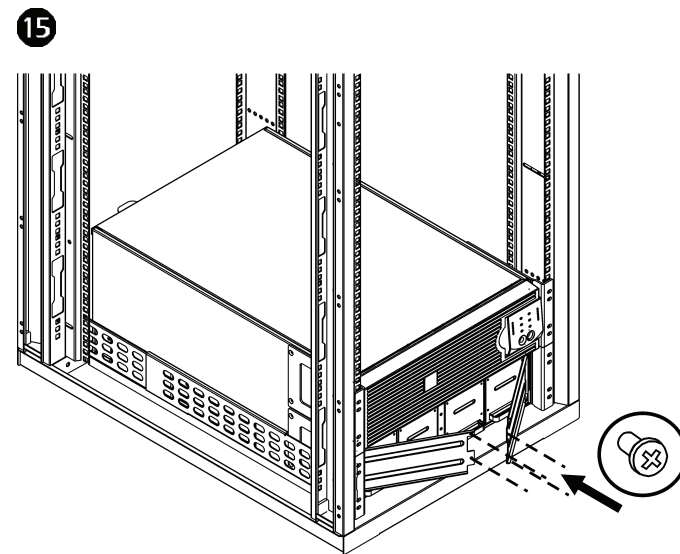
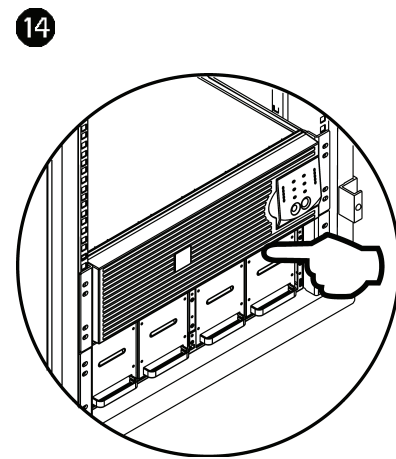
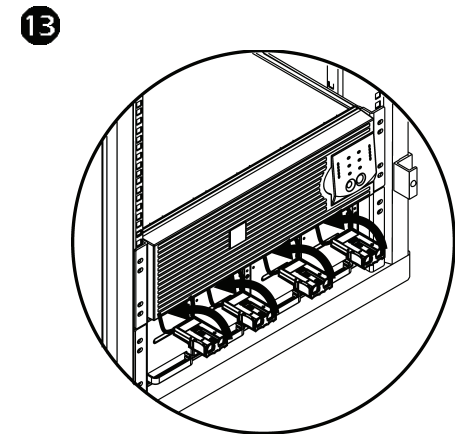
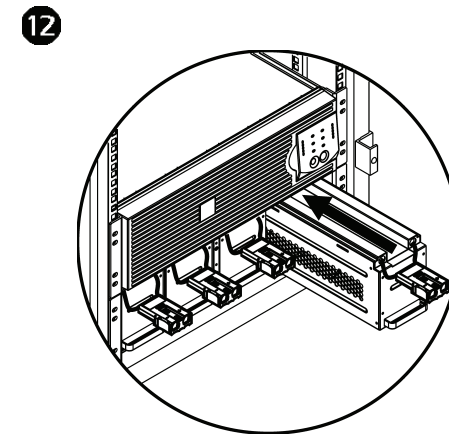
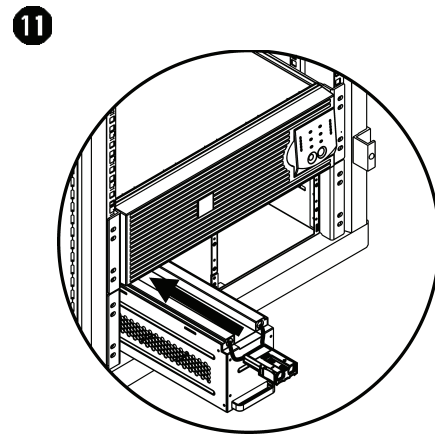
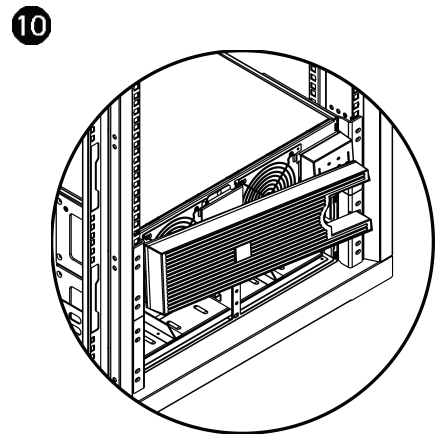
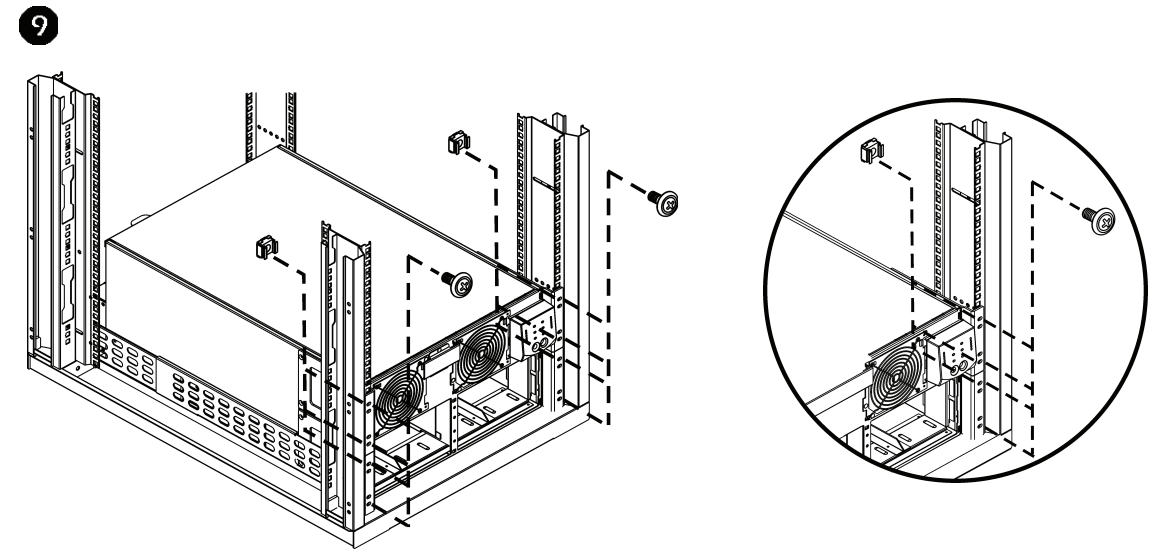
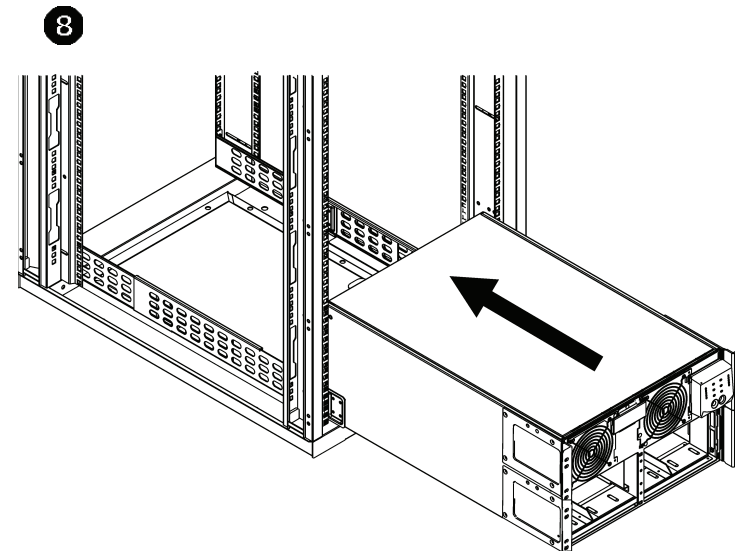
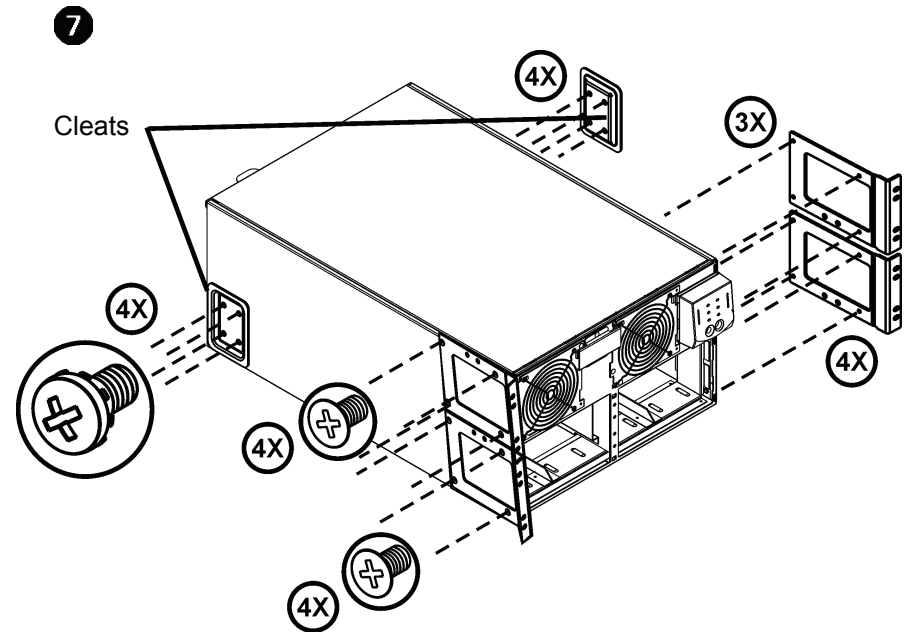
5



6

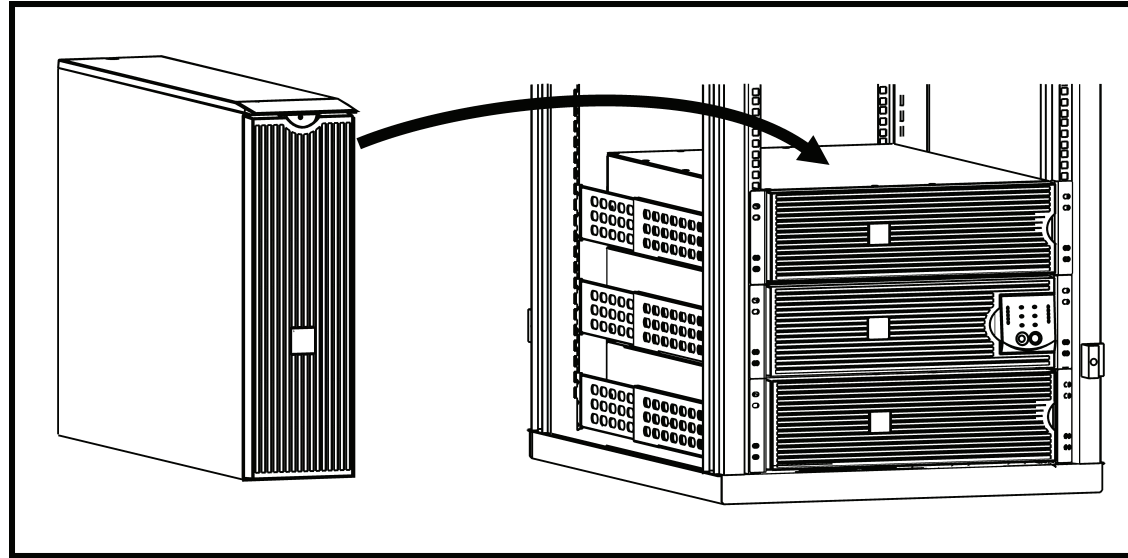


If using a rack-mount configuration begin here. NOTE: Cleats will be factory installed on units purchased for rack-mount configuration.



Smart-UPS® RT Transformers
SURT001/SURT002/SURT003/SURT004 3U

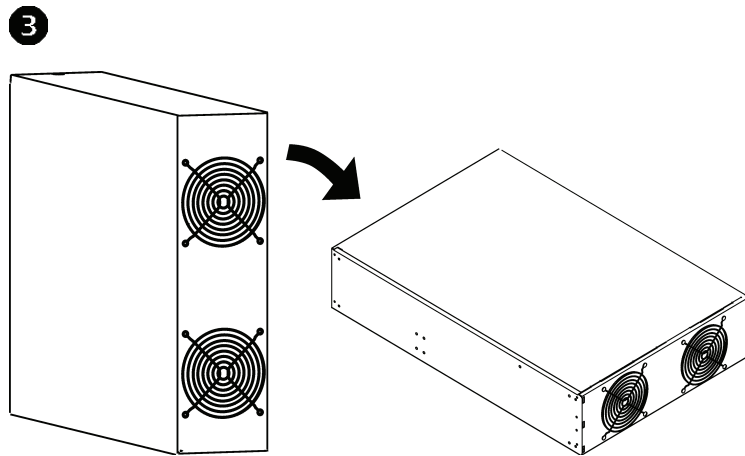
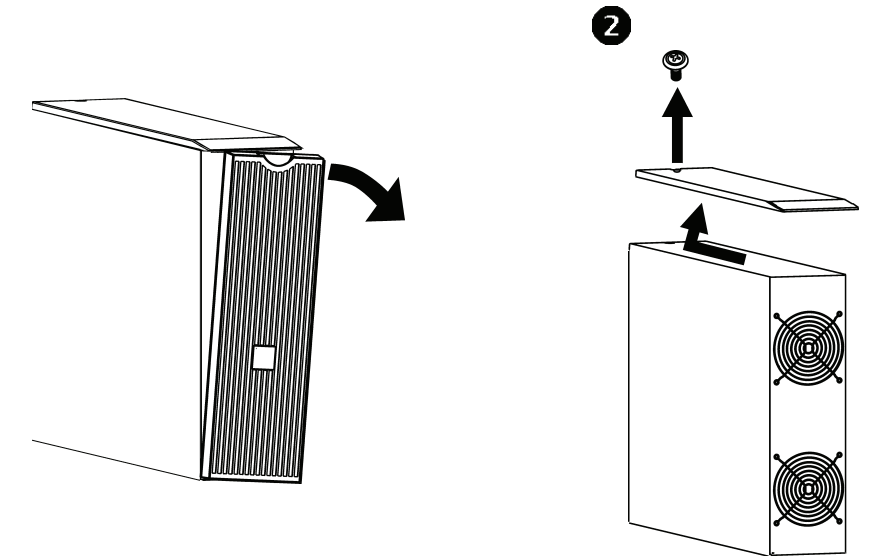
Installation Guide - Tower to SURTRK2 Rack Conversion



Transformer	
8	
8	
4	
2	
2	
2	
1	

1 For units purchased in tower configuration, begin here.

For units purchased in rack-mount configuration, begin with step **4**.



If using a rack-mount configuration begin here.

