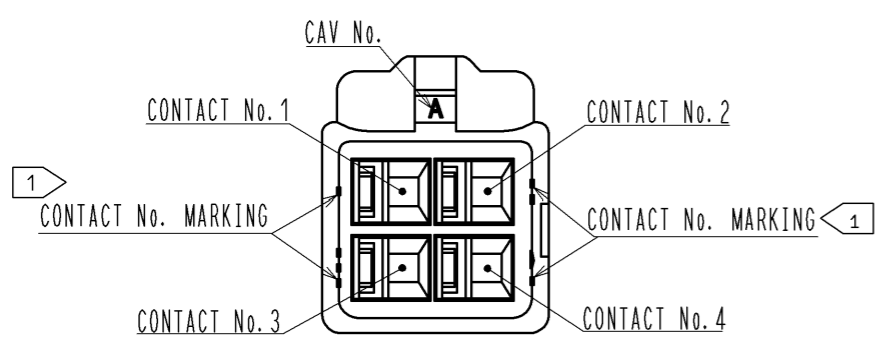
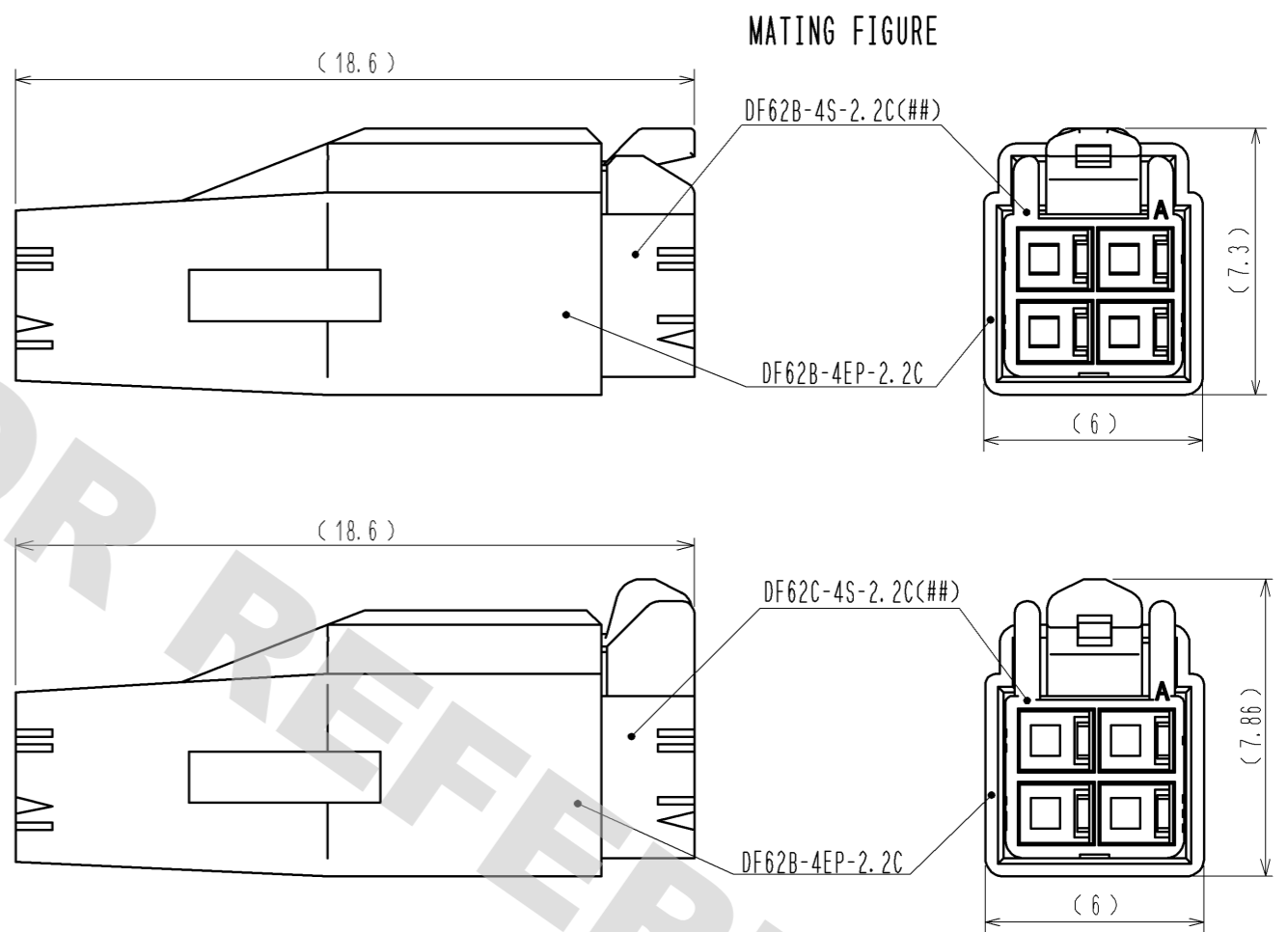
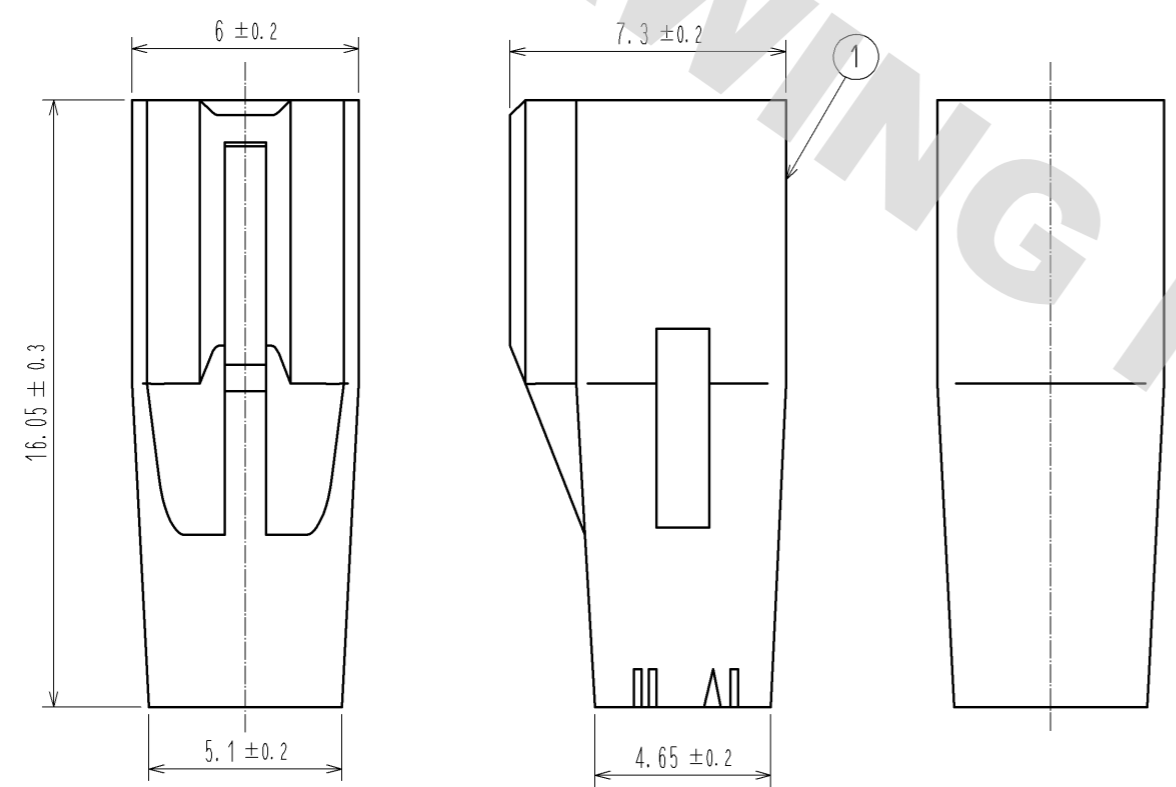
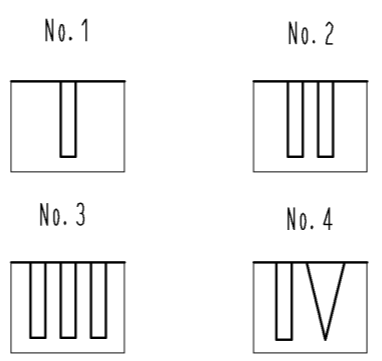
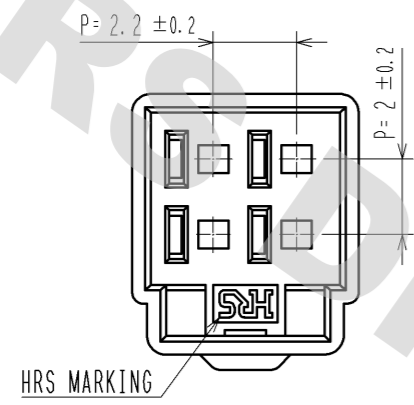


DRAWING FOR REFERENCE: This is subject to change without notice  
12/05/2013

1 FIGURE-1 CONTACT No. MARKING (10:1)



NOTE. 1. MARKINGS AT THE INDICATED POSITIONS ARE CONTACT NO. MARKING. AND SHAPES ARE SHOWN IN FIGURE-1.  
2. PER PACK : 100 PIECES.  
3. THE DIMENSIONS IN PARENTHESIS ARE FOR REFERENCE.

NO.		MATERIAL		FINISH . REMARKS		1	PBT	UL94V-0 (BLACK)
UNITS mm		SCALE 5 : 1		COUNT		DESIGNED		CHECKED
HRS		HIROSE ELECTRIC CO., LTD.		APPROVED : KI. AKIYAMA 13. 05. 28		DRAWING NO.		EDC3-351965-00
				CHECKED : HK. UMEHARA 13. 05. 28		PART NO.		DF62B-4EP-2. 2C
				DESIGNED : TS. KUMAZAWA 13. 05. 28		CODE NO.		CL544-0560-0-00
				DRAWN : TS. KUMAZAWA 13. 05. 28				1/1