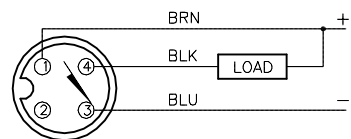
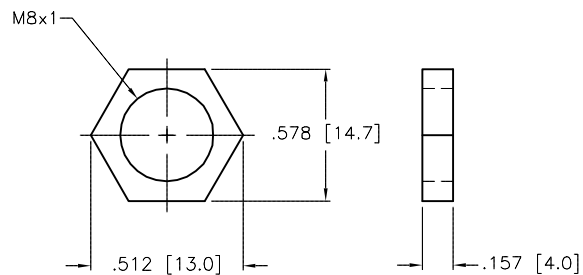


WIRING DIAGRAM



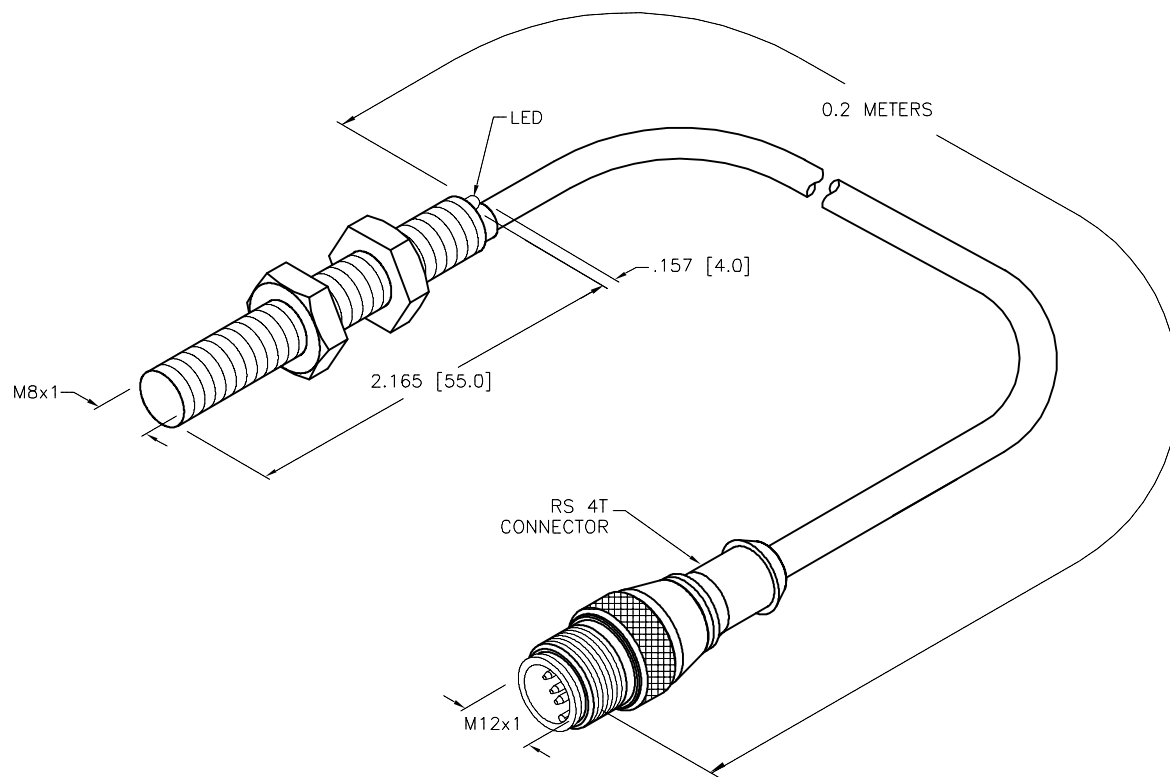
NO SHORT-CIRCUIT OR OVERLOAD PROTECTED

LOCKNUT LN-M08



SPECIFICATIONS

RATED OPERATING DISTANCE	1.5mm [059]
MOUNTING MODE	FLUSH
TEMPERATURE DRIFT	≤±10%
HYSTERESIS	3-15%
MIN. REPEAT ACCURACY	≤2%
OPERATING TEMPERATURE	-25°C to +70°C (-13°F to +158°F)
RATED OPERATIONAL VOLTAGE	10-30 VDC
RESIDUAL RIPPLE	≤10%
RATED OPERATIONAL CURRENT	≤150 mA
NO-LOAD CURRENT	≤15 mA
RESIDUAL CURRENT	≤0.1 mA
RATED INSULATION VOLTAGE	≤0.5 kV
SHORT-CIRCUIT PROTECTION	NO
MAX. VOLTAGE DROP	≤1.8 V
WIRE BREAKAGE PROTECTION	INCORPORATED
REVERSE POLARITY PROTECTION	INCORPORATED
OUTPUT FUNCTION	3-WIRE, NORMALLY OPEN, NPN
MAX. SWITCHING FREQUENCY	≤3 kHz
HOUSING MATERIAL	BRASS/CHROME-PLATED
ACTIVE FACE	PLASTIC, PLASTIC, PA12-GF20
END CAP	PLASTIC, PP
CABLE	∅4.0, TPU
VIBRATION RESISTANCE	55 Hz (IN ALL 3 PLANES)
SHOCK RESISTANCE	30 g, 11 ms
DEGREE OF PROTECTION	IP 67
SWITCHING STATUS INDICATION	LED, YELLOW



SOURCE DRAWING - FOR REFERENCE ONLY

RELATED DOCUMENTS 1. 2. 3. 4.	3RD ANGLE PROJECTION 	THIS DRAWING IS CONFIDENTIAL AND THE PROPERTY OF TURCK INC. USE OF THIS DOCUMENT WITHOUT WRITTEN PERMISSION IS PROHIBITED.		3000 CAMPUS DRIVE MINNEAPOLIS, MN 55441 1-800-544-7769 (763) 553-7300 (763) 553-0708 fax turck.com	
	MATERIAL	ALL DIMENSIONS DISPLAYED ON THIS DRAWING ARE FOR REFERENCE ONLY	DRFT RDS APVD	DATE 03/08/10 SCALE 1=1.0	DESCRIPTION BI 1.5-G08-AN7X-0.2M-RS 4T
FINISH	CONTACT TURCK FOR MORE INFORMATION	UNIT OF MEASUREMENT INCH [MILLIMETER]		IDENTIFICATION NO. S4701197	REV D
D UPDATE SENSOR BARREL LENGTH PER ECO REV DESCRIPTION	KMY BY 02/10/14 DATE 44825 ECO NO.	DO NOT SCALE THIS DRAWING		FILE: S4701197	SHEET 1 OF 1

D	UPDATE SENSOR BARREL LENGTH PER ECO	KMY	02/10/14	44825
REV	DESCRIPTION	BY	DATE	ECO NO.