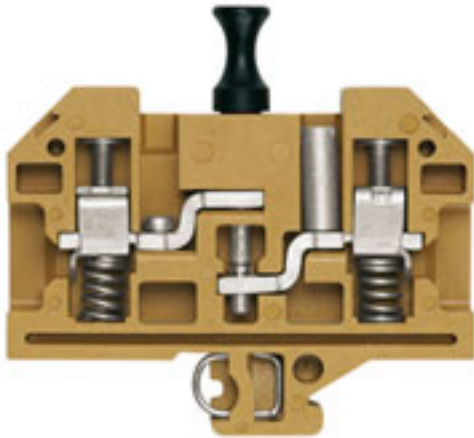


**SAK terminal with spring loaded terminals  
RSF 2**

**Weidmüller Interface GmbH & Co. KG**  
 Klingenbergstraße 16  
 D-32758 Detmold  
 Germany  
 Fon: +49 5231 14-0  
 Fax: +49 5231 14-2083  
 www.weidmueller.com



In order to do justice to the different requirements placed on our products, it is necessary to use various insulating materials tailored to the particular application. None of the insulating materials used by Weidmüller contain any hazardous substances. Above all, we ensure that all our materials are free from cadmium. Furthermore, they contain no colour pigments based on heavy metals and do not lead to the formation of dioxin/furan.

**General ordering data**

Order No.	<a href="#">0623320000</a>
Type	RSF 2
Version	SAK terminal with spring loaded terminals, Disconnect and modular disconnect terminal, Rated cross-section: 6 mm <sup>2</sup> , Screw connection, Direct mounting
GTIN (EAN)	4008190524692
Qty.	20 pc(s).

**SAK terminal with spring loaded terminals  
RSF 2**

Weidmüller Interface GmbH & Co. KG  
Klingenbergstraße 16  
D-32758 Detmold  
Germany  
Fon: +49 5231 14-0  
Fax: +49 5231 14-2083  
www.weidmueller.com

**Technical data**

**Dimensions**

Length	77 mm	Width	11 mm
Height	73 mm	Height of lowest version	73 mm

**Temperatures**

Operating temperature	Storage temperature
-----------------------	---------------------

**Additional technical data**

Explosion-tested version	No	Installation advice	Direct mounting
Number of similar terminals	1	Open sides	right
Type of mounting	Snap-on		

**CSA ratings data**

Certificate No. (CSA)	12000-351	Voltage size B (CSA)	300 V
Voltage size C (CSA)	300 V	Voltage size D (CSA)	600 V
Current size B (CSA)	30 A	Current size C (CSA)	30 A
Current size D (CSA)	5 A	Wire cross section max. (CSA)	8 AWG
Wire cross section min. (CSA)	14 AWG		

**Clampable wires (rated connection)**

Type of connection	Screw connection	Stripping length	12 mm
Blade size	1.0 x 5.5 mm	Connection direction	on side
Number of connections	2	Clamping range, rated connection, min.	0.75 mm <sup>2</sup>
Clamping range, rated connection, max.	16 mm <sup>2</sup>	Clamping screw	M 4
Tightening torque, min.	1.2 Nm	Tightening torque, max.	2.4 Nm
Torque level with DMS electric screwdriver	4	Wire connection cross section, solid core, max. rated connection	0.75 mm <sup>2</sup>
Wire connection cross section, solid core max. rated connection	16 mm <sup>2</sup>	Wire connection cross section, stranded, rated connection, min.	0.5 mm <sup>2</sup>
Wire connection cross section, stranded, rated connection, max.	10 mm <sup>2</sup>	Wire connection cross section, finely stranded, max.	10 mm <sup>2</sup>
Wire connection cross-section, finely stranded, min.	1.5 mm <sup>2</sup>	Wire connection cross section, finely stranded with wire-end ferrules DIN 46228/1, rated connection, min.	0.5 mm <sup>2</sup>
Wire connection cross section, finely stranded with wire-end ferrules DIN 46228/1, rated connection, max.	4 mm <sup>2</sup>		

**Rated data**

Rated cross-section	6 mm <sup>2</sup>	Rated voltage	500 V
Rated impulse withstand voltage	6 kV	Rated current	41 A
Current at maximum wires	41 A	Standards	IEC 60947-7-1
Pollution severity	3		

**UL ratings data**

Certificate No. (UR)	E60693VOL1SEC7	Voltage size B (UR)	600 V
Voltage size C (UR)	600 V	Current size B (UR)	25 A
Current size C (UR)	25 A	Conductor size Factory wiring max. (UR)	8 AWG
Conductor size Factory wiring min. (UR)	14 AWG	Conductor size Field wiring max. (UR)	8 AWG

**SAK terminal with spring loaded terminals  
RSF 2**

**Weidmüller Interface GmbH & Co. KG**  
 Klingenbergstraße 16  
 D-32758 Detmold  
 Germany  
 Fon: +49 5231 14-0  
 Fax: +49 5231 14-2083  
 www.weidmueller.com

**Technical data**
**Material data**

Material	KrG	Colour	beige
Flammability class UL 94	V-0		

**System specifications**

Product family	SAK terminal with spring loaded terminals	Type of connection	Screw connection
Connection direction	on side	Number of levels	1
Number of connections	2	No. of clamping points per level	2
Levels cross-connected internally	No	End cover plate required	Yes

**Classifications**

ETIM 2.0	EC000897	ETIM 3.0	EC000897
ETIM 4.0	EC000897	UNSPSC	30-21-18-11
eClass 4.1	27-14-11-17	eClass 5.1	27-14-11-26
eClass 6.0	27-14-11-20		

**Approvals**

Approvals	CE; CSA; UR
-----------	-------------