

# RXZE2DA

mounting adaptor for DIN rail - for miniature  
relay socket RXZ

## Main

Accessory / separate part category	Mounting accessories
Accessory / separate part designation	Mounting adaptor for DIN rails
Sale per indivisible quantity	10

## Complementary

Accessory / separate part destination	Zelio Relay RXM
Product compatibility	All relays RXM RPM2...
Product weight	0.004 kg

## Environment

RoHS EUR status	Compliant
RoHS EUR conformity date	0801

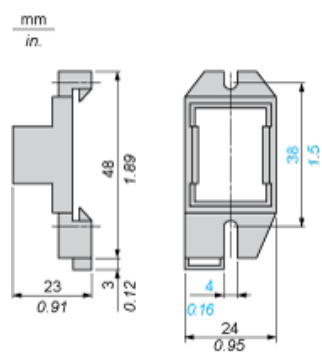
The information provided in this documentation contains general descriptions and/or technical characteristics of the performance of the products contained herein. This documentation is not intended as a substitute for and is not to be used for determining suitability or reliability of these products for specific user applications. It is the duty of any such user or integrator to perform the appropriate and complete risk analysis, evaluation and testing of the products with respect to the relevant specific application or use thereof. Neither Schneider Electric Industries SAS nor any of its affiliates or subsidiaries shall be responsible or liable for misuse of the information contained herein.

---

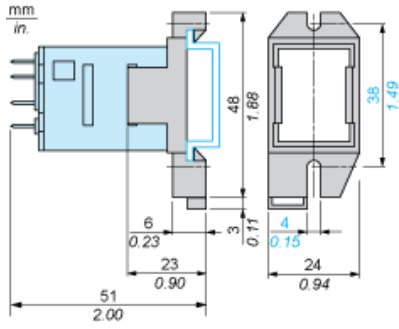
Mounting Adapter for DIN Rail

---

Dimensions



Mounting Adapter for Rails



With this mounting type, test button becomes inaccessible.