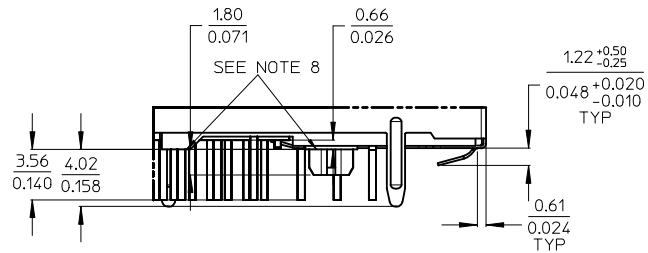
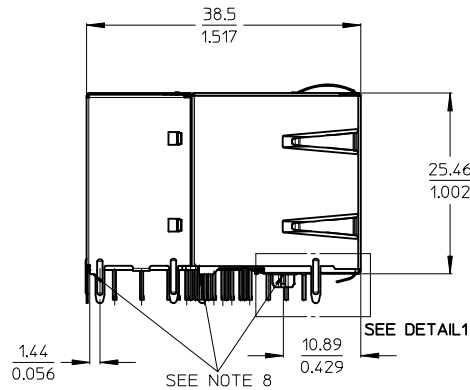
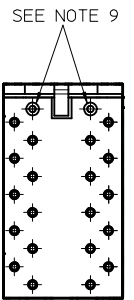


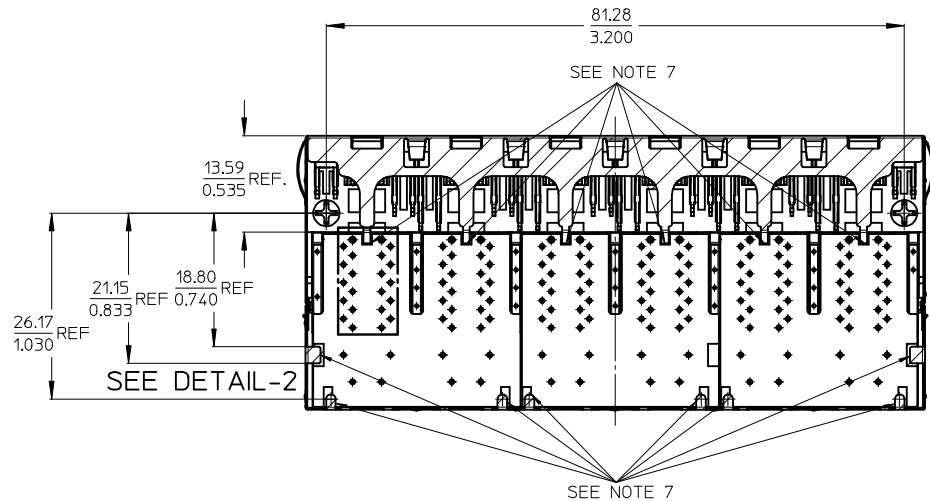
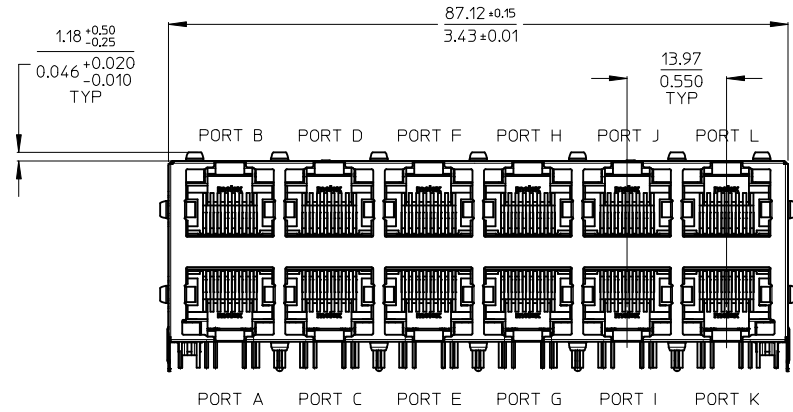
**GIGABIT 12 PORT MAGNETIC JACK WITH LED's
AND INTEGRATED POWER OVER ETHERNET TRANSFORMERS
ACCORDING TO IEEE802.3at FOR PSE APPLICATIONS**



**DETAIL1
SCALE 4:1**



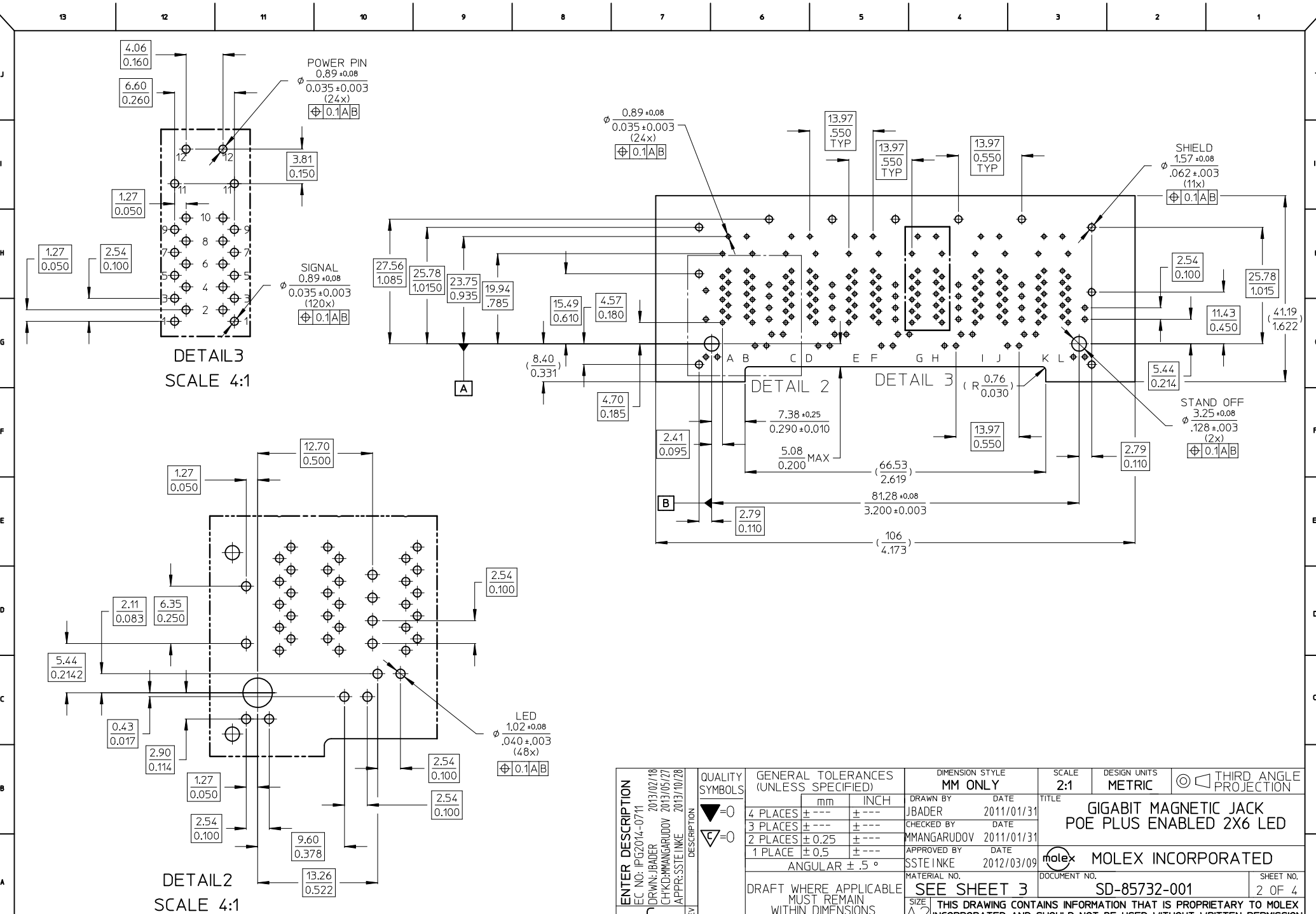
**DETAIL-2
SCALE 4:1**



NOTES:

- 1 - SHIELD MATERIAL: BRASS; PLATING: NICKEL PRE-PLATING
- 2 - PLASTIC MATERIAL: POLYESTER (PBT) BLACK, 30%GR, UL 94 V-0
- 3 - TERMINALS MATERIAL: COPPER ALLOY
-BASE FINISH: NICKEL
-CONTACT SURFACE FINISH GOLD OR GOLD FLASH OVER PALLADIUM NICKEL
EXCEEDS PRODUCT REQUIREMENTS BASED ON PS-85732-001
- 4 - MATING INTERFACE ACCORDING TO IEC 60603-7
- 5 - PRODUCT SPECIFICATION: PS-85732-001
- 6 - PACKAGING SPECIFICATION: PK-85731-001
- 7 - TRACES WITHOUT INSULATION NOT ALLOWED IN THE DASHED AREAS & LATCHES
(TO AVOID SHORTS TO SHIELD)
- 8 - STAND OFF TO SYSTEM BOARD
- 9 - STUBBED PINS -> AVOID TO ROUTE TRACES OR TO PLACE ANY VIAS OR PADS BELOW THESE PINS
- 10 - MISSING MAGNETICS AND LED INFORMATIONS SEE PS-85732-001

ENTER DESCRIPTION EC NO: IPG2014-0711 DRWN: JBADER 2013/02/18 CHKD: MMANGARUDOV 2013/05/27 APPR: SSTE INKE 2013/10/28	QUALITY SYMBOLS ▽=0 ▽=0	GENERAL TOLERANCES (UNLESS SPECIFIED) <table border="1"> <thead> <tr> <th></th> <th>mm</th> <th>INCH</th> </tr> </thead> <tbody> <tr> <td>4 PLACES</td> <td>± ---</td> <td>± ---</td> </tr> <tr> <td>3 PLACES</td> <td>± ---</td> <td>± ---</td> </tr> <tr> <td>2 PLACES</td> <td>± 0.25</td> <td>± ---</td> </tr> <tr> <td>1 PLACE</td> <td>± 0.5</td> <td>± ---</td> </tr> <tr> <td colspan="3">ANGULAR ± .5 °</td> </tr> </tbody> </table>		mm	INCH	4 PLACES	± ---	± ---	3 PLACES	± ---	± ---	2 PLACES	± 0.25	± ---	1 PLACE	± 0.5	± ---	ANGULAR ± .5 °			DIMENSION STYLE MM ONLY	SCALE 2:1	DESIGN UNITS METRIC	THIRD ANGLE PROJECTION
		mm	INCH																					
	4 PLACES	± ---	± ---																					
	3 PLACES	± ---	± ---																					
2 PLACES	± 0.25	± ---																						
1 PLACE	± 0.5	± ---																						
ANGULAR ± .5 °																								
DRAWN BY JBADER 2011/01/31	DATE 2011/01/31	TITLE GIGABIT MAGNETIC JACK POE PLUS ENABLED 2X6 LED																						
CHECKED BY MMANGARUDOV 2011/01/31	DATE 2011/01/31	MATERIAL NO. SEE SHEET 3																						
APPROVED BY SSTE INKE 2012/03/09	DATE 2012/03/09	MOLEX INCORPORATED		DOCUMENT NO. SD-85732-001	SHEET NO. 1 OF 4																			
DRAFT WHERE APPLICABLE MUST REMAIN WITHIN DIMENSIONS																								
THIS DRAWING CONTAINS INFORMATION THAT IS PROPRIETARY TO MOLEX INCORPORATED AND SHOULD NOT BE USED WITHOUT WRITTEN PERMISSION																								



DETAIL 3
SCALE 4:1

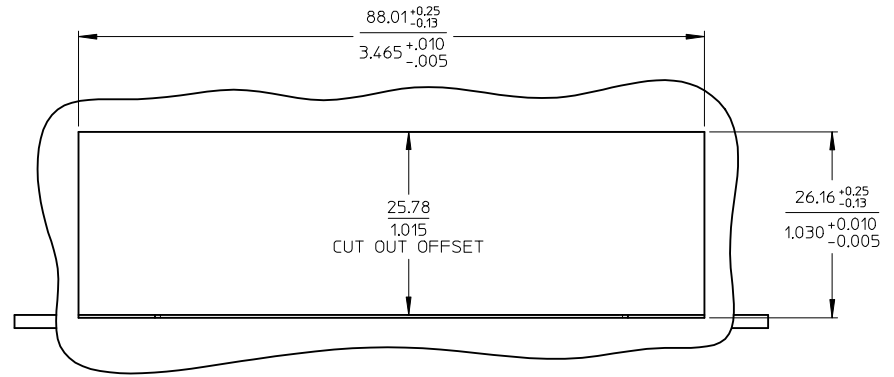
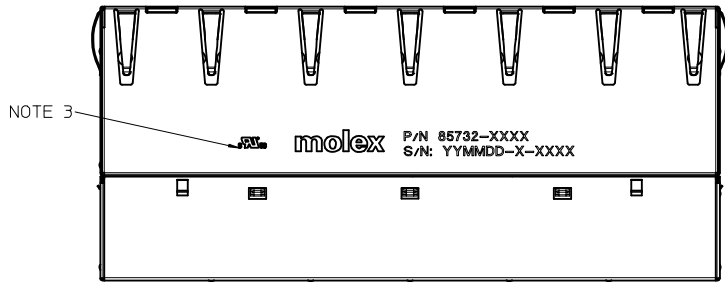
DETAIL 2

DETAIL 3

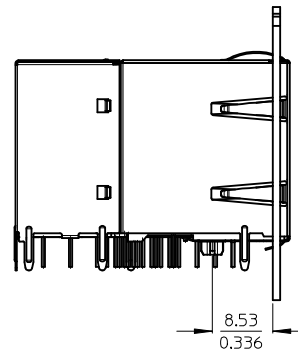
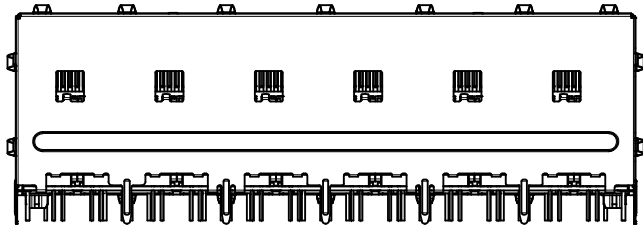
DETAIL 2
SCALE 4:1

ENTER DESCRIPTION EC NO: IPG2014-0711 DRWN: JBADER 2013/02/18 CHKD: MMANGARUDOV 2013/05/27 APPR: SSTEINKE 2013/10/28	QUALITY SYMBOLS ▽=0 ▽=0	GENERAL TOLERANCES (UNLESS SPECIFIED)		DIMENSION STYLE MM ONLY		SCALE 2:1	DESIGN UNITS METRIC	THIRD ANGLE PROJECTION		
		4 PLACES ± --- ± ---	3 PLACES ± --- ± ---	2 PLACES ± 0.25 ± ---	1 PLACE ± 0.5 ± ---	ANGULAR ± .5°	DRAFT WHERE APPLICABLE MUST REMAIN WITHIN DIMENSIONS	DRAWN BY JBADER	DATE 2011/01/31	TITLE GIGABIT MAGNETIC JACK POE PLUS ENABLED 2X6 LED
		APPROVED BY SSTEINKE	DATE 2012/03/09	MOLEX INCORPORATED		MATERIAL NO. SEE SHEET 3	DOCUMENT NO. SD-85732-001	SHEET NO. 2 OF 4		
		THIS DRAWING CONTAINS INFORMATION THAT IS PROPRIETARY TO MOLEX INCORPORATED AND SHOULD NOT BE USED WITHOUT WRITTEN PERMISSION								

PRINTING
LED VERSION
P/N: 85732-XXXX
S/N: YYMMDD-0M-CONSECUTIVE NUMBER

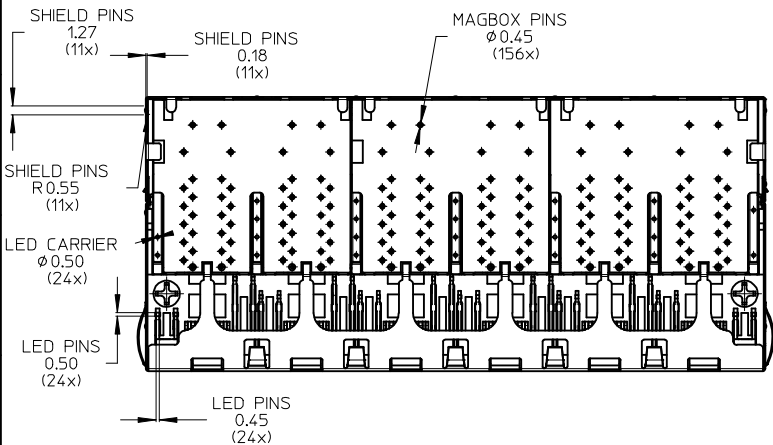


SUGGESTED PANEL CUT OUT



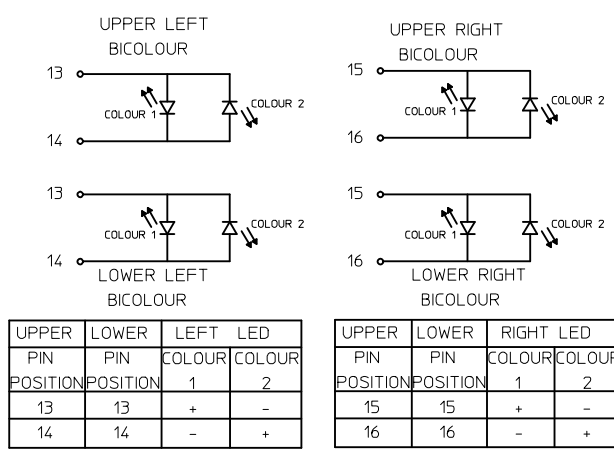
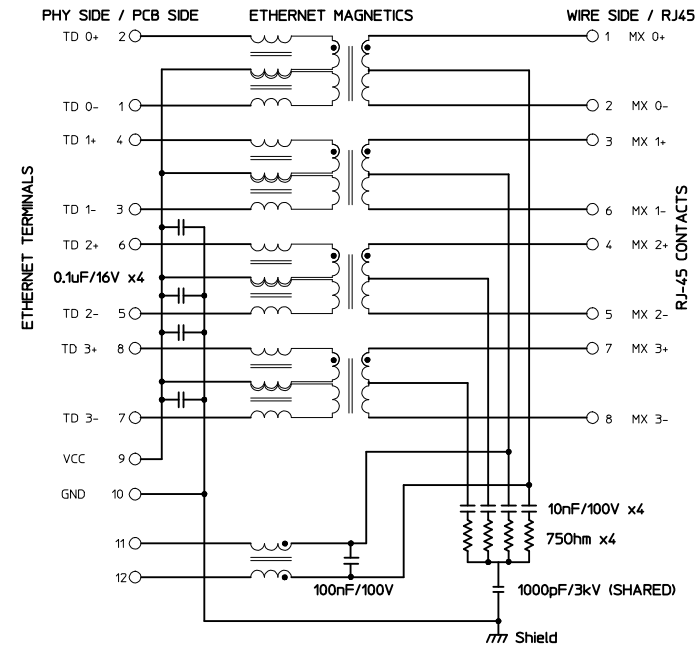
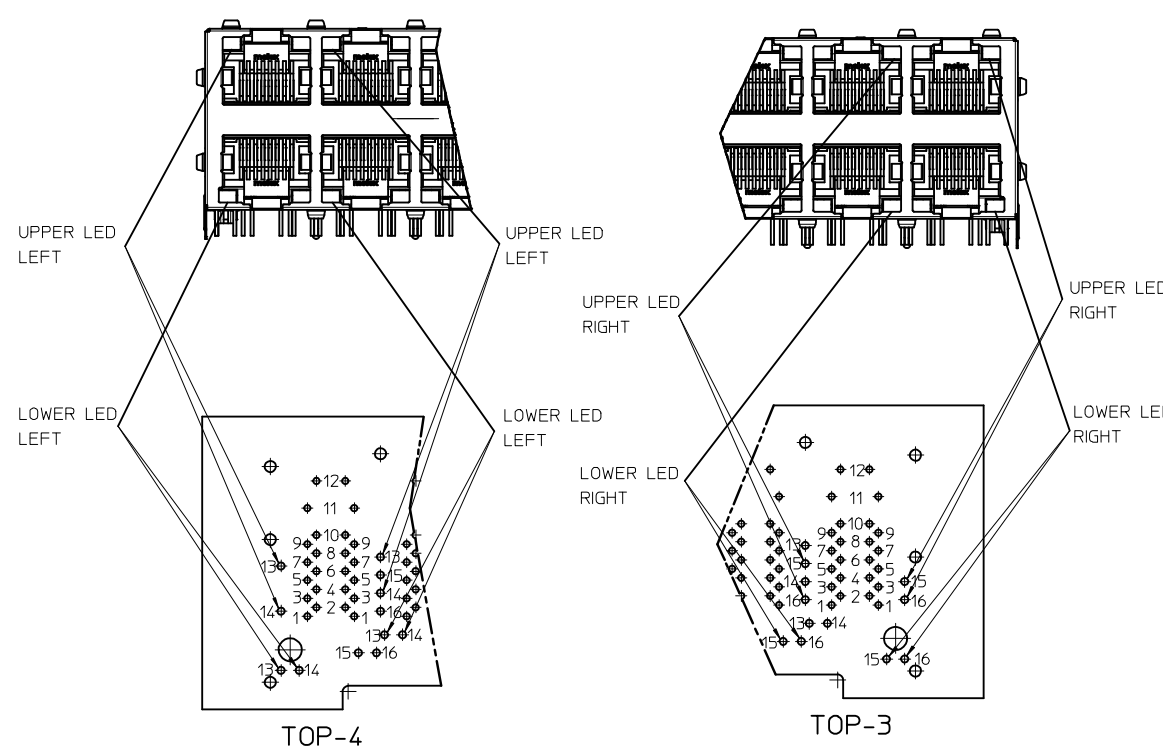
PART NUMBER	UPPER & LOWER LED LEFT		UPPER & LOWER LED RIGHT	
	COLOUR 1	COLOUR 2	COLOUR 1	COLOUR 2
85732-1001	GREEN	-	GREEN	-
85732-1002	GREEN	-	ORANGE	-
85732-1003	GREEN	-	GREEN	-
85732-1004	GREEN	ORANGE	GREEN	-
85732-1006	GREEN	ORANGE	YELLOW	-
85732-1007	GREEN	YELLOW	GREEN	-
85732-1008	GREEN	YELLOW	GREEN	-
85732-1012	YELLOW	GREEN	GREEN	-
85732-1013	YELLOW	GREEN	YELLOW	-
85732-1014	YELLOW	-	GREEN	-

ADDITIONAL LED COLOURS AND CONFIGURATIONS ARE AVAILABLE ON REQUEST



- NOTES:
- PRINTING MARKED BY LASER
 - INSCRIPTION:
1st LINE: PART NUMBER
2nd LINE: DATE CODE (YEAR, MONTH, DAY) - MANUFACTURER ID - CONSECUTIVE NUMBER
 - UL LOGO

ENTER DESCRIPTION EC NO: IPG2014-0711 DRWN: JBADER 2013/02/18 CHKD: MMANGARUDOV 2013/05/27 APPR: SSTE INKE 2013/10/28	QUALITY SYMBOLS ▽=0 ▽=0	GENERAL TOLERANCES (UNLESS SPECIFIED)		DIMENSION STYLE MM ONLY	SCALE 2:1	DESIGN UNITS METRIC	THIRD ANGLE PROJECTION
		4 PLACES ± --- ± ---	3 PLACES ± --- ± ---	2 PLACES ± 0.25 ± ---	1 PLACE ± 0.5 ± ---	ANGULAR ± .5 °	DRAWN BY JBADER
DRAFT WHERE APPLICABLE MUST REMAIN WITHIN DIMENSIONS	SEE BOM	THIS DRAWING CONTAINS INFORMATION THAT IS PROPRIETARY TO MOLEX INCORPORATED AND SHOULD NOT BE USED WITHOUT WRITTEN PERMISSION		TITLE GIGABIT MAGNETIC JACK POE PLUS ENABLED 2X6 LED			
		MATERIAL NO.		DOCUMENT NO.		SHEET NO. 3 OF 4	



UPPER POSITION	LOWER POSITION	LEFT COLOUR	RIGHT COLOUR
13	14	+	-
15	16	-	+

POWER-SUPPLY POLARITY DEFINITION
TO ACHIEVE PoE POWER ASSIGNMENT
ACCORDING IEEE 802.3at
ALTERNATIVE A:

	MDI-X	MDI
PIN 11	Vc+	Vc-
PIN 12	Vc-	Vc+

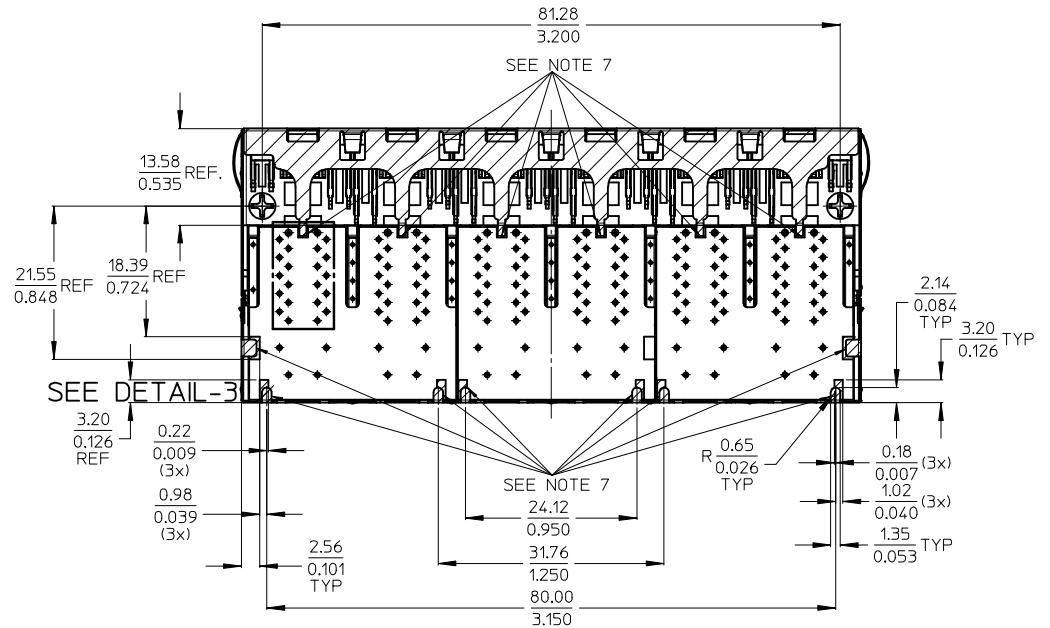
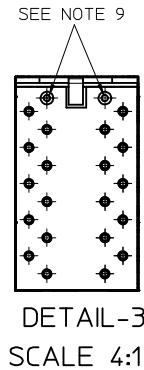
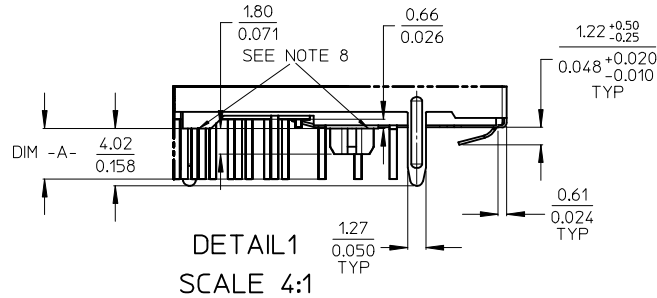
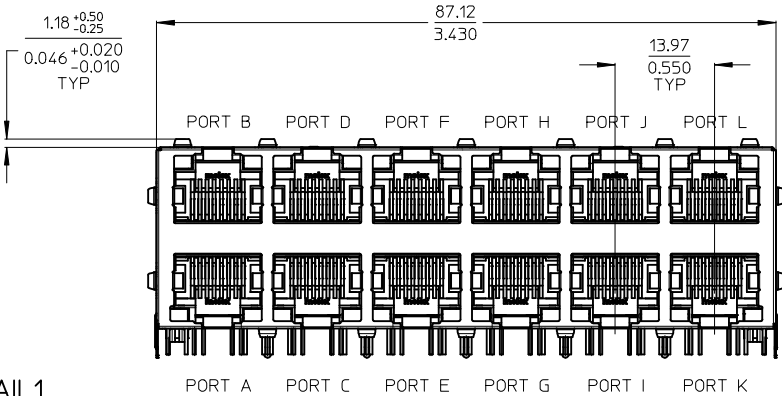
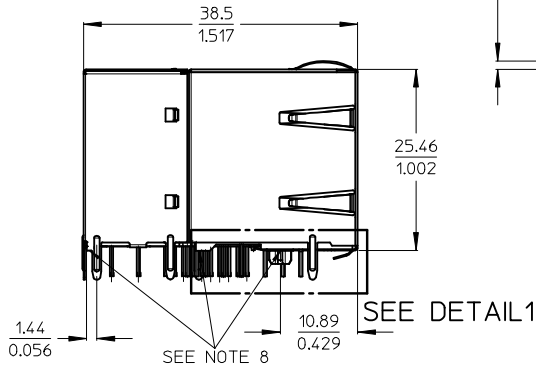
PIN	ETHERNET MAGNETICS
10	GND
9	VCC
8	TD 3+
7	TD 3-
6	TD 2+
5	TD 2-
4	TD 1+
3	TD 1-
2	TD 0+
1	TD 0-
11	PWR 3-6
12	PWR 1-2

ENTER DESCRIPTION EC NO: IPG2014-0711 DRAWN: JBADER 2013/02/18 CHKD: MMANGARUDOV 2013/05/27 APPR: SSTEINKE 2013/10/28	QUALITY SYMBOLS ▽=0 ▽=0	GENERAL TOLERANCES (UNLESS SPECIFIED) <table border="1"> <thead> <tr> <th></th> <th>mm</th> <th>INCH</th> </tr> </thead> <tbody> <tr> <td>4 PLACES</td> <td>± .005</td> <td>± .0002</td> </tr> <tr> <td>3 PLACES</td> <td>± .005</td> <td>± .0002</td> </tr> <tr> <td>2 PLACES</td> <td>± 0.25</td> <td>± .010</td> </tr> <tr> <td>1 PLACE</td> <td>± 0.5</td> <td>± .020</td> </tr> </tbody> </table> ANGULAR ± .5°		mm	INCH	4 PLACES	± .005	± .0002	3 PLACES	± .005	± .0002	2 PLACES	± 0.25	± .010	1 PLACE	± 0.5	± .020	DIMENSION STYLE MM ONLY	SCALE 2:1	DESIGN UNITS METRIC	THIRD ANGLE PROJECTION
				mm	INCH																
4 PLACES	± .005	± .0002																			
3 PLACES	± .005	± .0002																			
2 PLACES	± 0.25	± .010																			
1 PLACE	± 0.5	± .020																			
DRAWN BY: JBADER DATE: 2011/01/31 CHECKED BY: MMANGARUDOV DATE: 2011/01/31 APPROVED BY: SSTEINKE DATE: 2012/03/09	TITLE GIGABIT MAGNETIC JACK POE PLUS ENABLED 2X6 LED			MOLEX INCORPORATED																	
DRAFT WHERE APPLICABLE MUST REMAIN WITHIN DIMENSIONS		MATERIAL NO. SEE SHEET 3		DOCUMENT NO. SD-85732-001		SHEET NO. 4 OF 4															
THIS DRAWING CONTAINS INFORMATION THAT IS PROPRIETARY TO MOLEX INCORPORATED AND SHOULD NOT BE USED WITHOUT WRITTEN PERMISSION																					

**GIGABIT 12 PORT MAGNETIC JACK WITH LED's
AND INTEGRATED POWER OVER ETHERNET TRANSFORMERS
WITHOUT POWER LINE CHOKE
ACCORDING TO IEEE802.3at FOR PSE APPLICATIONS**

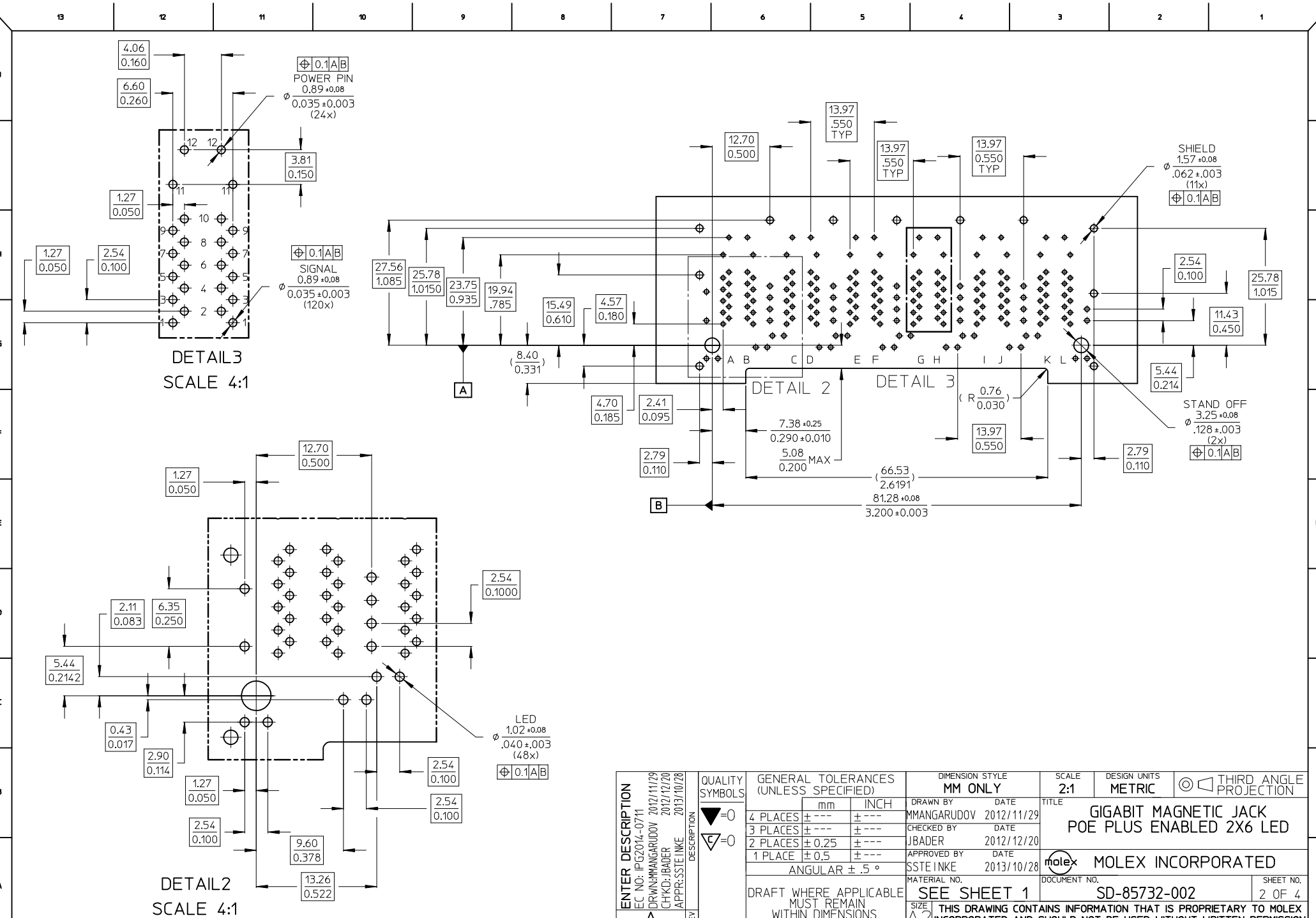
PART NUMBER	UPPER & LOWER LED LEFT	UPPER & LOWER LED RIGHT	DIM-A-
85732-2001	COLOR 1 GREEN COLOR 2 -	COLOR 1 GREEN COLOR 2 -	3,56MM 0,14 INCH
85732-2004	COLOR 1 GREEN COLOR 2 ORANGE	COLOR 1 GREEN COLOR 2 ORANGE	3,56MM 0,14 INCH

ADDITIONAL LED COLORS AND CONFIGURATIONS ARE AVAILABLE ON REQUEST



- NOTES:
- 1 - SHIELD MATERIAL: BRASS; PLATING: NICKEL PRE-PLATING
 - 2 - PLASTIC MATERIAL: POLYESTER (PBT) BLACK, 30%GR, UL 94 V-0
 - 3 - TERMINALS MATERIAL: COPPER ALLOY
RJ45 CONTACT PLATING: 0.76 MICROMETER GOLD OVER 1.9 MICROMETER NICKEL
SOLDER TERMINALS: 3 MICROMETER TIN
 - 4 - MATING INTERFACE ACCORDING TO IEC 60603-7
 - 5 - PRODUCT SPECIFICATION: PS-85732-001
 - 6 - PACKAGING SPECIFICATION: PK-85731-001
 - 7 - TRACES WITHOUT INSULATION NOT ALLOWED IN THE DASHED AREAS & LATCHES (TO AVOID SHORTS TO SHIELD)
 - 8 - STAND OFF TO SYSTEM BOARD
 - 9 - STUBBED PINS -> AVOID TO ROUTE TRACES OR TO PLACE ANY VIAS OR PADS BELOW THESE PINS
 - 10- MISSING MAGNETIC AND LED INFORMATIONS SEE SPEC

ENTER DESCRIPTION EC NO: IFC2014-0711 DRW:MMANGARUDOV 2012/11/29 CHKD:JBADER 2012/12/20 APPR:SSSTEINKE 2013/10/28	QUALITY SYMBOLS ▽=0 ▽=0	GENERAL TOLERANCES (UNLESS SPECIFIED)		DIMENSION STYLE MM ONLY		SCALE 2:1	DESIGN UNITS METRIC	THIRD ANGLE PROJECTION
		4 PLACES ± --- ± ---	3 PLACES ± --- ± ---	2 PLACES ± 0.25 ± ---	1 PLACE ± 0.5 ± ---	ANGULAR ± .5 °	DRAWN BY MMANGARUDOV 2012/11/29	DATE 2012/11/29
A	DESCRIPTION	DRAFT WHERE APPLICABLE MUST REMAIN WITHIN DIMENSIONS		APPROVED BY SSTEINKE 2013/10/28		MATERIAL NO. SEE BOM		DOCUMENT NO. SD-85732-002
		THIS DRAWING CONTAINS INFORMATION THAT IS PROPRIETARY TO MOLEX INCORPORATED AND SHOULD NOT BE USED WITHOUT WRITTEN PERMISSION						

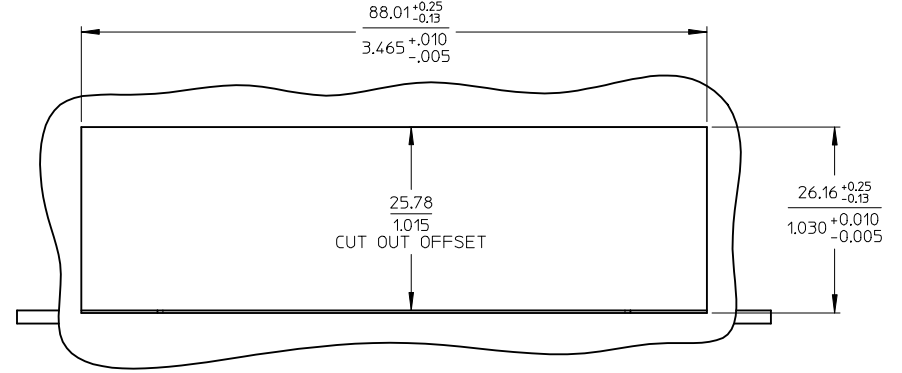
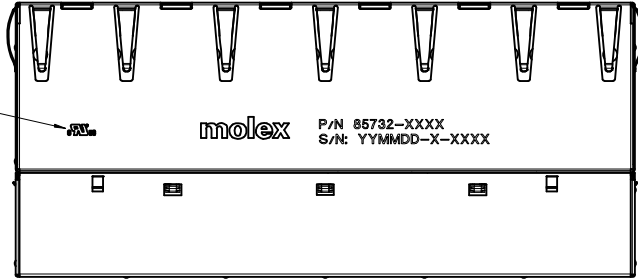


ENTER DESCRIPTION EC NO: IPG2014-0711 DRWN:MMANGARUDOV 2012/11/29 CHKD:JBADER 2012/12/20 APPR:SSTEINKE 2013/10/28 REV: A	QUALITY SYMBOLS ▽=0 ▽=0	GENERAL TOLERANCES (UNLESS SPECIFIED)		DIMENSION STYLE MM ONLY		SCALE 2:1	DESIGN UNITS METRIC	THIRD ANGLE PROJECTION		
		4 PLACES ± --- ± ---	3 PLACES ± --- ± ---	2 PLACES ± 0.25 ± ---	1 PLACE ± 0.5 ± ---	DRAWN BY MMANGARUDOV	DATE 2012/11/29	TITLE GIGABIT MAGNETIC JACK POE PLUS ENABLED 2X6 LED		
		ANGULAR ± .5 °				CHECKED BY JBADER	DATE 2012/12/20	MOLEX INCORPORATED		
		DRAFT WHERE APPLICABLE MUST REMAIN WITHIN DIMENSIONS				APPROVED BY SSTEINKE	DATE 2013/10/28	MATERIAL NO. SEE SHEET 1	DOCUMENT NO. SD-85732-002	SHEET NO. 2 OF 4

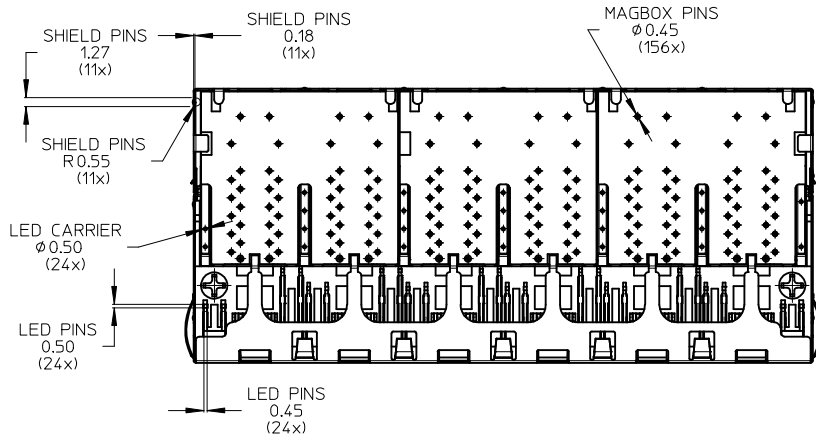
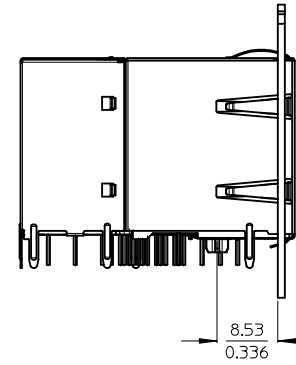
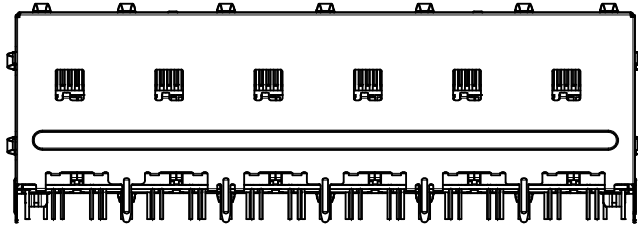
PRINTING
LED VERSION
P/N: 85732-XXXX
S/N: YYMMDD-CM-CONSECUTIVE NUMBER

PRINTING

NOTE 3

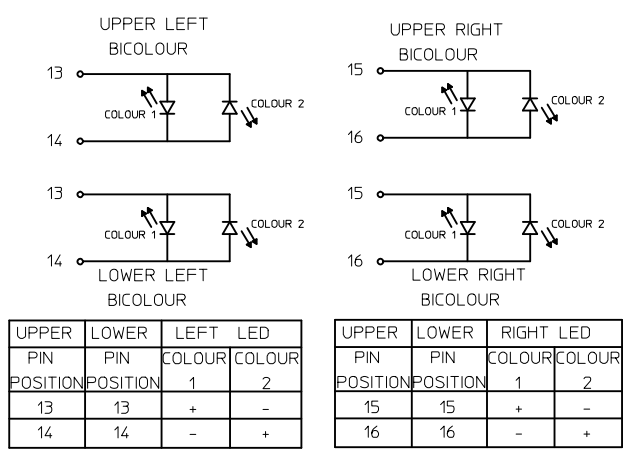
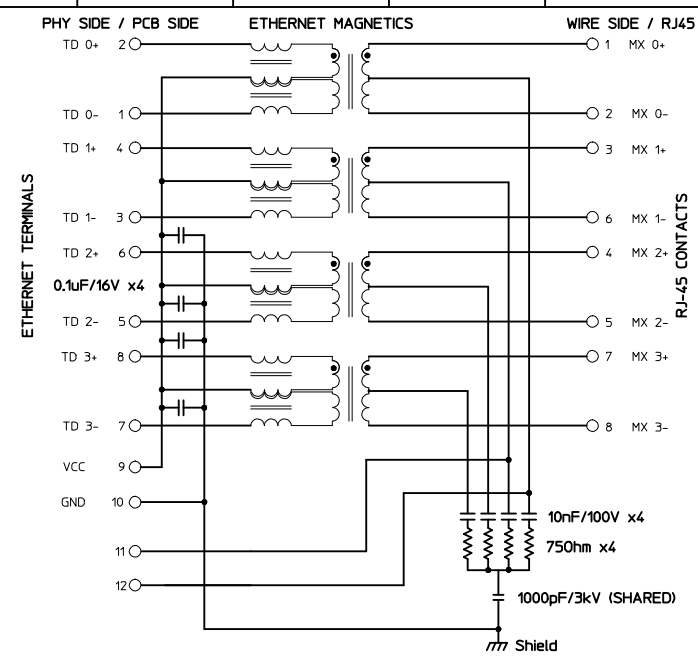
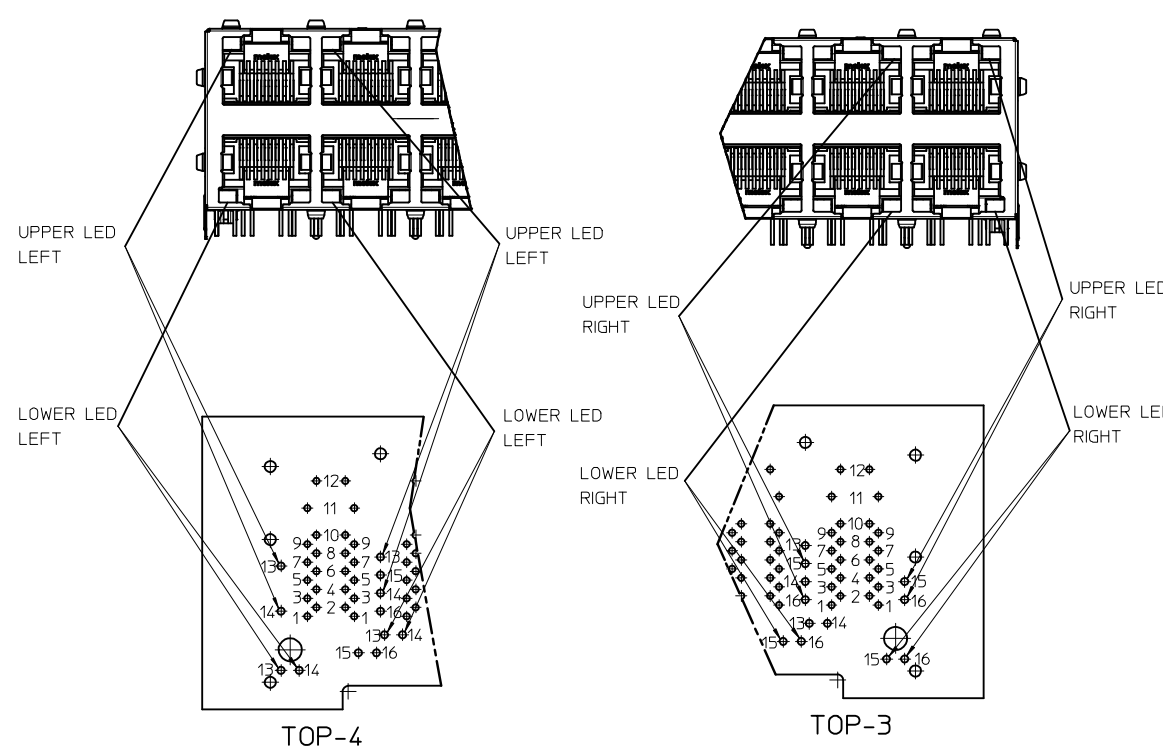


SUGGESTED PANEL CUT OUT



- NOTES:
1 - PRINTING MARKED BY LASER
2 - INSCRIPTION:
1st LINE: PART NUMBER
2nd LINE: DATE CODE (YEAR, MONTH, DAY)- MANUFACTURER ID - CONSECUTIVE NUMBER
3 - UL LOGO

ENTER DESCRIPTION EC NO: IPG2014-0711 DRWN:MMANGARUDOV 2012/11/29 CHKD:JBADER 2012/12/20 APPR:SSTEINKE 2013/10/28	QUALITY SYMBOLS ▽=0 ▽=0	GENERAL TOLERANCES (UNLESS SPECIFIED)		DIMENSION STYLE MM ONLY		SCALE 2:1	DESIGN UNITS METRIC	THIRD ANGLE PROJECTION	
		4 PLACES ± ---	± ---	mm	INCH	DRAWN BY MMANGARUDOV	DATE 2012/11/29	TITLE GIGABIT MAGNETIC JACK POE PLUS ENABLED 2X6 LED	
A	DESCRIPTION REV	3 PLACES ± ---	± ---	APPROVED BY SSTEINKE		DATE 2012/12/20	MOLEX INCORPORATED		
		2 PLACES ± 0.25	± ---	MATERIAL NO. SEE SHEET 1		DATE 2013/10/28	DOCUMENT NO. SD-85732-002	SHEET NO. 3 OF 4	
		1 PLACE ± 0.5	± ---	DRAFT WHERE APPLICABLE MUST REMAIN WITHIN DIMENSIONS					THIS DRAWING CONTAINS INFORMATION THAT IS PROPRIETARY TO MOLEX INCORPORATED AND SHOULD NOT BE USED WITHOUT WRITTEN PERMISSION
		ANGULAR ± .5 °							



POWER-SUPPLY POLARITY DEFINITION
TO ACHIEVE PoE POWER ASSIGNMENT
ACCORDING IEEE 802.3at
ALTERNATIVE A:

	MDI-X	MDI
PIN 11	Vc+	Vc-
PIN 12	Vc-	Vc+

PIN	ETHERNET MAGNETICS
10	GND
9	VCC
8	TD 3+
7	TD 3-
6	TD 2+
5	TD 2-
4	TD 1+
3	TD 1-
2	TD 0+
1	TD 0-
11	PWR 3-6
12	PWR 1-2

ENTER DESCRIPTION EC NO: IFC2014-0711 DRWN:MMANGARUDOV 2012/11/29 CHKD:JBADER 2012/12/20 APPR:SSTEINKE 2013/10/28	QUALITY SYMBOLS ▽=0 ▽=0	GENERAL TOLERANCES (UNLESS SPECIFIED) <table border="1"> <thead> <tr> <th></th> <th>mm</th> <th>INCH</th> </tr> </thead> <tbody> <tr><td>4 PLACES</td><td>± .005</td><td>± .0002</td></tr> <tr><td>3 PLACES</td><td>± .005</td><td>± .0002</td></tr> <tr><td>2 PLACES</td><td>± 0.25</td><td>± .010</td></tr> <tr><td>1 PLACE</td><td>± 0.5</td><td>± .020</td></tr> </tbody> </table> ANGULAR ± .5°		mm	INCH	4 PLACES	± .005	± .0002	3 PLACES	± .005	± .0002	2 PLACES	± 0.25	± .010	1 PLACE	± 0.5	± .020	DIMENSION STYLE MM ONLY	SCALE 2:1	DESIGN UNITS METRIC	THIRD ANGLE PROJECTION
				mm	INCH																
4 PLACES	± .005	± .0002																			
3 PLACES	± .005	± .0002																			
2 PLACES	± 0.25	± .010																			
1 PLACE	± 0.5	± .020																			
DRAWN BY MMANGARUDOV 2012/11/29	DATE 2012/11/29	CHECKED BY JBADER 2012/12/20	DATE 2012/12/20	GIGABIT MAGNETIC JACK POE PLUS ENABLED 2X6 LED																	
APPROVED BY SSTEINKE 2013/10/28		DATE 2013/10/28	MOLEX INCORPORATED																		
MATERIAL NO. SEE SHEET 1		DOCUMENT NO. SD-85732-002	SHEET NO. 4 OF 4		THIS DRAWING CONTAINS INFORMATION THAT IS PROPRIETARY TO MOLEX INCORPORATED AND SHOULD NOT BE USED WITHOUT WRITTEN PERMISSION																