



GE
Lighting



T8 Watt-Miser™ - G13 Cap
TU@F58/T8/830/GE/51W WATT-MISER/SL
1-25

Ë Ñ ï €

Product information

T8 Watt-Miser™ lamps are triphosphor fluorescent lamps with 26mm outer diameter for indoor applications. These new lamps offer significant energy savings versus standard T8 linear fluorescent lamps.



Product data

Cap/Base	G13
Bulb Shape	Tubular
Bulb Diameter [mm]	26
Cap to Cap Length (Max) [mm]	1500
Net weight per piece [g]	182
Gross weight per piece [g]	268
Mercury Content [mg]	2.5
UV radiance	Exempt
Regulatory comment	EUP related
Brand	General Electric (GE)

Performance data

Colour Code	830
Colour Rendering Index (CRI) [Ra]	85
Nominal correlated colour temperature (CCT) [K]	3000
Nominal lumens [lm]	4320
Lumen at 25°C [lm]	4320
Rated efficacy [lm/W]	88
Energy efficiency class (EEC)	A
Rated Life [h]	15000
Rated median life on electromagnetic (EM) ballast on IEC 12-hour cycle	18000
Rated median life on electronic (HF) ballast on IEC 12-hour cycle	23000
Rated median life on electronic (HF) ballast on IEC 3-hour cycle	20000
Nominal power [W]	51

Electrical data

Weighted energy consumption [kWh/1000h]	59.07
Design Ambient Temperature [°C]	30
Design Lamp ambient temperature [°C]	30
Starting ambient temperature range	-15
Dimming Capability	Yes

Application areas



Retail



Office

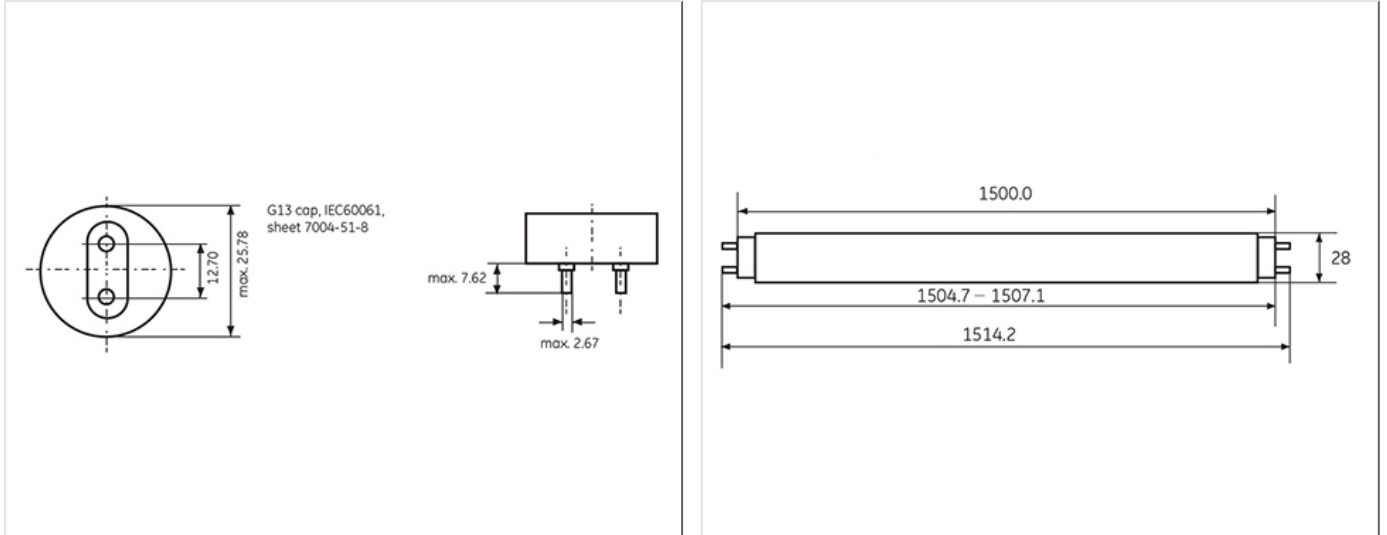


Education

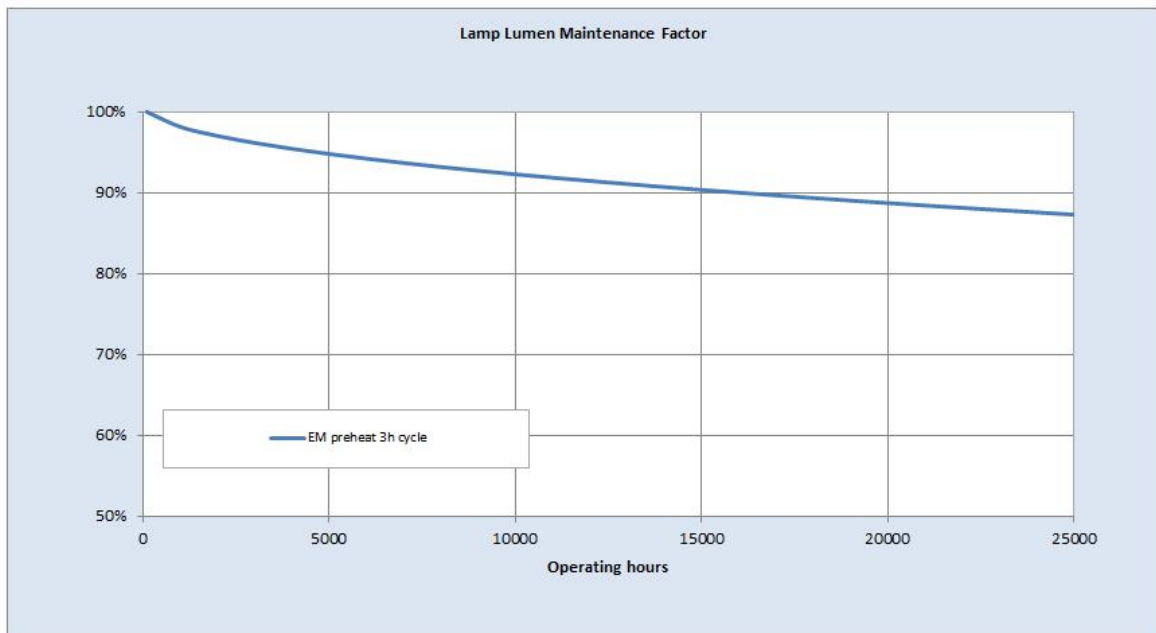


Industrial

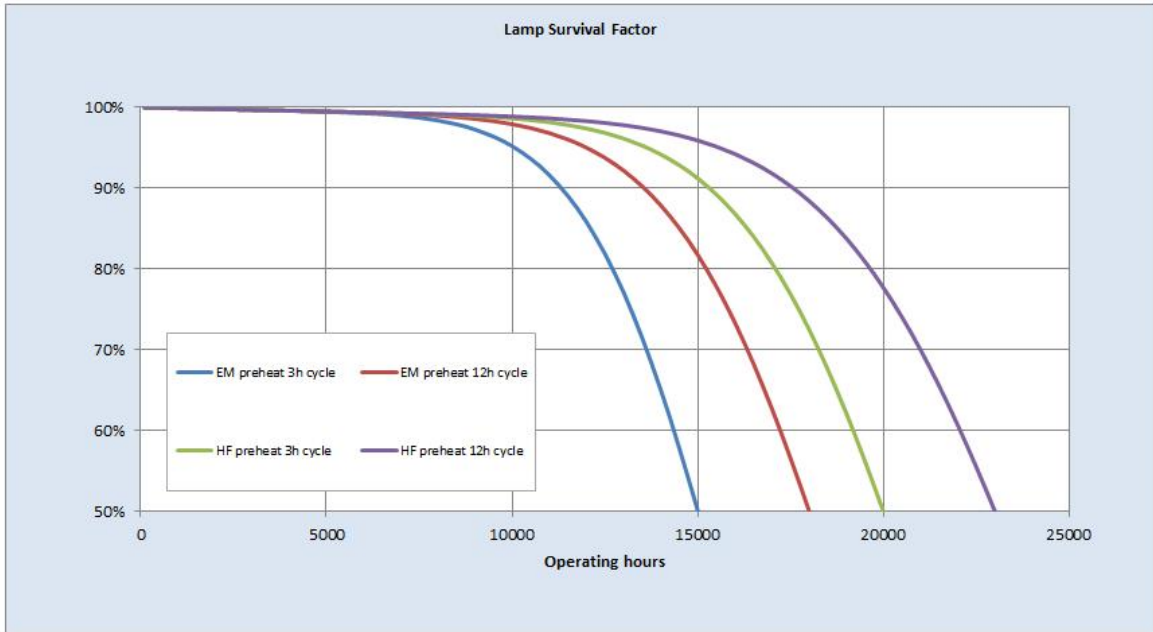
Technical drawing



Lumen maintenance data



Survival Data



Service life data

