



FAN SPEED CONTROL MODULE

VAC2-2E-RFI
X10522

INTRODUCTION

The compact VAC control module is designed for control of fan speed in a wide range of heating and ventilation applications.

Installation is simplified, with just two connections for in-line wiring to the mains supply.

The fan speed is set by an adjustable cermet. An internal RC snubber network makes the unit ideal for inductive fan loads up to 2A.

APPLICATIONS

Most mains ac fans and other inductive loads.

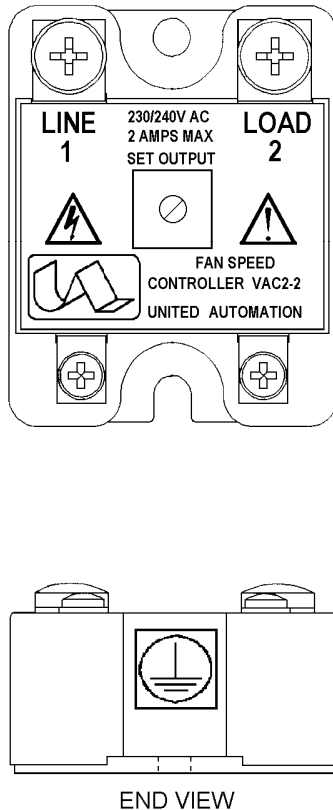
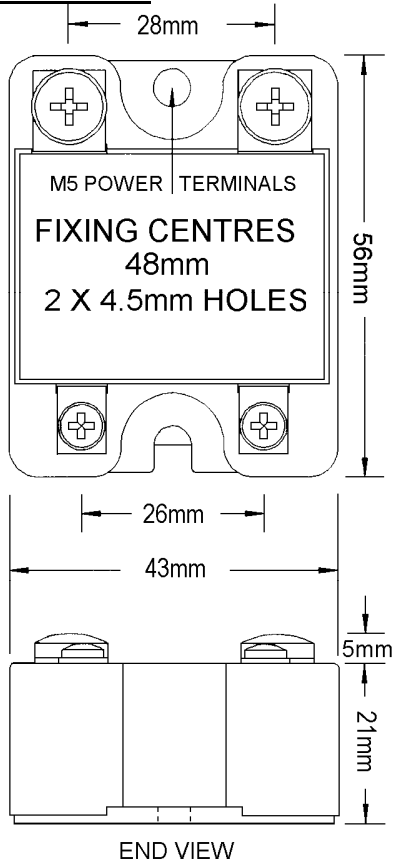


FEATURES

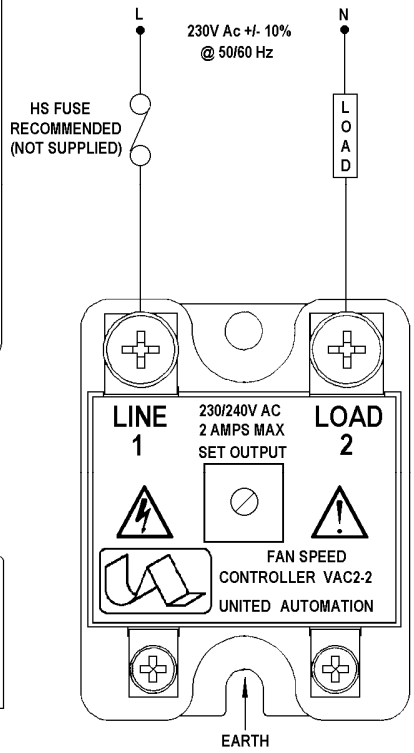
- Compact.
- Solid state reliability.
- Adjustable speed output.
- Simple wiring required.
- Internal RFI Filter.



INSTALLATION



NOTE: SWITCH OFF SUPPLY BEFORE COMMENCING ANY SERVICING WORK
THIS UNIT MUST BE EARTHED



SPECIFICATIONS

| | |
|-----------------------------|-------------------------|
| ac line voltage | 230V +/- 10% @ 50/60 Hz |
| Unit limiting rms current | 2A |
| Max peak voltage | 600V ac |
| Peak one cycle surge (10ms) | 10A |
| Minimum operating current | 200mA |
| Isolation voltage | 2kV |
| Leakage current | 10mA |
| Max. operating temperature | 65°C |
| Storage temperature | 0 to 65°C |

FUSING

It is recommended to use semiconductor fast acting type fuses or circuit breakers (semiconductor-MCB) for unit/device protection. On initial 'switch on' some loads may need an increased Factor of Safety (F of S) for unit and/or device protection. See SRA Datasheet for further information.

CE MARKING

This product family carries a "CE marking". For information see recommendation section and contact our sales desk, see Declaration of Conformity.

RECOMMENDATIONS

Other documents available on request, which may be appropriate for your application:-

| CODE | IDENTITY | DESCRIPTION |
|-------------|-----------------|----------------------------------------------------------------------------------------------------------------------------------------------------------------|
| X10229 | RFI | Single Phase Filtering recommendations - addressing EMC Directive |
| X10213 | ITA | Interaction, uses for phase angle and for burst fire control. |
| X10255 | SRA (LVD) | Safety requirements - addressing the Low Voltage Directive including: thermal data/cooling, "Live" parts warning & Earth requirements; Fusing recommendations. |
| P01.1 | COS | UAL Conditions of sale. |

NOTE: It is recommended that installation and maintenance of this equipment should be done with reference to the current edition of the I.E.T. (formally I.E.E.) regulations (BS7671) by suitably qualified/trained personnel. The regulations contain important requirements regarding installation and safety of electrical equipment. Specific installers should refer to local and national regulations.

ORDER CODE: State part number: VAC2-2E- RFI 2A, 230v



UNITED AUTOMATION LIMITED

Southport Business Park
Wight Moss Way
Southport, PR8 4HQ
ENGLAND

Tel: 0044 (0) 1704 – 516500
Fax: 0044 (0) 1704 – 516501
enquiries@united-automation.com
www.united-automation.com

