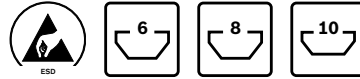


Bow-type handle

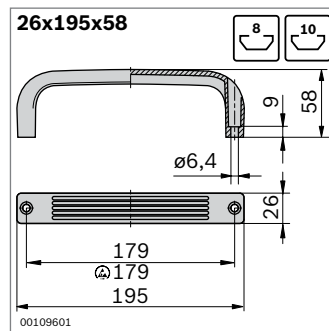
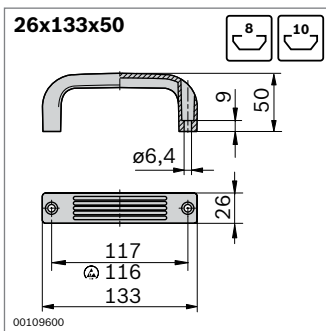
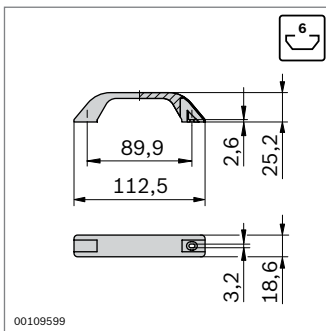


Bow-type handle

- ▶ Robust construction equipped to withstand strong forces
- ▶ Fastening in the profile slot or on a woven wire grille with the clamping element
- ▶ Suitable for use in ESD-protected environments

Optional accessories:

- ▶ clamping element for mounting on woven wire grille (p. 10-19)
- ▶ T-nut (p. 3-4)



Bow-type handle	ESD	No.
	10	3 842 518 738

Material: PE; black

Bow-type handle	ESD	No.
26x133x50	10	3 842 525 480
	10	3 842 525 481
26x195x58	10	3 842 525 766
	10	3 842 525 767

Material: PA; black