



**Emergency switching off key-operated button, 1N/O
+1N/C, surface mounting**



Powering Business Worldwide™

Part no. M22-PVS/KC11/IY
Article no. 216523
Catalog No. M22-PVS-KC11-IYQ

Delivery programme

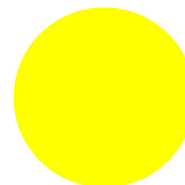
Product range
Basic function
Single unit/Complete unit
Description

Mushroom colour (yellow base)

Mushroom colour (yellow base)

RMQ-Titan (drilling dimensions 22.5 mm)
Emergency stop buttons
Complete unit
With 1 key
Lock mechanism MS1

Yellow

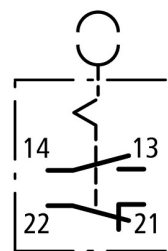


Function
Number of locations
Contacts
N/O = Normally open
Contact sequence

Qty.

Pull-release
1

1 N/O



RAL 1004
Bezel: Silver
no

RAL Value
Front ring
Connection to SmartWire-DT

Approvals

Product Standards
UL File No.
UL Category Control No.
CSA File No.
CSA Class No.
North America Certification
Degree of Protection

IEC/EN 60947-5; UL 508; CSA-C22.2 No. 14-05; CSA-C22.2 No. 94-91; CE marking
E29184
NKCR
012528
3211-03
UL listed, CSA certified
UL/CSA Type 3R, 4X, 12, 13

General

Standards

Lifespan, mechanical

Operating frequency

Actuating force
Protection type
Climatic proofing

Ambient temperature
Open
Mounting position
Mechanical shock resistance

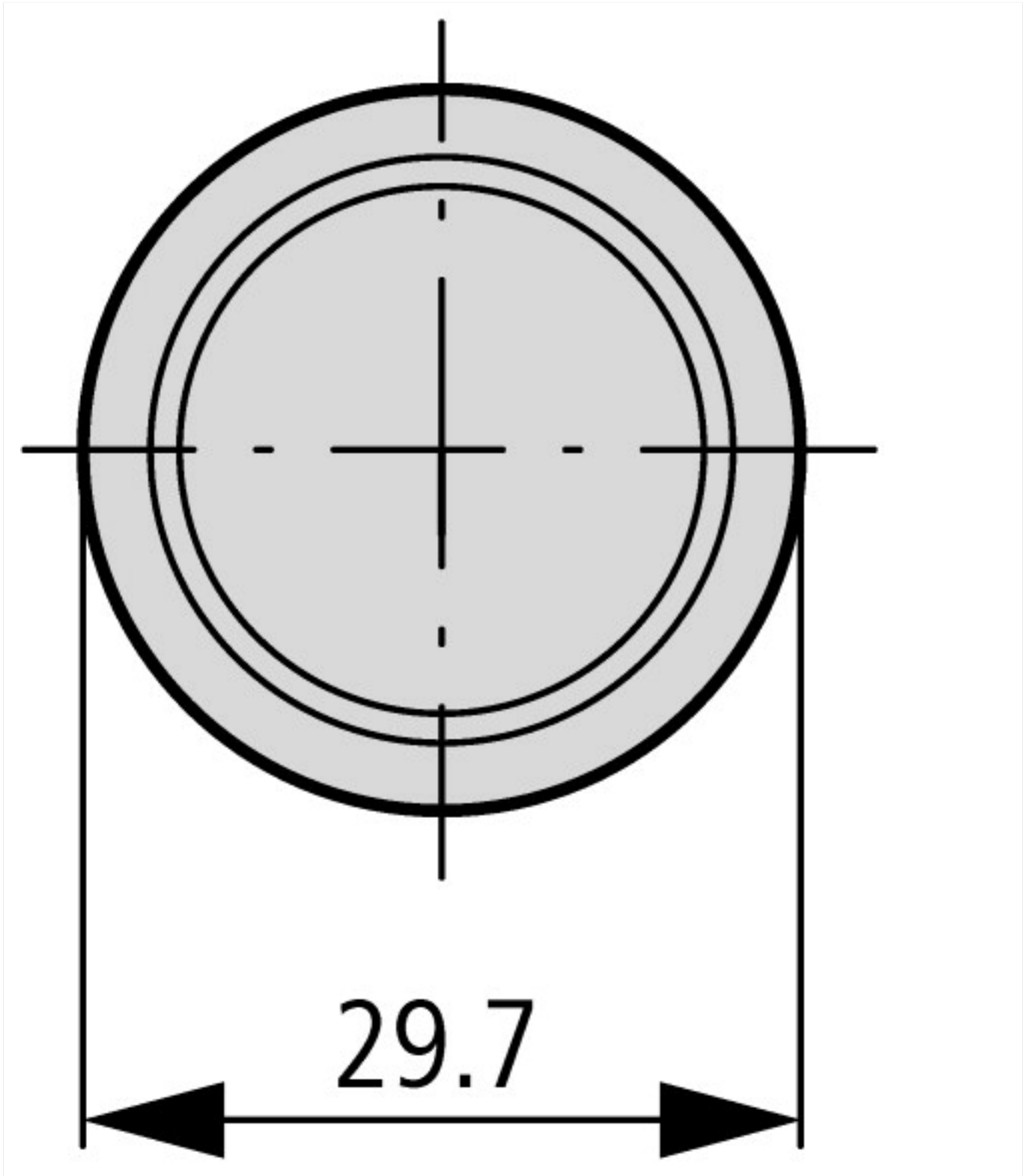
Standards		IEC/EN 60947 VDE 0660
Lifespan, mechanical	Operations x 10 ⁶	> 0.1
Operating frequency	Operations/ h	≦ 600
Actuating force	n	50
Protection type		IP67, IP69K
Climatic proofing		Damp heat, constant, to IEC 60068-2-78 Damp heat, cyclic, to IEC 60068-2-30
Ambient temperature	°C	
Open	°C	- 25 - + 70
Mounting position		As required
Mechanical shock resistance	g	50 Shock duration 11 ms Sinusoidal according to IEC 60068-2-27

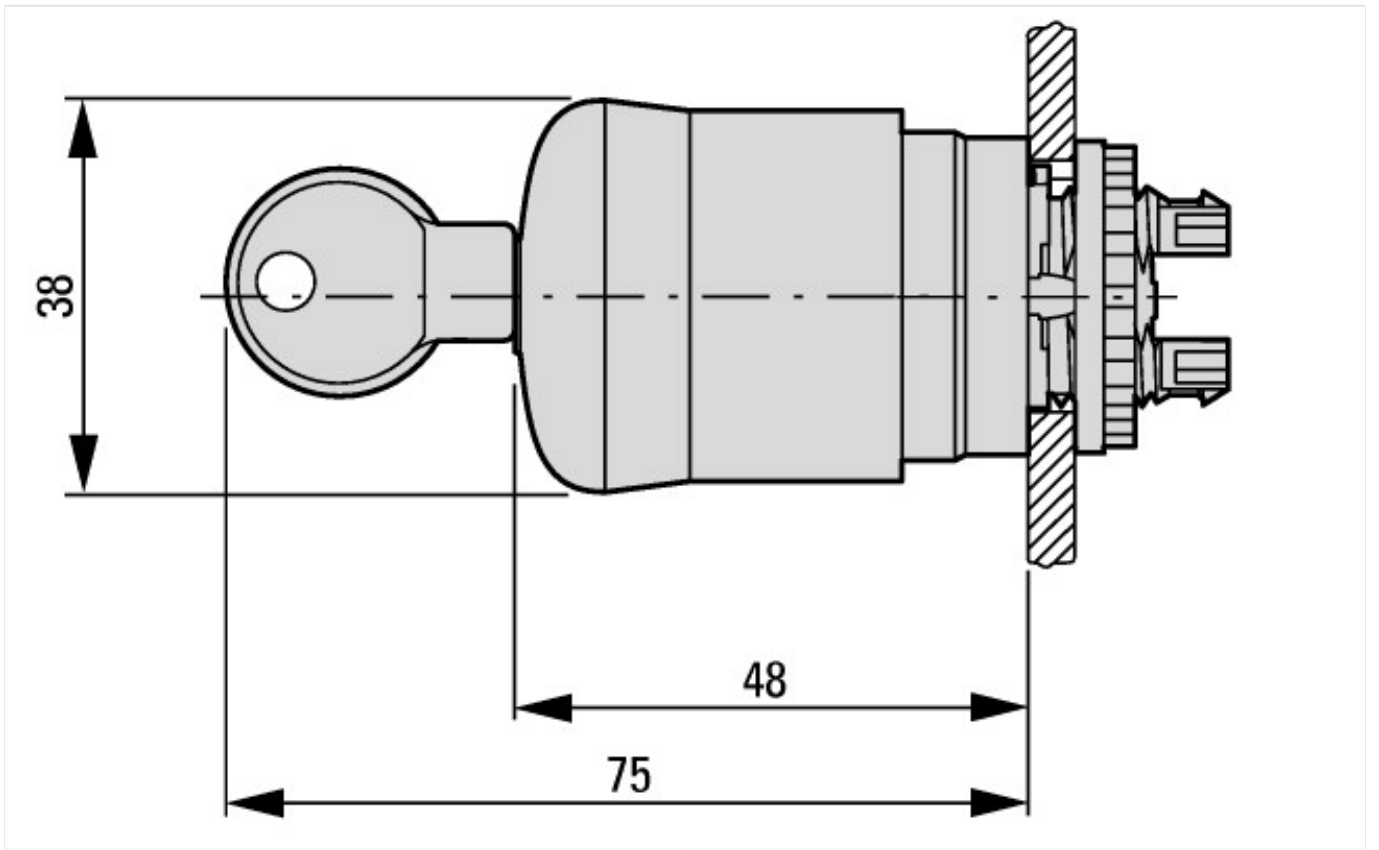
Technical data ETIM 5.0

Low-voltage industrial components (EG000017) / Emergency stop complete (EC002034)

Electric engineering, automation, process control engineering / Low-voltage switch technology / Command and alarm device / EMERGENCY-STOP pushbutton, complete device (ec!@ss8-27-37-12-44 [ACN986007])	
Unlocking method	Pull release
Number of contacts as normally closed contact	1
Number of contacts as normally open contact	1
Degree of protection (IP)	-
Mounting method	Surface mounting
With lighting	No
Hole diameter	22
Connection type auxiliary circuit	Spring clamp connection

Dimensions





Additional product information (links)

IL04716002Z (AWA1160-1745) RMQ-Titan System

IL04716002Z (AWA1160-1745) RMQ-Titan System

ftp://ftp.moeller.net/DOCUMENTATION/AWA_INSTRUCTIONS/IL04716002Z2013_08.pdf