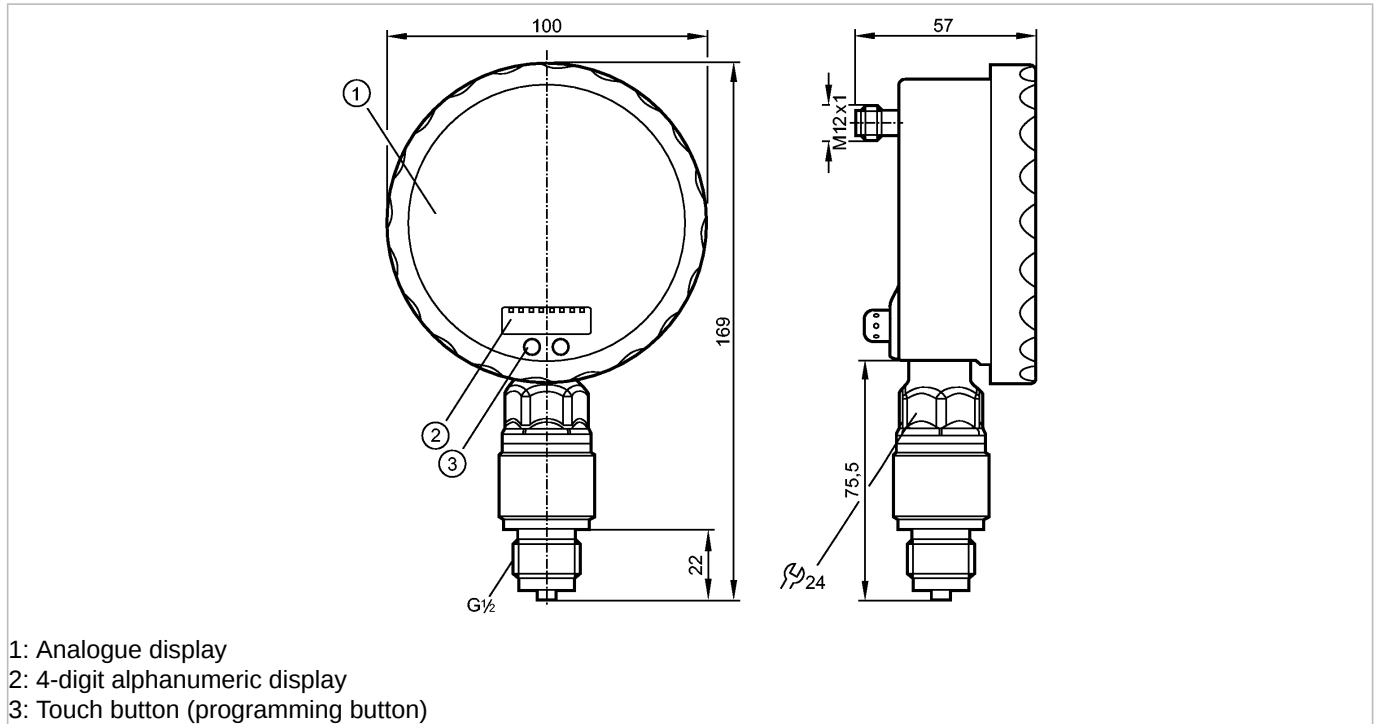


PG2456

PG-2.5-REB12-MFRKG/US/ /P

Pressure sensors



- 1: Analogue display
- 2: 4-digit alphanumeric display
- 3: Touch button (programming button)

Made in Germany



Product characteristics

Electronic pressure sensor with analogue display	
Connector	
Analogue display 0...350° rotatable	
Resolution 0.25%	
Pointer not visible when unit disconnected	
Process connection: G 1/2	
2 outputs OUT1 = switching output OUT2 = analogue output	
analogue display, 4-digit alphanumeric display	
Measuring range: -0.125...2.5 bar / -1.8...36.25 psi	

Application

Application	Type of pressure: relative pressure Liquids and gases	
Pressure rating	20 bar	290 psi
Bursting pressure min.	50 bar	725 psi
Medium temperature [°C]	-25...80	

Electrical data

Electrical design	DC PNP/NPN	
Operating voltage [V]	18...32 DC	
Current consumption [mA]	70; (24 V)	
Insulation resistance [MΩ]	> 100 (500 V DC)	
Protection class	III	
Reverse polarity protection	yes	

Outputs

PG2456

PG-2.5-REB12-MFRKG/US/ /P

Pressure sensors

Output	2 outputs OUT1 = switching output OUT2 = analogue output	
Output function	1 x normally open / closed programmable + 1 x analogue (4...20 / 20...4 mA, scalable)	
Current rating [mA]	250	
Voltage drop [V]	< 2	
Short-circuit protection	pulsed	
Overload protection	yes	
Switching frequency [Hz]	75	
Analogue output	I: 4...20 mA (Ineg: 20...4 mA)	
Max. load [Ω]	I / Ineg: max. (U _b - 10 V) x 50	

Measuring / setting range

Measuring range	-0.125...2.5 bar	-1.8...36.25 psi
Setting range		
Set point, SP	-0.115...4.000 bar	-1.65...58.00 psi
Reset point, rP	-0.125...3.990 bar	-1.80...57.85 psi
Analogue start point, ASP	-0.125...3.350 bar	-1.80...48.60 psi
Analogue end point, AEP	0.525...4.000 bar	7.60...58.00 psi
in steps of	0.005 bar	0.05 psi

Accuracy / deviations

Accuracy / deviations (in % of the span) Turn down 1:1		
Switch point accuracy	< ± 0.5	
Characteristics deviation *)	< ± 0.25 (BFSL) / < ± 0.5 (LS)	
Hysteresis	< ± 0.25	
Repeatability **)	< ± 0.1	
Long-term stability ***)	< ± 0.1	
Temperature coefficients (TEMPCO) in the temperature range 0...70° C (in % of the span per 10 K)		
Greatest TEMPCO of the zero point	< ± 0.2	
Greatest TEMPCO of the span	< ± 0.2	

Reaction times

Power-on delay time [s]	6	
Min. response time switching output [ms]	9	
Damping for the switching output (dAP) [s]	0.01...30	
Damping for the analogue output (dAA) [s]	0.01...30	
Step response time analogue output [ms]	28	
Integrated watchdog	yes	

Environment

Ambient temperature [°C]	-20...80	
Storage temperature [°C]	-40...100	
Protection	IP 67 / IP 69K	

Tests / approvals

EMC	EN 61000-4-2 ESD:	4 kV CD / 8 kV AD
	EN 61000-4-3 HF radiated:	10 V/m

PG2456

PG-2.5-REB12-MFRKG/US/ /P

Pressure sensors

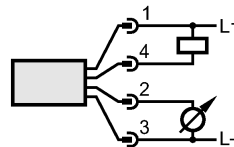
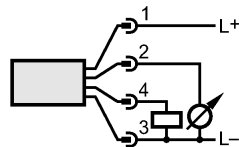
	EN 61000-4-4 Burst:	2 kV
	EN 61000-4-5 Surge:	0.5/1 kV
	EN 61000-4-6 HF conducted:	10 V
Shock resistance	DIN IEC 68-2-27:	50 g (11 ms)
Vibration resistance	DIN IEC 68-2-6:	20 g (10...2000 Hz)
MTTF [Years]		103

Mechanical data		
Process connection	G ½	
Materials (wetted parts)	ceramics (Al ₂ O ₃); FPM; stainless steel 316L / 1.4404	
Housing materials	stainless steel 316L / 1.4404; PA; FPM (Viton); PTFE; viewing glass: laminated safety glass 4 mm	
Switching cycles min.	100 million	
Weight [kg]	0.61	

Displays / operating elements		
Display	Display unit	2 x LED green
	Switching status	LED yellow
	Switch points	LED ring
	Function display	4-digit alphanumeric display
	Measured values	analogue display, 4-digit alphanumeric display
Extended display range (max.)	4 bar	58 psi

Electrical connection		
Connection	M12 connector; Gold-plated contacts	

Wiring



Remarks

Remarks	<p>*) BFSL = Best Fit Straight Line switch point accuracy in the extended display range: 1.5 % of the span **) with temperature fluctuations < 10 K ***) in% of the span / 6 months</p>
---------	---

Pack quantity [piece]	1
-----------------------	---