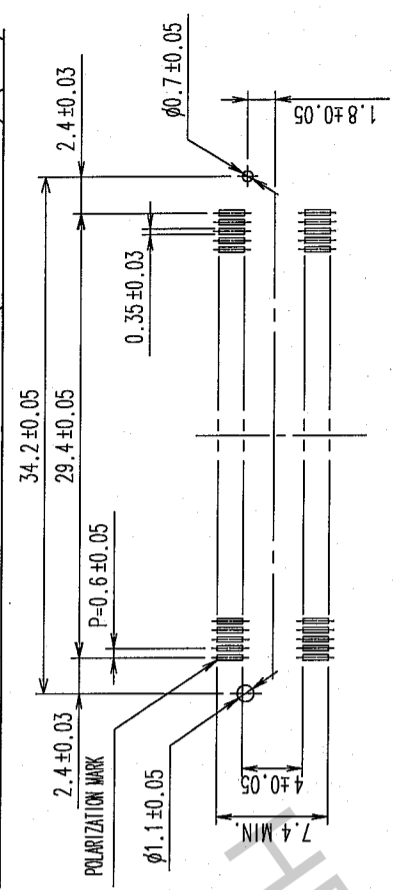
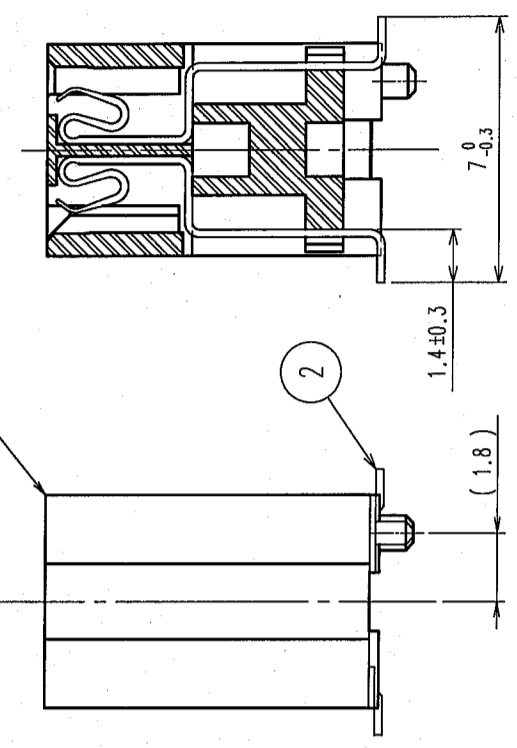


COUNT	DESCRIPTION OF REVISIONS	BY	CHKD	DATE	COUNT	DESCRIPTION OF REVISIONS	BY	CHKD	DATE
△					△				
△					△				
△					△				

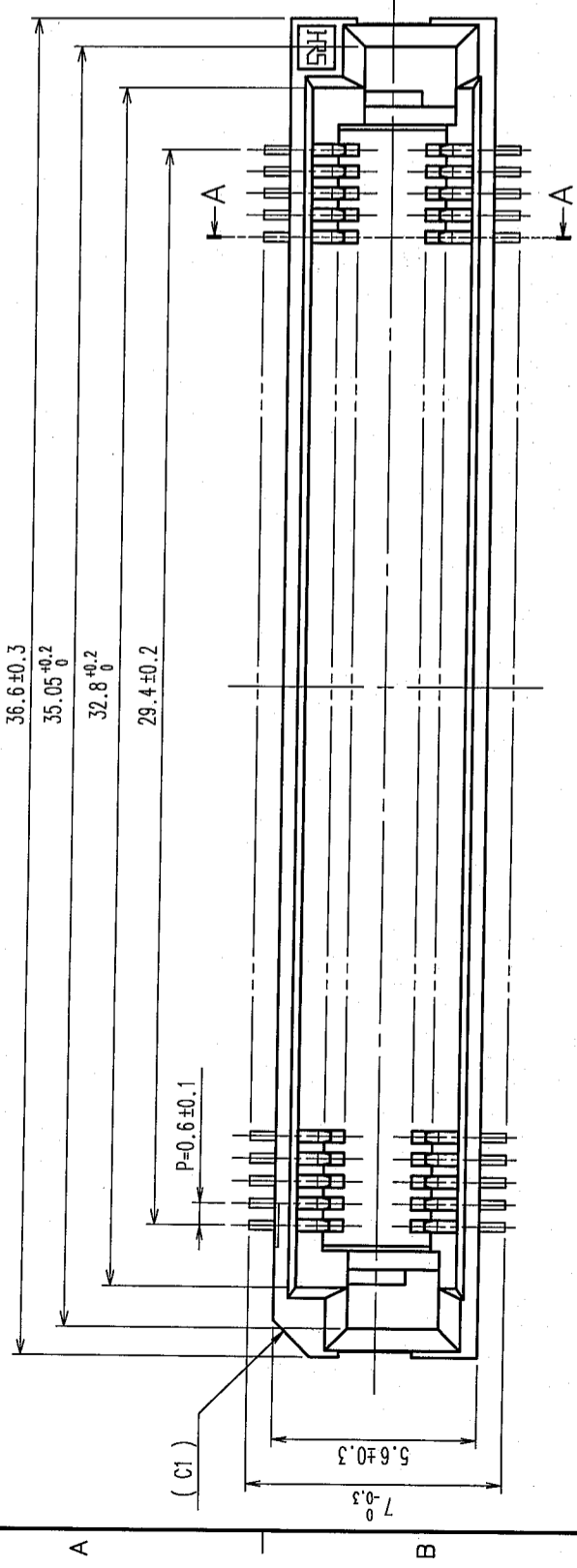
RECOMMENDED LAND PATTERN DIMENSION OF PCB (MOUNTING SIDE) (2:1)



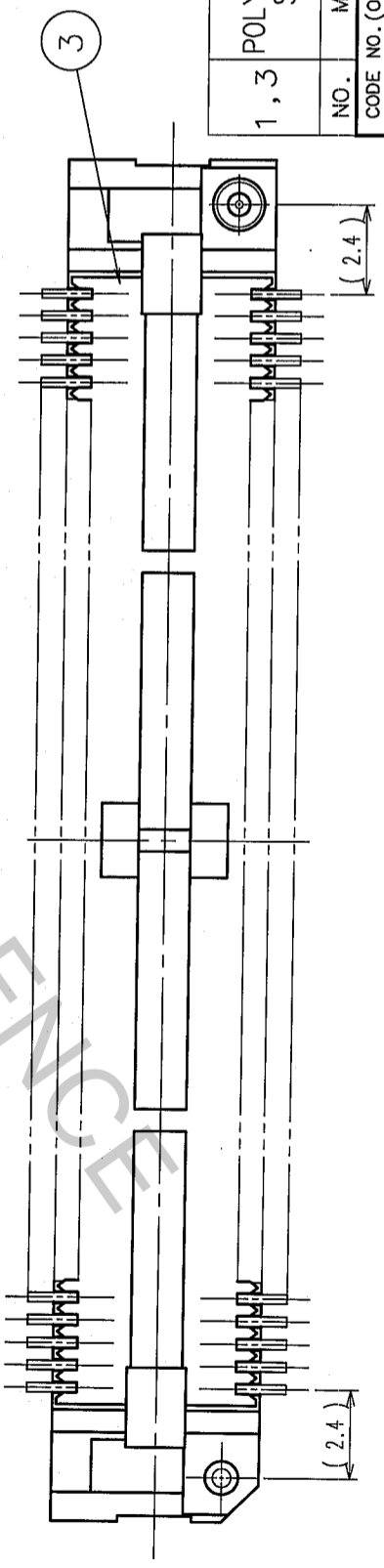
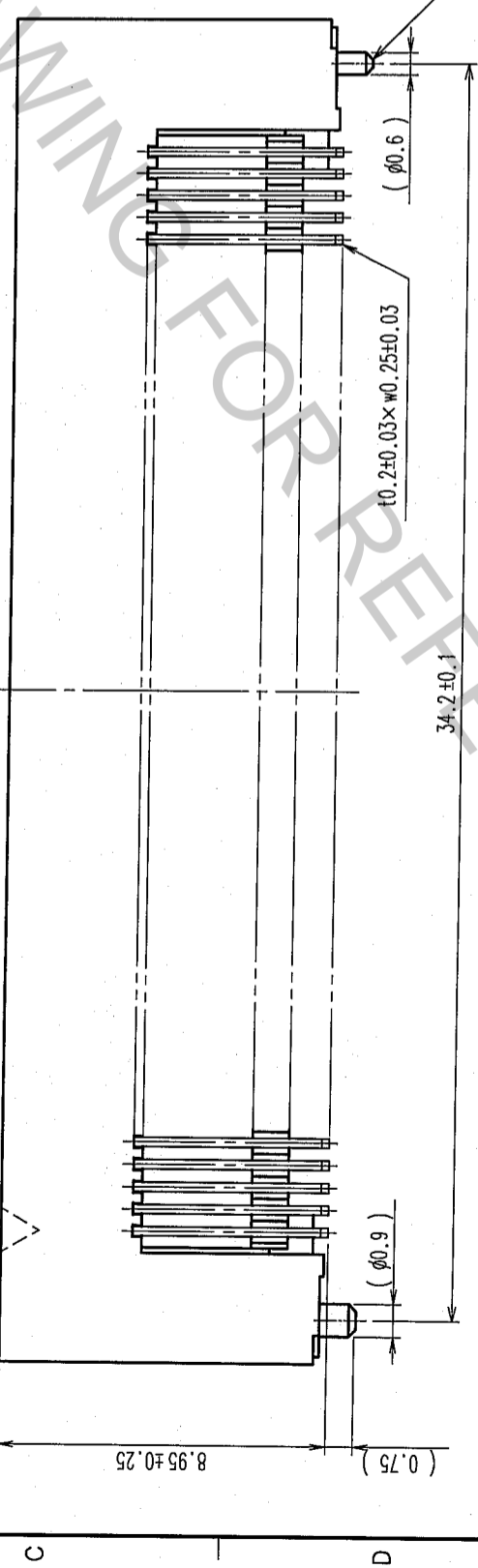
A-A



- NOTE 1. LEAD CO-PLANARITY SHALL BE 0.1mm MAX.
 2. TUBE PACKAGING SHALL BE APPLIED FOR THIS PRODUCT.
 SEE NEXT PAGE FOR DETAILS.
 3. FOR MODIFICATION, ETC., PREVENTIVE HOLE FOR SINK MARK MAY BE ADDED ACCORDING TO CIRCUMSTANCES.
 4. THE DIMENSIONS IN PARENTHESES ARE FOR REFERENCE.



POLARIZATION MARK (REVERSE SIDE)

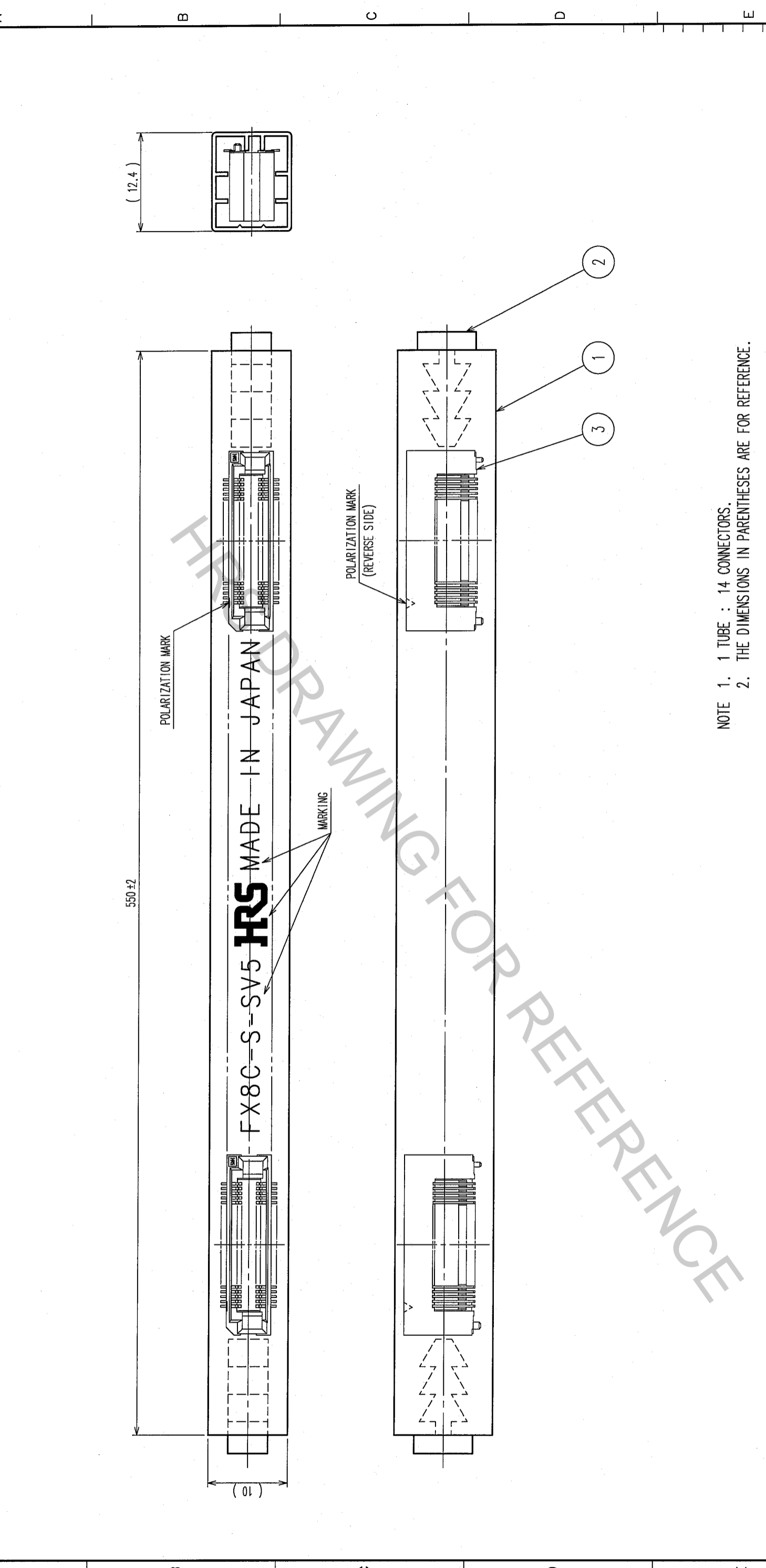


1, 3	POLYPHENYLENE SULFIDE	LIGHT BROWN (UL94V-0)	2	PHOSPHOR BRONZE	CONTACT AREA: GOLD 0.1μm min. LEAD AREA: TIN 1μm min. UNDER PLATING: NICKEL 1μm min.
NO.	MATERIAL	FINISH, REMARKS	NO.	MATERIAL	FINISH, REMARKS
CODE NO. (OLD)	CL				
DRAWN		DESIGNED	CHECKED	APPROVED	RELEASED
H. Sai		H. Sai	K. Ogawa	H. Okawa	
105.09.02		105.09.02	105.09.02	05.09.02	05.09.02
DRAWING NO.		PART NO.		CODE NO.	
EDC3-150893-21		FX8C-100S-SV5(91)		CL578-0825-0-91	
SCALE		UNITS		1/2	
5:1		mm			

TO	
PCK	

COUNT		DESCRIPTION OF REVISIONS	BY	CHKD	DATE	COUNT	DESCRIPTION OF REVISIONS	BY	CHKD	DATE
△	△					△				
△	△					△				
△	△					△				

Nov.1|2017 Copyright 2017 HIROSE ELECTRIC CO., LTD. All Rights Reserved. 6



NOTE 1. 1 TUBE : 14 CONNECTORS.
 2. THE DIMENSIONS IN PARENTHESES ARE FOR REFERENCE.

2		POLYVINYL CHLORIDE STOPPER	3		(CONNECTOR)
NO.	MATERIAL	FINISH, REMARKS	NO.	MATERIAL	FINISH, REMARKS
1	POLYVINYL CHLORIDE		1	POLYVINYL CHLORIDE	TUBE
CODE NO. (OLD)		CL	DRAWN		DESIGNED
			H. Doi		H. Doi
			15-09-02		15-09-02
			H. Doi		H. Doi
			15-09-02		15-09-02
DRAWING NO.		EDC3-150893-21	PART NO.		FX8C-100S-SV5(91)
SCALE		FREE	CODE NO.		CL578-0825-0-91
UNITS		mm			
			HIROSE ELECTRIC CO., LTD		

TO	
PCK	