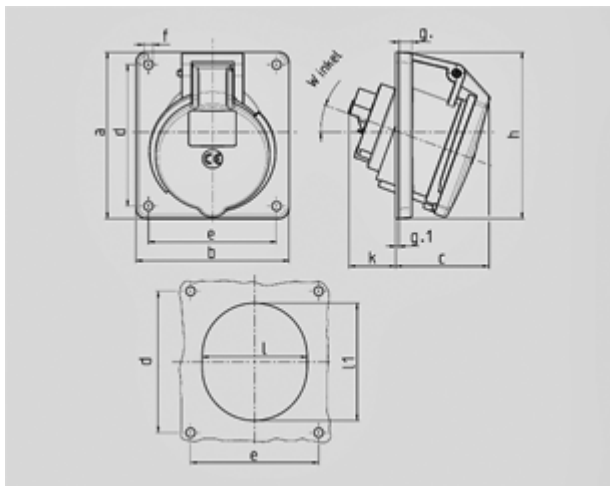


Panel mounted socket - Part no. 740


- screw terminals
- highly heat resistant contact carrier
- nickel plated contacts
- 20° inclination
- 32A receptacles optional fitted with auxiliary contact

Protection type	IP 44
Ampere	32 A
Poles	7p
Voltage	400
Hertz	50-60Hz
Earth position	6h
Contact	nickel plated contacts, highly heat resistant contact carrier
Connection technology	Screw terminals

Std. Pack. 10 Qty.



Drawing	Amp.	16		32	
		7		7	
1 MB 260	Poles				
Dim. in mm	a	100	100	100	100
	b	92	92	92	92
	c	58	61	61	61
	d	85	85	85	85
	e	77	77	77	77
	f	5,5	5,5	5,5	5,5
	g	8	8	8	8
	g.1	2	2	2	2
	h	100	106	106	106
	k	40	55	55	55
	l	65	72	72	72
	l1	72	85	85	85
	a	20°	20°	20°	20°
Terminal for cond. cross section (mm ²) min.-max.		1,5	2,5	2,5	2,5
		-4	-	-	-10