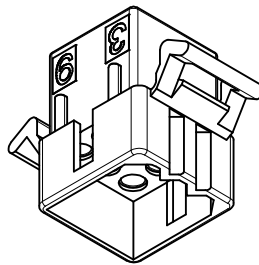
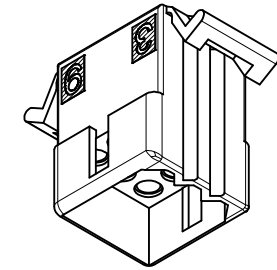
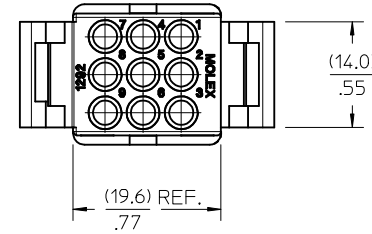


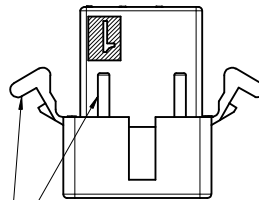
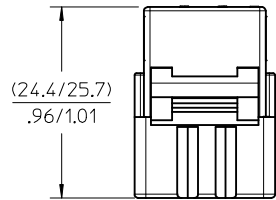
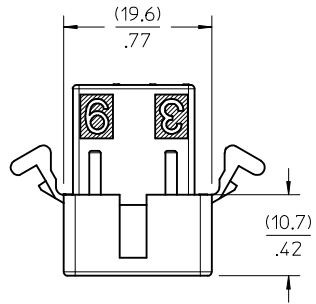
PLUG
1292-P1 SHOWN



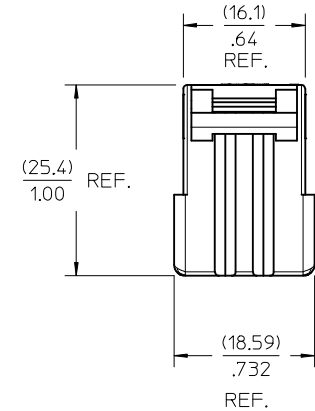
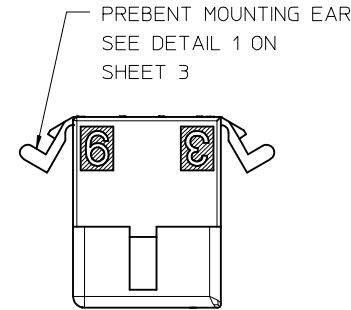
PLUG
1292-P2 SHOWN (WITH
RIBS & PREBENT EARS)



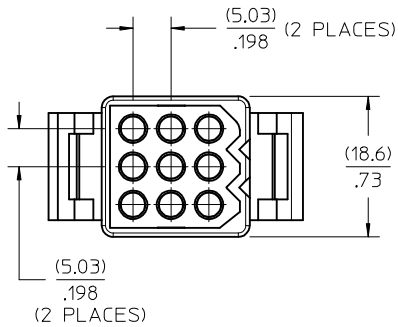
PLUG
1292-P SHOWN
(WITH BOTTOM MOUNT PREBENT EARS)



MOUNTING EARS AND
RIBS OPTION (SEE DETAIL 1 & NOTE 6
ON SHEET 3)



BOTTOM MOUNT PREBENT EAR OPTION

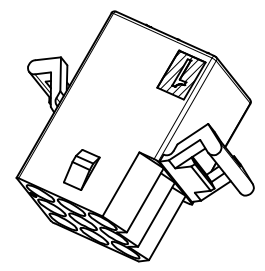
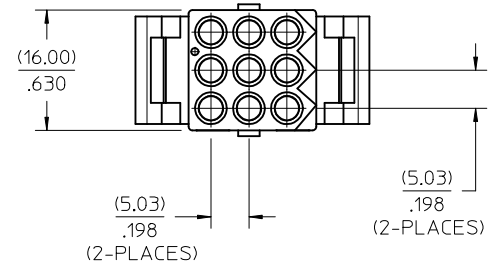
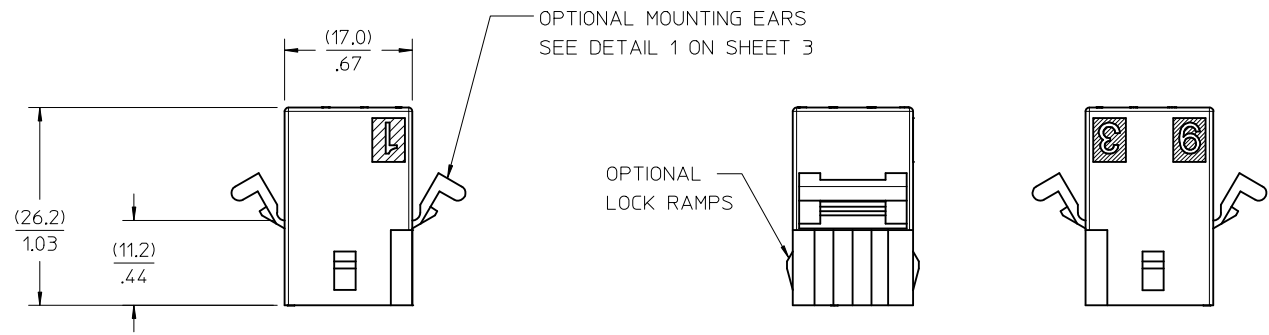
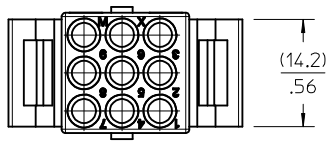


| | | | | | | |
|--|-----------------|---------------------------------------|---------------------|---|--------------|------------------------|
| ADD SHEETS 2-3 EC NO: UCP2014-3075 DRW:WKIPPER 2014/01/27 CHKD:JBELL 2014/01/27 APPR:FSMITH 2014/02/14 | QUALITY SYMBOLS | GENERAL TOLERANCES (UNLESS SPECIFIED) | DIMENSION STYLE | SCALE | DESIGN UNITS | THIRD ANGLE PROJECTION |
| | DESCRIPTION | mm INCH | MM/IN | 2:1 | INCH | |
| REV | | 4 PLACES ± .010 | DRAWN BY DATE | TITLE .093/(2.36) HOUSING, PLUG 9 CKT. .198/(5.03) CTRS | | |
| | | 3 PLACES ± .014 | CSTEWART 2011/07/21 | | | |
| | | 2 PLACES ± 0.25 | CHECKED BY DATE | MOLEX INCORPORATED | | |
| | | 1 PLACE ± 0.35 | APPROVED BY DATE | | | |
| | | ANGULAR ± 1/2° | FSMITH 2011/09/12 | SD-1292-0001 | | |
| | | | MATERIAL NO. | | | |
| | | | SEE CHART | SHEET NO. 1 OF 3 | | |
| | | | SIZE | | | |
| | | | | THIS DRAWING CONTAINS INFORMATION THAT IS PROPRIETARY TO MOLEX INCORPORATED AND SHOULD NOT BE USED WITHOUT WRITTEN PERMISSION | | |
| | | | | | | |

DRAFT WHERE APPLICABLE
MUST REMAIN
WITHIN DIMENSIONS

THIS DRAWING CONTAINS INFORMATION THAT IS PROPRIETARY TO MOLEX INCORPORATED AND SHOULD NOT BE USED WITHOUT WRITTEN PERMISSION

MOLEX INCORPORATED
SD-1292-0001
SHEET NO.
1 OF 3



RECEPTACLE
1292-R SHOWN
(WITH PREBENT MOUNTING EARS & LOCK RAMPS)

| SEE SHEET 1 EC NO: UCP2014-3075 DRWN:KIPPER 2014/01/27 CHKD:JBELL 2014/01/27 APPR:FSMITH 2014/02/14 W | QUALITY SYMBOLS = 0 = 0 = 0 | GENERAL TOLERANCES (UNLESS SPECIFIED) <table border="1"> <thead> <tr> <th></th> <th>mm</th> <th>INCH</th> </tr> </thead> <tbody> <tr> <td>4 PLACES</td> <td>± .010</td> <td>± .010</td> </tr> <tr> <td>3 PLACES</td> <td>± .014</td> <td>± .014</td> </tr> <tr> <td>2 PLACES</td> <td>± 0.25</td> <td>± .010</td> </tr> <tr> <td>1 PLACE</td> <td>± 0.35</td> <td>± .010</td> </tr> </tbody> </table> | | mm | INCH | 4 PLACES | ± .010 | ± .010 | 3 PLACES | ± .014 | ± .014 | 2 PLACES | ± 0.25 | ± .010 | 1 PLACE | ± 0.35 | ± .010 | DIMENSION STYLE MM/IN DRAWN BY: C STEWART DATE: 2011/07/21 CHECKED BY: _____ DATE: _____ | SCALE 2:1 DESIGN UNITS INCH | THIRD ANGLE PROJECTION |
|---|---|--|-------------------------------------|---|------------------------|----------|--------|--------|----------|--------|--------|----------|--------|--------|---------|--------|--------|--|--|----------------------------|
| | | mm | INCH | | | | | | | | | | | | | | | | | |
| | 4 PLACES | ± .010 | ± .010 | | | | | | | | | | | | | | | | | |
| | 3 PLACES | ± .014 | ± .014 | | | | | | | | | | | | | | | | | |
| 2 PLACES | ± 0.25 | ± .010 | | | | | | | | | | | | | | | | | | |
| 1 PLACE | ± 0.35 | ± .010 | | | | | | | | | | | | | | | | | | |
| DESCRIPTION REV: W | ANGULAR ±1/2° DRAFT WHERE APPLICABLE MUST REMAIN WITHIN DIMENSIONS | APPROVED BY: FSMITH DATE: 2011/09/12 | MATERIAL NO. SEE CHART | TITLE .093/(2.36) HOUSING, PLUG 9 CKT. .198/(5.03) CTRS | MOLEX INCORPORATED | | | | | | | | | | | | | | | |
| | | | DOCUMENT NO. SD-1292-0001 | SHEET NO. 2 OF 3 | | | | | | | | | | | | | | | | |
| | | | SIZE | THIS DRAWING CONTAINS INFORMATION THAT IS PROPRIETARY TO MOLEX INCORPORATED AND SHOULD NOT BE USED WITHOUT WRITTEN PERMISSION | | | | | | | | | | | | | | | | |

| PLUG | |
|------------|-----------|
| PART NO. | ENG. NO. |
| 03-09-2091 | 1292-P |
| 03-09-2092 | 1292-P1 |
| 03-09-7091 | 1292-PBK |
| 03-09-7092 | 1292-P1BK |
| NOT TOOLED | 1292-P2 |
| 27-09-2092 | 1292-P1-A |
| | |
| | |

| RECEPTACLE | |
|------------|-----------|
| PART NO. | ENG. NO. |
| 03-09-1091 | 1292-R |
| 03-09-1092 | 1292-R1 |
| 03-09-6091 | 1292-RBK |
| 03-09-6092 | 1292-R1BK |
| 03-09-1093 | 1292-R2 |
| 03-09-6093 | 1292-R2BK |
| 03-09-1094 | 1292-R3 |
| 03-09-6094 | 1292-R3BK |
| | |
| | |
| 27-09-1093 | 1292-R2-A |

LEGEND: PLUG

1292-P * * * * *

P = PLUG

BLANK = WITH PREBENT BOTTOM MOUNT EARS

- 1 = WITHOUT EARS
- 2 = PLUG WITH PREBENT EARS & RIBS

COLOR: BLANK=NATURAL COLOR

AM=AMBER BK=BLACK BU=BLUE
 BN=BROWN GY=GRAY GN=GREEN
 OR=ORANGE RD=RED YW=YELLOW

MATERIAL: BLANK = NYLON 6/6, U.L. 94V-2
 A = NYLON 6/6, U.L. 94V-0

LEGEND: RECEPTACLE

1292-R * * * * *

R = RECEPTACLE

- BLANK = WITH PREBENT EARS, WITH LOCK RAMP
- 1 = WITH PREBENT EARS, WITHOUT LOCK RAMP
- 2 = WITHOUT EARS, WITHOUT LOCK RAMP
- 3 = WITHOUT EARS, WITH LOCK RAMP

COLOR: BLANK=NATURAL COLOR

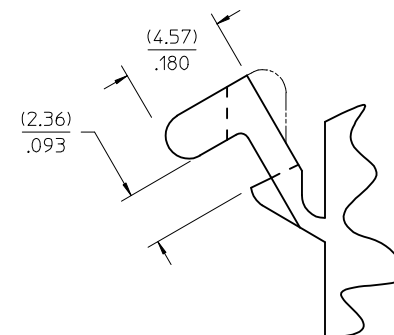
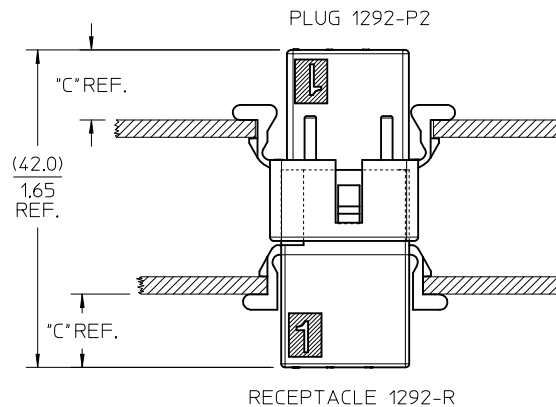
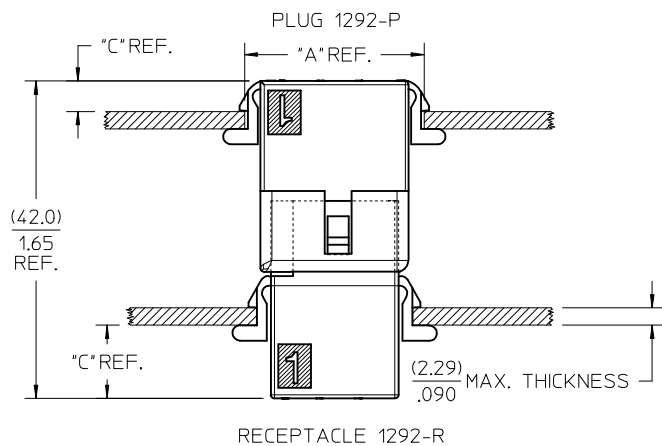
AM=AMBER BK=BLACK BU=BLUE
 BN=BROWN GY=GRAY GN=GREEN
 OR=ORANGE RD=RED YW=YELLOW

MATERIAL: BLANK = NYLON 6/6, U.L. 94V-2
 A = NYLON 6/6, U.L. 94V-0

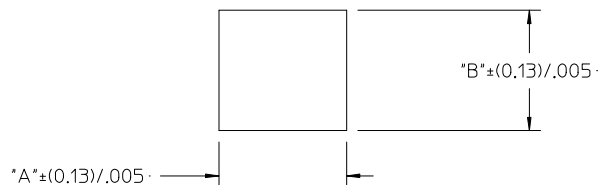
NOTES:

1. MATERIAL: SEE LEGEND
2. FINISH: N/A
3. THESE PARTS COMPLY WITH MOLEX PRODUCT SPEC. PS-02-09.
4. PACKAGING: PK-1292-001
5. HOUSINGS FOR USE WITH MOLEX .093/(2.36) PIN AND SOCKET TERMINALS.
6. RIBS ARE PRESENT ONLY ON PLUG 1292-P2.

| HOUSING | DIM. "A" | DIM. "B" | DIM. "C" |
|-------------------|--------------|--------------|------------|
| STD. PLUG | (23.62)/.930 | (19.30)/.760 | (9.9)/.39 |
| BOTTOM MOUNT PLUG | (23.80)/.937 | (16.76)/.660 | (4.1)/.16 |
| RECEPTACLE | (21.03)/.828 | (18.42)/.725 | (10.4)/.41 |

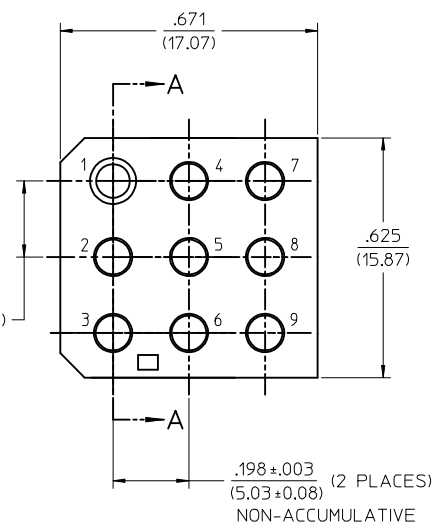
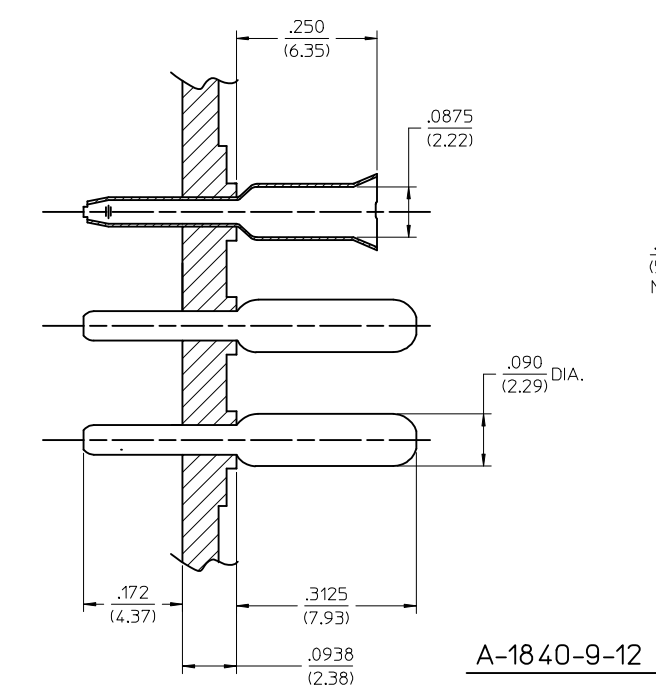
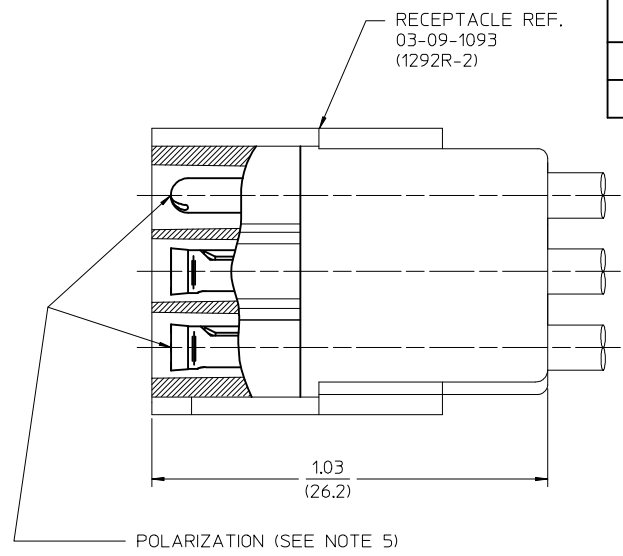
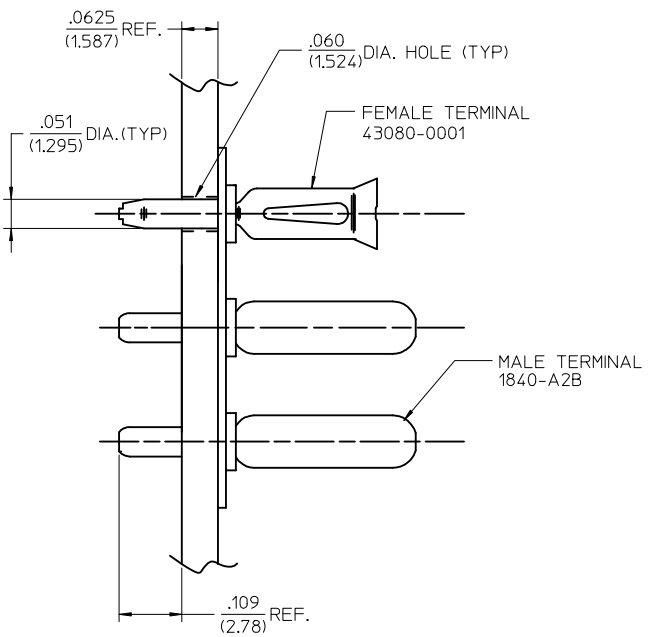


DETAIL 1
 .093/(2.36) PREBENT MOUNTING EAR



| | | | | | | | | |
|--|--------------------------------------|---------------------------------------|----------------------|---|---------------|---|----------------------|------------------------|
| SEE SHEET 1 EC NO: UCP2014-3075 DRW:WKIPPER 2014/01/27 CHKD:JBELL 2014/01/27 APPR:FSMITH 2014/02/14 | QUALITY SYMBOLS ▽=0 ▽=0 ▽=0 | GENERAL TOLERANCES (UNLESS SPECIFIED) | | DIMENSION STYLE MM/IN | | SCALE 2:1 | DESIGN UNITS INCH | THIRD ANGLE PROJECTION |
| | | mm | INCH | DRAWN BY | DATE | TITLE .093/(2.36) HOUSING, PLUG 9 CKT. .198/(5.03) CTRS | | |
| | | 4 PLACES ± --- ±.010 | 3 PLACES ± --- ±.014 | CSTEWART | 2011/07/21 | | | |
| | | 2 PLACES ± 0.25 ± --- | 1 PLACE ± 0.35 ± --- | 0 PLACE ± ± | ANGULAR ±1/2° | APPROVED BY FSMITH | DATE 2011/09/12 | |
| DRAFT WHERE APPLICABLE MUST REMAIN WITHIN DIMENSIONS | | SEE CHART | | THIS DRAWING CONTAINS INFORMATION THAT IS PROPRIETARY TO MOLEX INCORPORATED AND SHOULD NOT BE USED WITHOUT WRITTEN PERMISSION | | | | |

| PART NO. | ENG. NO. | TERMINAL PATTERN | | | | | | | | |
|------------|-------------|------------------|---|---|---|---|---|---|---|---|
| | | 1 | 2 | 3 | 4 | 5 | 6 | 7 | 8 | 9 |
| 09-18-5094 | A-1840-9-12 | F | M | M | M | M | M | M | M | M |
| 09-18-5098 | A-1840-9-5 | F | M | M | M | M | M | F | M | M |



- NOTES:
- MATERIAL:
BASE AND RECEPTACLE: NYLON PA66, UL94V-0, COLOR: NATURAL
TERMINALS: MALE - BRASS ALLOY
FEMALE - PHOSPHOR BRONZE ALLOY
 - FINISH:
MALE TERMINALS: .000200/0.00508 MIN. TIN OVER
.000100/0.00254 MIN. COPPER
FEMALE TERMINALS: .000050/0.00127 MIN. TIN OVER
.000050/0.00127 MIN. NICKEL
 - PRODUCT SPECIFICATION: N/A
 - PACKAGING SPECIFICATION: PK-1840-001
 - POLARIZATION ACCOMPLISHED THROUGH AN INTER-MIX OF MALE AND FEMALE TERMINALS. (MOLEX .093 TERMINALS)
 - TERMINAL PATTERN CODE:
A) M = MALE TERMINALS
B) F = FEMALE TERMINALS
C) B = NO TERMINALS
 - PARTS TO BE MOUNTED ON SUPPORTED EDGE OF P.C. BOARD.

SCALE: 4:1

A-1840-9-12 SHOWN

SECTION "A-A"

| | | | | | | |
|---|--|---------------------------------------|---|-----------|--------------|------------------------|
| ADD PKG SPECS EC NO: UCP2013-4695 DRW: AELHAG 2013/05/01 CHKD: JBELL 2013/05/01 APPR: FSMITH 2013/05/13 | QUALITY SYMBOLS | GENERAL TOLERANCES (UNLESS SPECIFIED) | DIMENSION STYLE | SCALE | DESIGN UNITS | THIRD ANGLE PROJECTION |
| | ▽=0 | mm INCH | IN/MM | 6:1 | INCH | |
| | ▽=0 | 4 PLACES ± --- ± --- | DRAWN BY DATE | TITLE | | |
| | ▽=0 | 3 PLACES ± --- ± .005 | EWC 1974/04/30 | CONNECTOR | | |
| | 2 PLACES ± 0.13 ± .010 | CHECKED BY DATE | PC BOARD WAFERCON | | | |
| | 1 PLACE ± 0.25 ± --- | JBELL 2013/05/01 | 9 CIRCUIT | | | |
| | ANGULAR ±1/2° | APPROVED BY DATE | MOLEX INCORPORATED | | | |
| | DRAFT WHERE APPLICABLE MUST REMAIN WITHIN DIMENSIONS | FSMITH 2011/09/14 | SDA-1840-9-* | | | |
| | | MATERIAL NO. | SHEET NO. | | | |
| | | SEE CHART | 1 OF 1 | | | |
| | | SIZE | THIS DRAWING CONTAINS INFORMATION THAT IS PROPRIETARY TO MOLEX INCORPORATED AND SHOULD NOT BE USED WITHOUT WRITTEN PERMISSION | | | |