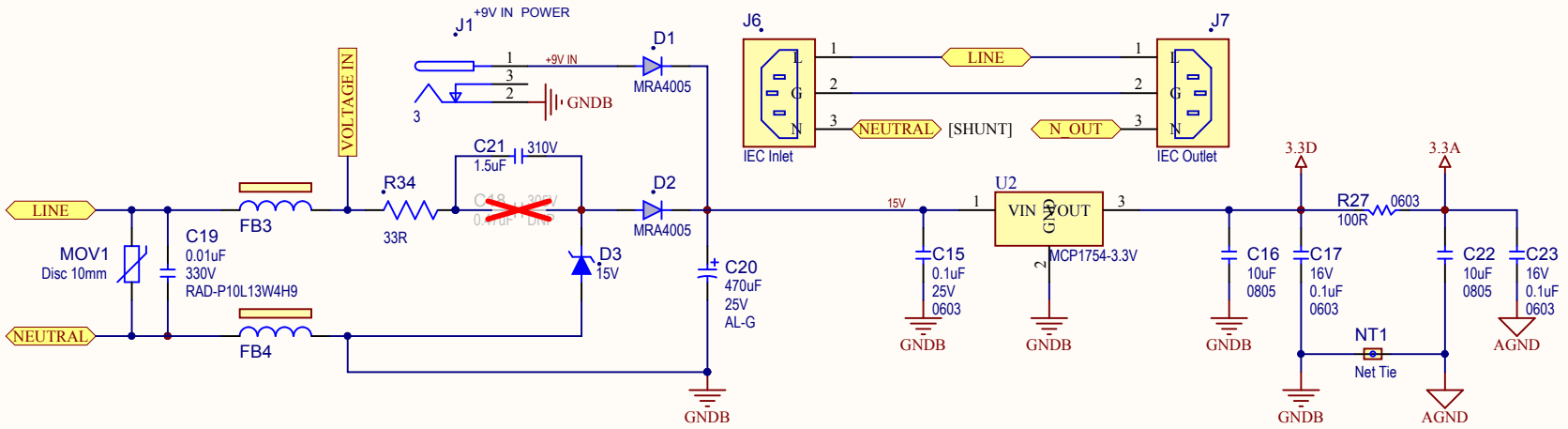
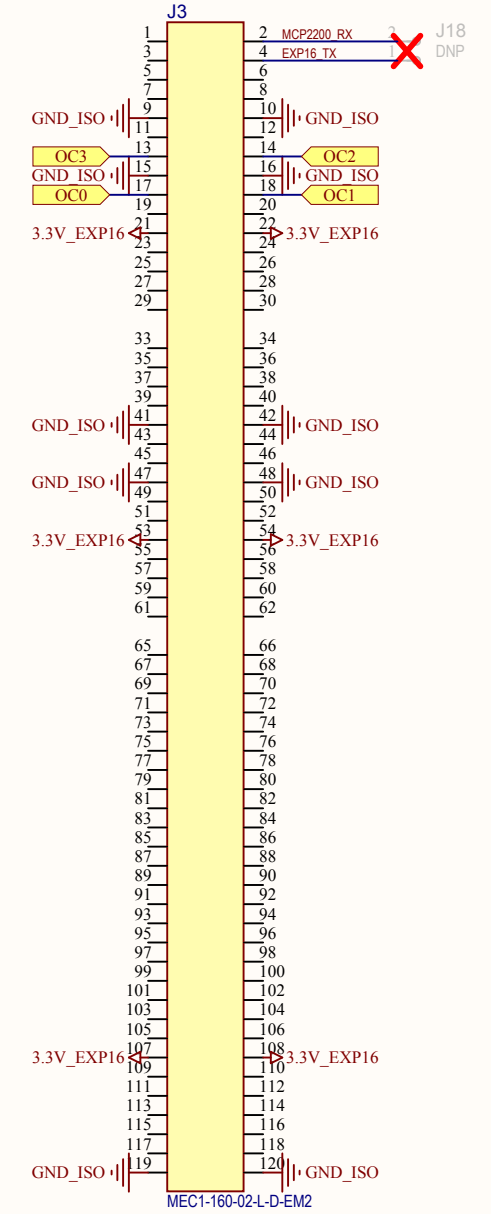
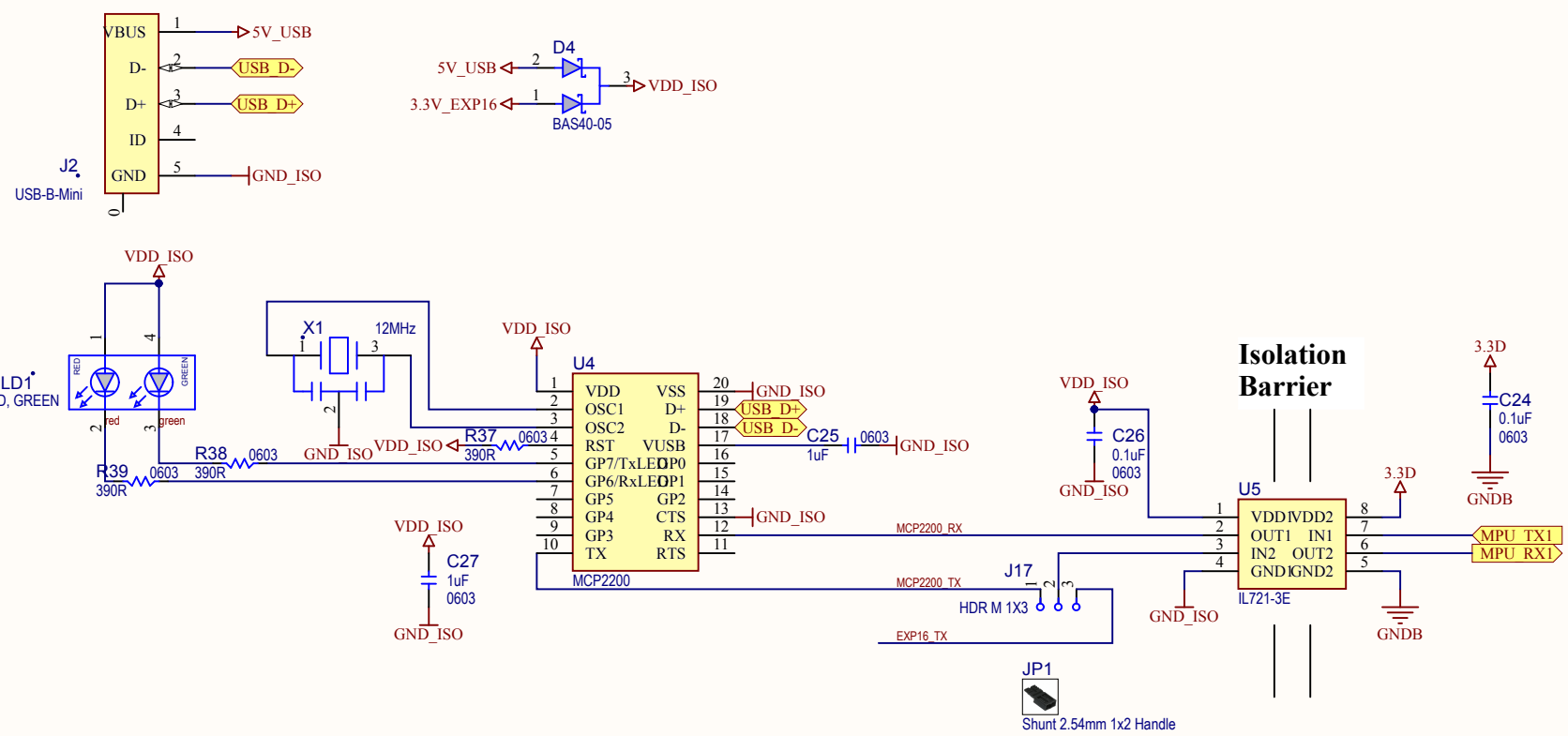


Revision History				
Rev	ECO	Description	Date	Approved

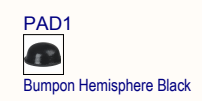


Drawn By:	Date:
Bogdan Popescu	03/07/2013
Checked:	Date:
Craig King	
Approved:	Date:
Approved:	Date:

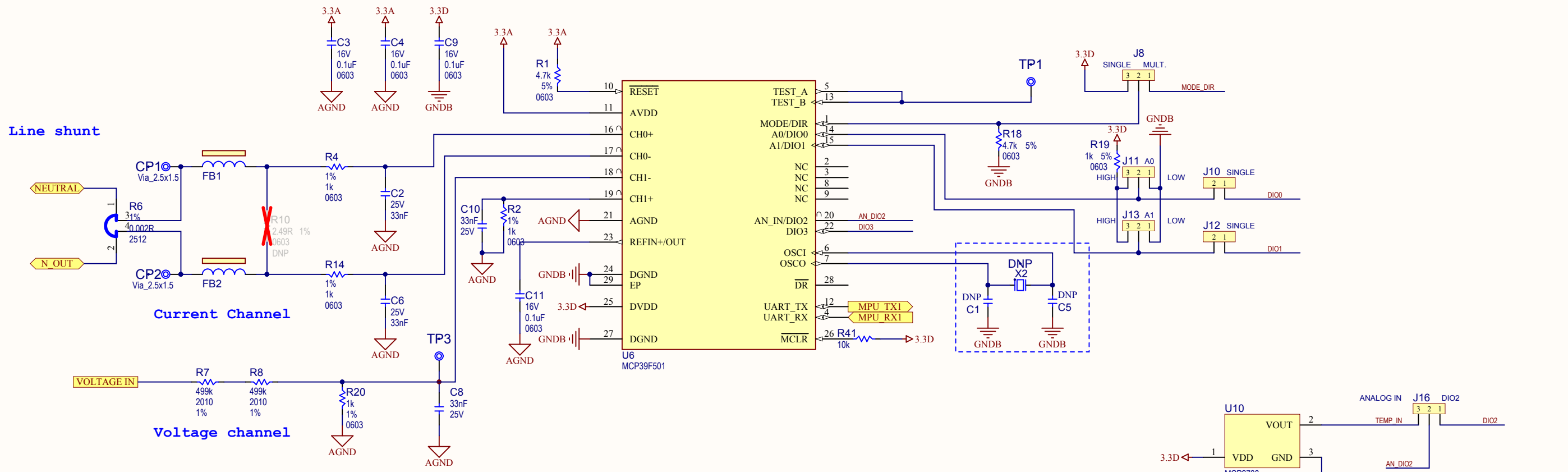


Title
MCP39F501 Energy Monitor PICtail™

Size: B	Number: 03-10111	Revision: 2
Date: 7/17/2014	Time: 3:54:21 PM	Sheet 1 of 2
File: POWER & USB.SchDoc		



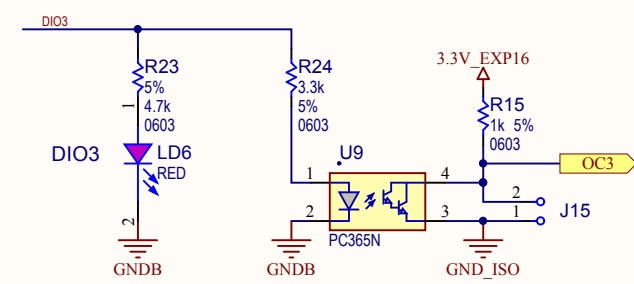
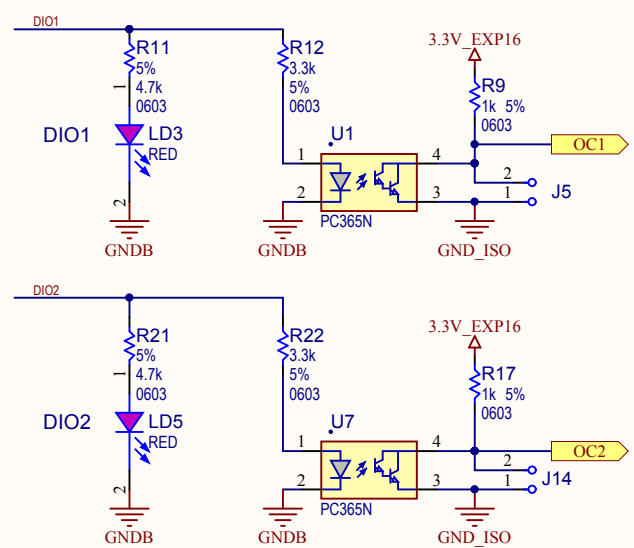
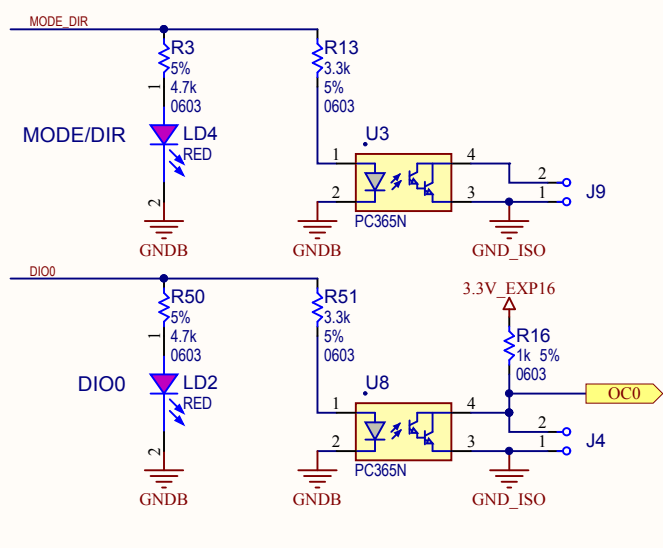
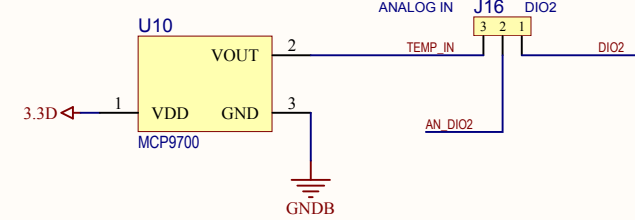
Revision History				
Rev	ECO	Description	Date	Approved



Line shunt

Current Channel

Voltage channel



Drawn By: Bogdan Popescu	Date: 03/07/2013	
Checked: Craig King	Date:	
Approved:	Date:	Title MCP39F501 Energy Monitor PICtail™
Approved:	Date:	Size: B Number: 03-10111 Revision: 2
Date: 7/17/2014 Time: 3:54:22 PM		Sheet 2 of 2
File: MCP39F501.SchDoc		Designed with www.Altium.com