

SACC-E-FS-17CON-M16/0,5 SCO

Order No.: 1556294



<http://eshop.phoenixcontact.de/phoenix/treeViewClick.do?UID=1556294>

Sensor/actuator flush-type socket, 17-pos., M12 SPEEDCON, front/
screw mounting with M16 thread, with 0.5 m TPE litz wire, 17 x 0.14
mm²

Commercial data	
GTIN (EAN)	4046356176774
sales group	D125
Pack	1 pcs.
Customs tariff	85444290
Weight/Piece	0.0335 KG
Catalog page information	Page 26 (PC-2009)

Product notes

WEEE/RoHS-compliant since:
04/13/2007



[http://
www.download.phoenixcontact.com](http://www.download.phoenixcontact.com)
Please note that the data given
here has been taken from the
online catalog. For comprehensive
information and data, please refer
to the user documentation. The
General Terms and Conditions of
Use apply to Internet downloads.

Technical data

General data

Rated current at 40°C	1.5 A
Rated voltage	30 V
Number of positions	17
Volume resistance	≤ 3 mΩ

Insulation resistance	≥ 100 MΩ
Length of cable	0.5 m
Ambient temperature (operation)	-25 °C ... 85 °C (Male connector / female connector)

General characteristics

Standards/regulations	M12 male connector IEC 61076-2-101
Coding	A - standard
Surge voltage category	II
Pollution degree	3
Degree of protection	IP67
Contact material	CuZn
Contact surface material	Au
Contact carrier material	PA 66
Material, knurls	Zinc die-cast, (nickel-plated)
Sealing material	NBR
Mounting type	Front mounting M16 x 1.5
Type of connection	Individual wires
Status display	No

Conductor data

Cable type	TPE litz wire
Conductor cross section	0.14 mm ²
AWG signal line	26
Wire colors	Color-coded DIN 47100
Material conductor insulation	TPE

Certificates / Approvals



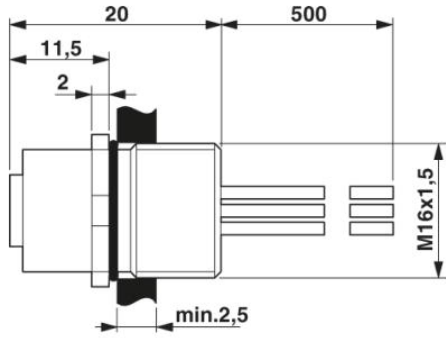
Certification UL

UL

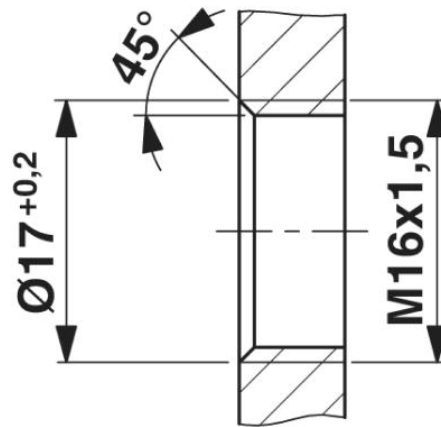
Nominal voltage U _N	30 V
Nominal current I _N	1.5 A
AWG/kcmil	26-20

Diagrams/Drawings

Dimensioned drawing

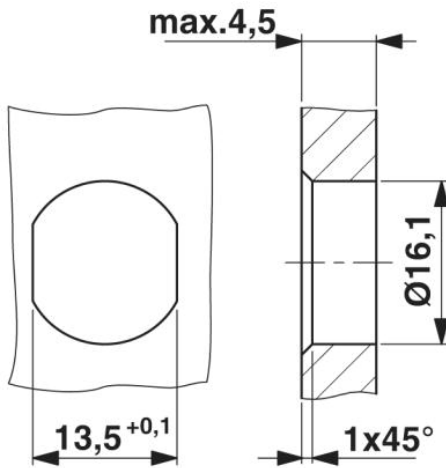


M12 flush-type connector

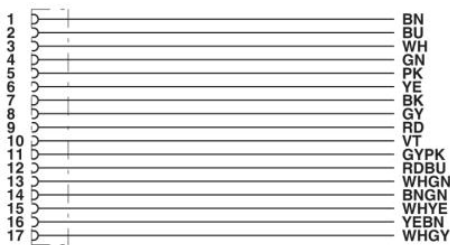


Housing cutout for M16 fastening thread, mounting panel with thread

Housing cutout for M16 fastening thread, mounting panel with feed-through hole (alternatively with surface as protection against rotation)

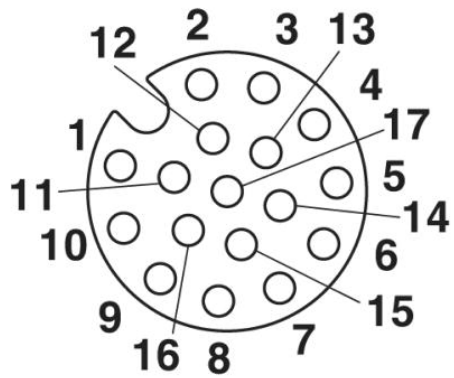


Circuit diagram



Contact assignment of the M12 socket

Schematic diagram



Pin assignment M12, 17-pos., female side view

Address

PHOENIX CONTACT Ltd
Halesfield 13
Telford Shropshire TF7 4PG,GB
Phone 01952 681 700
Fax 01952 681 799
<http://www.phoenixcontact.co.uk>



© 2010 Phoenix Contact
Technical modifications reserved;