

As of 2012-01-30



MOULDED-PLASTIC ENCLOSURE FOR WALL MOUNTING  
DEGREE OF PROTECTION IP55, WITH N AND PE  
TERMINAL LOCKABLE IN 0 POSITION 54MM

**Certificates/approvals:**

General Product Approval	Test Certificates	Shipping Approval	other
ROSTEST	Manufacturer	<input checked="" type="checkbox"/> ABS (American Bureau of Shipping)	Manufacturer other

**Further information:**

**Information- and Downloadcenter (Catalogs, Brochures,...)**

<http://www.siemens.com/industrial-controls/catalogs>

**Industry Mall (Online ordering system)**

<http://www.siemens.com/industrial-controls/mall>

**CAX-Online-Generator**

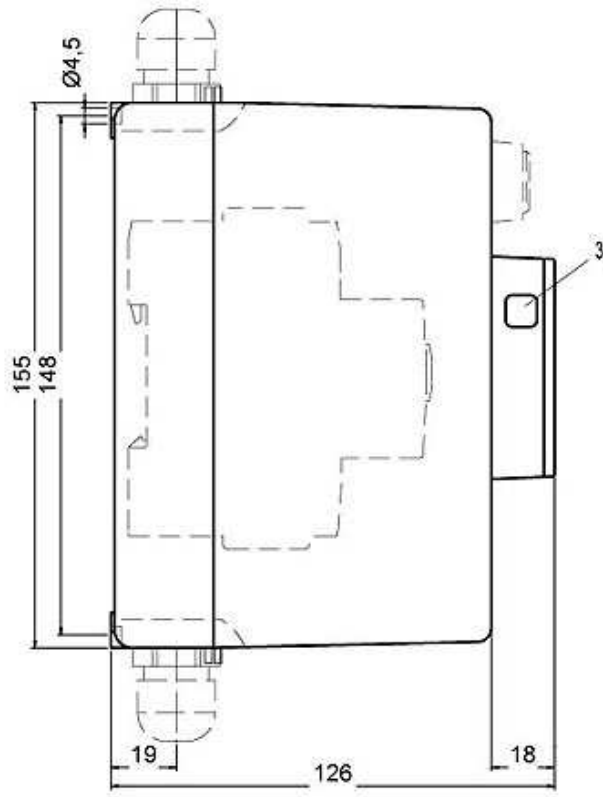
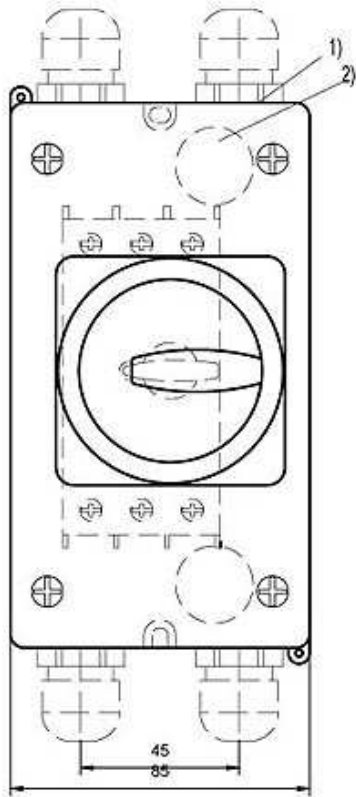
<http://www.siemens.com/cax>

**Service&Support (Manuals, Certificates, Characteristics, FAQs,...)**

<http://support.automation.siemens.com/WW/view/en/3RV1923-1CA00/all>

**Image database (product images, 2D dimension drawings, 3D models, device circuit diagrams, ...)**

[http://www.automation.siemens.com/bilddb/cax\\_en.aspx?mlfb=3RV1923-1CA00](http://www.automation.siemens.com/bilddb/cax_en.aspx?mlfb=3RV1923-1CA00)



- 1) Ausbrechoeffnung fuer Verschraubung M25
- 2) Ausbrechoeffnung fuer rueckseitige Leitungseinfuehrung
- 3) Oeffnung fuer Vorhaengeschooss mit Buegeldurchmesser max. 8 mm

last change: