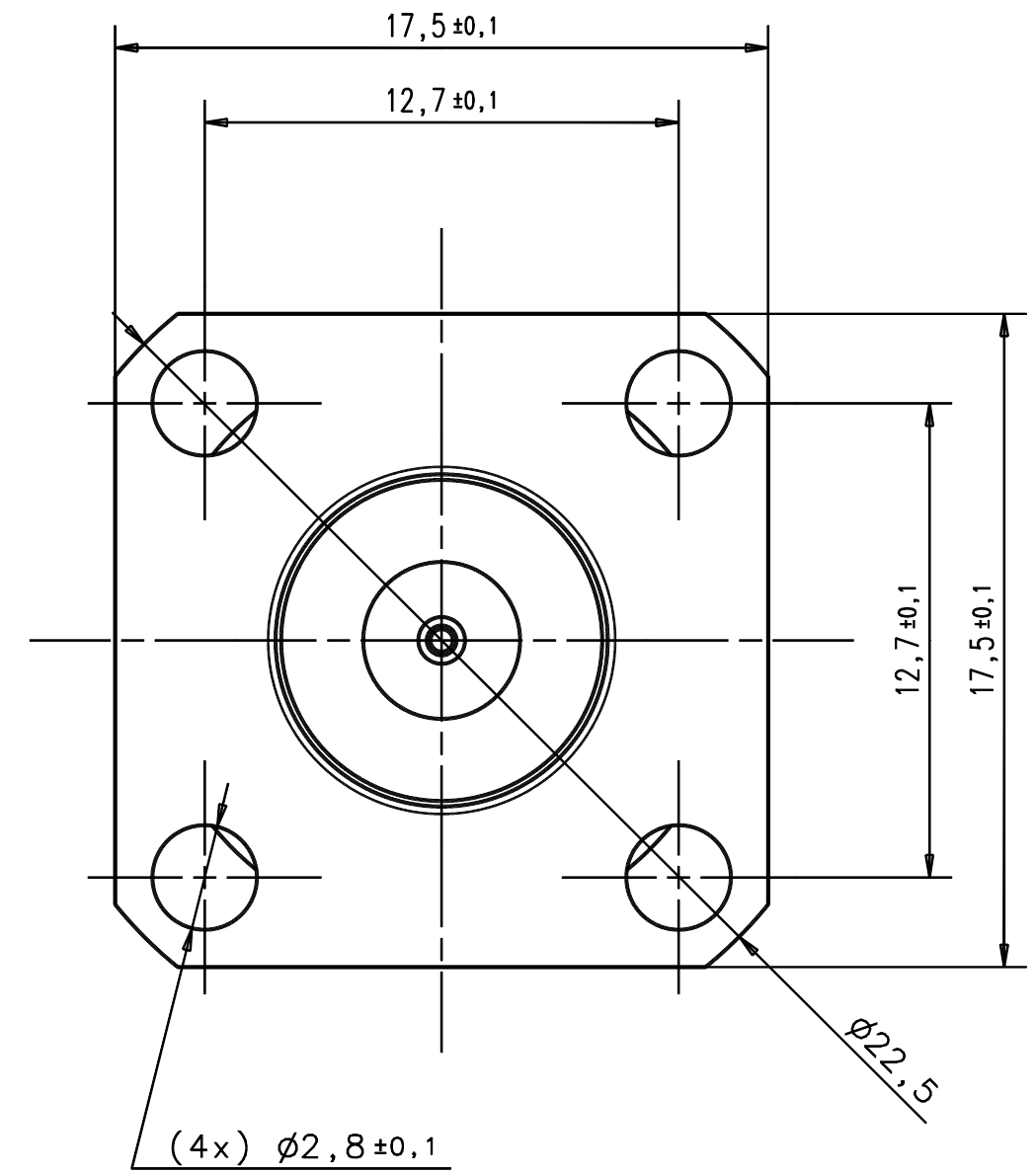
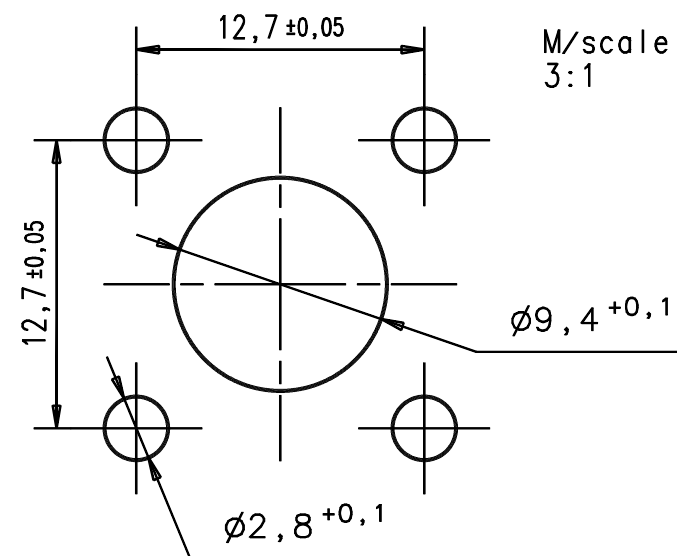


Steckbereich ähnlich /  
mating area similar to  
IEC 169-16

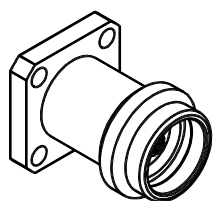


Montagebohrungen  
mounting details



M/scale  
3:1

M/scale 1:1



				general tolerance ISO 2768 mH angle: ±5°		scale: 5:1	
				generate 30.06.06 checked Norm 47502		Assembly instruction: Stripping dimension: <b>SN-Flanschbuchse</b> <b>Flange mount jack</b>	
Design	a	Revised com.	17.08.06	RSc	date	name	4171.SN.2018.19'
						Schwoer	
							Rev. a
nr.	rev.	alteration	date	name			