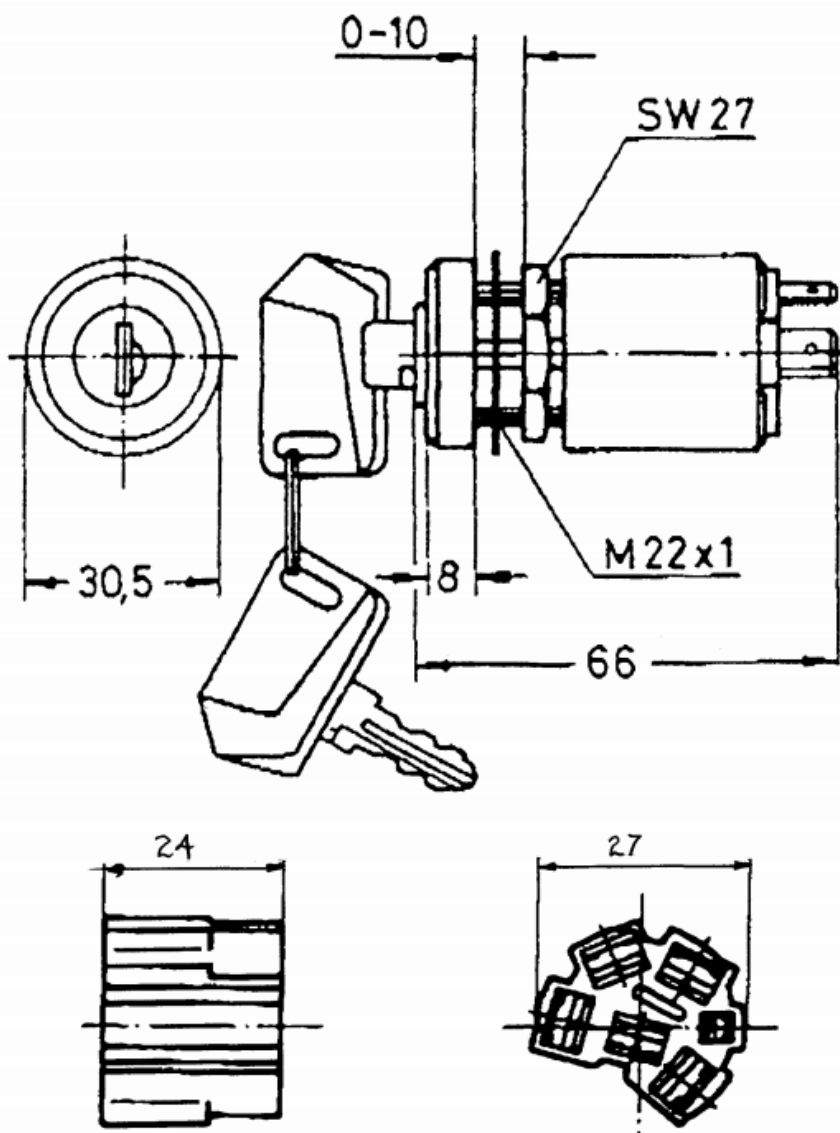


Datasheet

Key Switch

RS Stock number [325-4878](#)

Drawing (mm):



Max Load at 12V	Load
20A	Accessory
25A	Start
50A	Intermittent