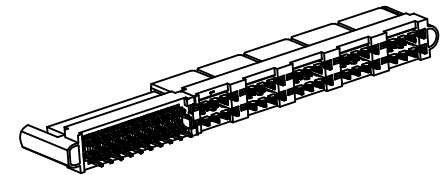
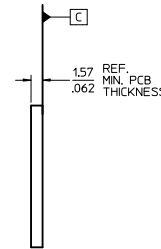
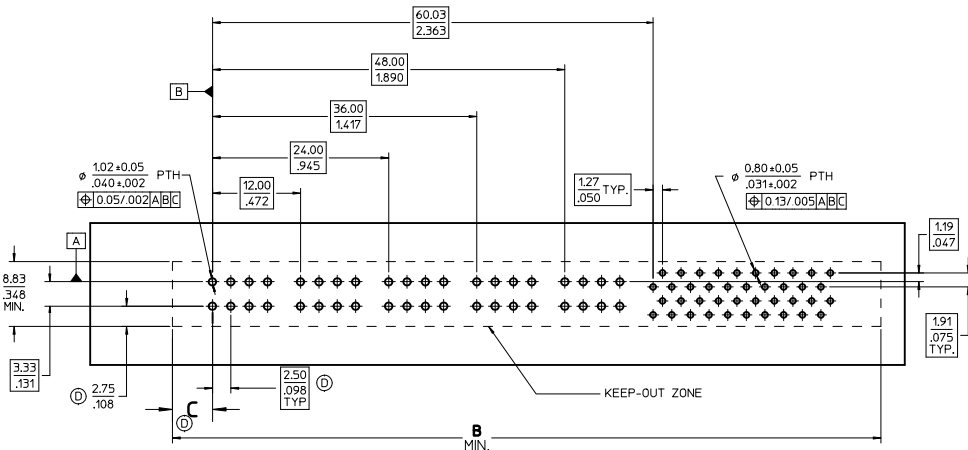
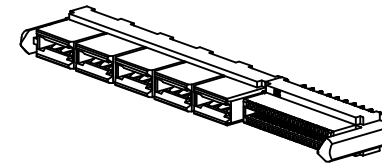


NOTES:

1. MATERIAL: HOUSING: LCP, 94-V0, COLOR: BLACK.  
POWER CONTACTS: COPPER ALLOY.  
SIGNAL CONTACTS: MODIFIED TIN BRASS.
2. FINISH: SELECT GOLD - 0.75  $\mu$ M/30  $\mu$  INCHES  
SELECTED TIN - 2.50  $\mu$ M/100  $\mu$  INCHES  
OR SELECTED TIN-LEAD - 1.91  $\mu$ M/75  $\mu$  INCHES  
BOTH OVER NICKEL - 1.25  $\mu$ M/50  $\mu$  INCHES
3. POWER TERMINALS ARE LUBRICATED IN CONTACT AREA.
4. PARTS ARE RoHS COMPLIANT.
5. MATES TO MOLEX P/N 45985-SERIES OR EDGE CARD 157/062.
6. PRODUCT SPECIFICATION PS-46114-001.
7. PACKAGING: PER PK-46114-003.



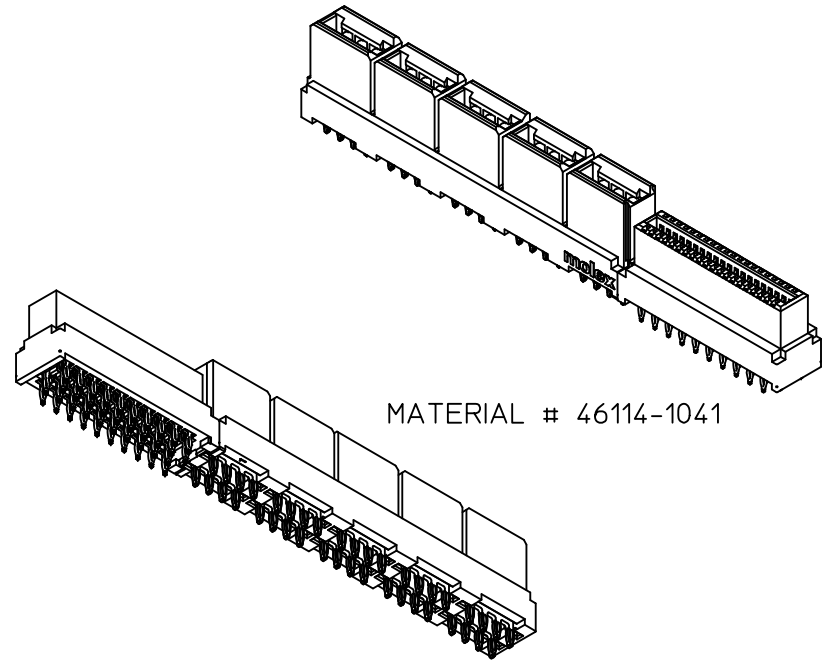
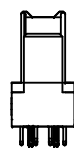
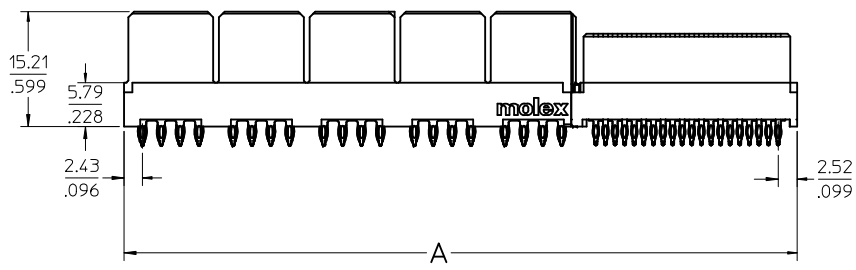
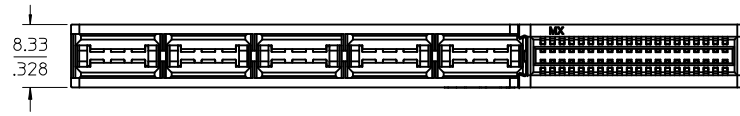
MATERIAL # 46114-1040 SHOWN  
SCALE 2:1



PCB COMPONENT SIDE

|   |  |                                       |   |              |                          |                        |
|---|--|---------------------------------------|---|--------------|--------------------------|------------------------|
| ADDED: PRESS FIT<br>IEC NO: LCP2010-1199<br>DRAWN: MKARADIMAS 2009/11/30<br>CHKD: MKARADIMAS 2009/12/03<br>APPR: JCOMERCI 2009/12/08<br>REV: D1 | QUALITY SYMBOLS                                      | GENERAL TOLERANCES (UNLESS SPECIFIED) | DIMENSION STYLE   | SCALE        | DESIGN UNITS             | THIRD ANGLE PROJECTION |
|   |  | mm INCH                               | MM/IN   | 2:1          | METRIC                   |                        |
|   | 4 PLACES ± --- ± ---                                 |                                       | DRAWN BY  | DATE         | TITLE                    |                        |
|   | 3 PLACES ± --- ± .010                                |                                       | MKARADIMAS  | 07/23/07     | LPH VERTICAL RECEPTACLE  |                        |
|   | 2 PLACES ± 0.25 ± ---                                |                                       | CHECKED BY  | DATE         | COMPLIANT PIN ASSEMBLY   |                        |
|   | 1 PLACE ± ±  |                                       | APATEL  | 07/25/07     | 10CKT PWR CON, PRESS FIT |                        |
|   | ANGULAR ±1/2°  |                                       | APPROVED BY   | DATE         | MOLEX INCORPORATED       |                        |
|   | DRAFT WHERE APPLICABLE MUST REMAIN WITHIN DIMENSIONS |                                       | JCOMERCI  | 2009/12/03   | MOLEX INCORPORATED       |                        |
|   |  |                                       | MATERIAL NO.  | DOCUMENT NO. | SD-46114-100             |                        |
|   |  |                                       | SEE CHART   |              | SHEET NO. 1 OF 3         |                        |
|   |  |                                       | THIS DRAWING CONTAINS INFORMATION THAT IS PROPRIETARY TO MOLEX INCORPORATED AND SHOULD NOT BE USED WITHOUT WRITTEN PERMISSION |              |                          |                        |

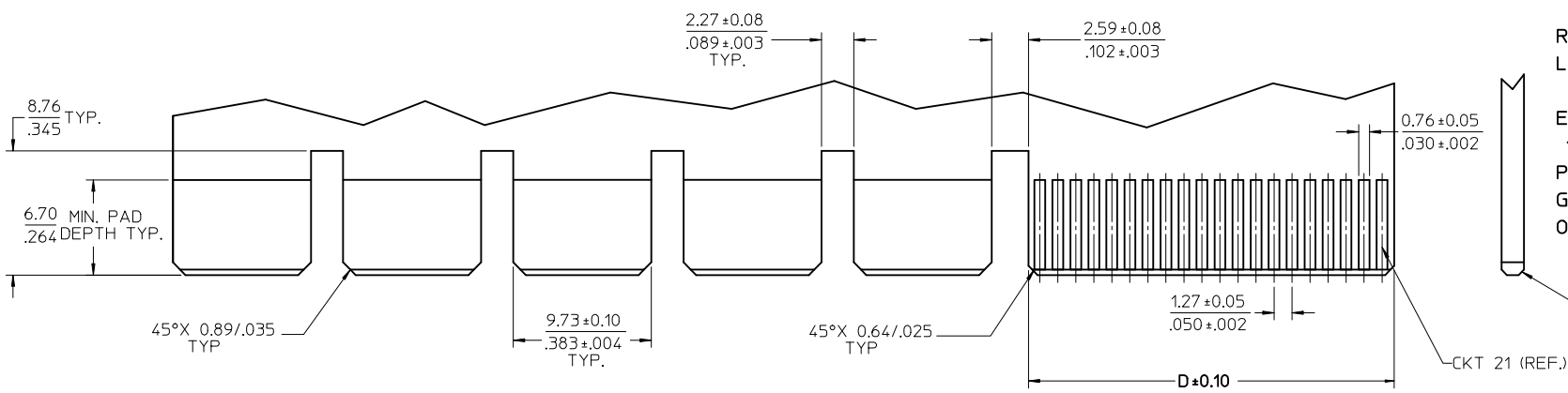
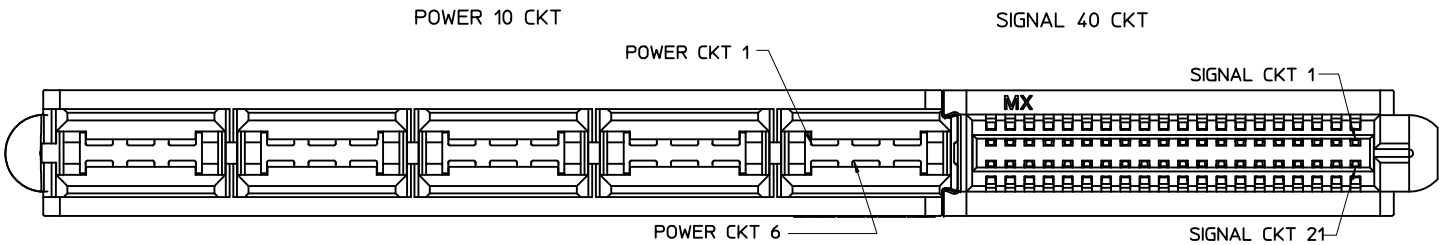
| NO OF SIGNALS | MATERIAL NUMBER | COMPLIANT PIN PLATING | DIM A       | DIM B       | DIM C    |
|---------------|-----------------|-----------------------|-------------|-------------|----------|
| 12            | 46114-1013      | TIN                   | 71.34/2.809 | 71.84/2.828 | 2.69/106 |
|               | 46114-1113      | TIN-LEAD              |             |             |          |
| 16            | 46114-1017      | TIN                   | 73.88/2.909 | 74.38/2.928 |          |
|               | 46114-1117      | TIN-LEAD              |             |             |          |
| 20            | 46114-1021      | TIN                   | 76.42/3.009 | 76.92/3.028 |          |
|               | 46114-1121      | TIN-LEAD              |             |             |          |
| 24            | 46114-1025      | TIN                   | 78.96/3.109 | 79.46/3.128 |          |
|               | 46114-1125      | TIN-LEAD              |             |             |          |
| 28            | 46114-1029      | TIN                   | 81.50/3.209 | 82.00/3.228 |          |
|               | 46114-1129      | TIN-LEAD              |             |             |          |
| 32            | 46114-1033      | TIN                   | 84.04/3.309 | 84.54/3.328 |          |
|               | 46114-1133      | TIN-LEAD              |             |             |          |
| 36            | 46114-1037      | TIN                   | 86.58/3.409 | 87.08/3.428 |          |
|               | 46114-1137      | TIN-LEAD              |             |             |          |
| 40            | 46114-1041      | TIN                   | 89.12/3.509 | 89.62/3.528 |          |
|               | 46114-1141      | TIN-LEAD              |             |             |          |



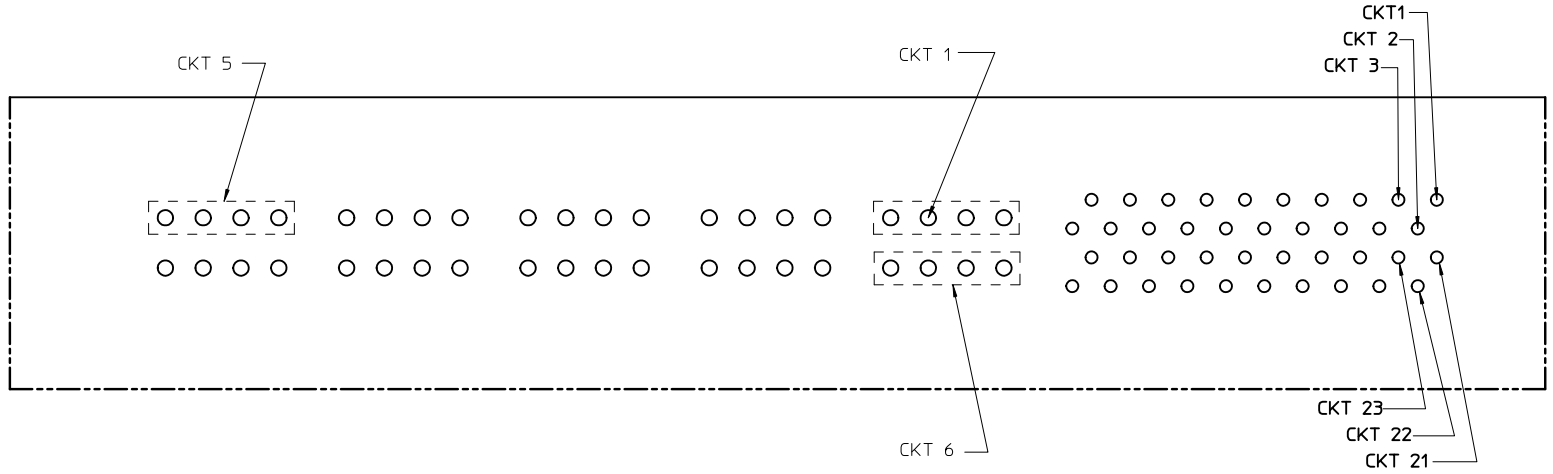
MATERIAL # 46114-1041

|  |                                |   |   |   |              |                              |                        |                     |
|--|--------------------------------|---|---|---|--------------|------------------------------|------------------------|---------------------|
| SEE SHT 1<br>EC NO: UCP2010-1199<br>DRW: MKARADIMAS 2009/11/30<br>CHKD: JCOMERC I 2009/12/03<br>APPR: JCOMERC I 2009/12/08 | QUALITY SYMBOLS<br>DESCRIPTION | GENERAL TOLERANCES (UNLESS SPECIFIED)   |   | DIMENSION STYLE<br>MM/IN  | SCALE<br>1:1 | DESIGN UNITS<br>METRIC       | THIRD ANGLE PROJECTION |                     |
|  |                                | 4 PLACES ± --- ± ---<br>3 PLACES ± --- ± .010<br>2 PLACES ± 0.25 ± ---<br>1 PLACE ± ± --- | DRAWN BY<br>MKARADIMAS 07/23/07<br>CHECKED BY<br>APATEL 07/25/07<br>APPROVED BY<br>JCOMERC I 2009/12/03 | TITLE<br>LPH VERTICAL RECEPTACLE COMPLIANT PIN ASSEMBLY<br>10CKT PWR CON, PRESS FIT   |              | MOLEX INCORPORATED           |                        |                     |
|  |                                | ANGULAR ±1/2°   |   | MATERIAL NO.<br>SEE CHART   |              | DOCUMENT NO.<br>SD-46114-100 |                        | SHEET NO.<br>2 OF 3 |
|  |                                | DRAFT WHERE APPLICABLE MUST REMAIN WITHIN DIMENSIONS                                      |   | THIS DRAWING CONTAINS INFORMATION THAT IS PROPRIETARY TO MOLEX INCORPORATED AND SHOULD NOT BE USED WITHOUT WRITTEN PERMISSION |              |                              |                        |                     |

| NO OF SIGNAL | DIM. D      |
|--------------|-------------|
| 12           | 8.00/.315   |
| 16           | 10.54/.415  |
| 20           | 13.08/.515  |
| 24           | 15.62/.615  |
| 28           | 18.16/.715  |
| 32           | 20.70/.817  |
| 36           | 23.24/.915  |
| 40           | 25.78/1.015 |



**RECOMMENDED EDGE CARD LAYOUT**  
 EDGE CARD THICKNESS:  
 1.57/.062  
 PLATING:  
 GOLD 30 μ INCHES MIN.  
 OVER 150 μ INCHES NICKEL.



PCB LAYOUT  
 COMPONENT SIDE  
 SEE SHT 1 FOR  
 DIMENSIONS

| SEE SHT 1<br>EC NO: UCP2010-1199<br>DRW: MKARADIMAS 2009/11/30<br>CHKD: JCOMERC I 2009/12/03<br>APPR: JCOMERC I 2009/12/08<br>D1 | QUALITY SYMBOLS                                      | GENERAL TOLERANCES (UNLESS SPECIFIED)  | DIMENSION STYLE<br>MM/IN   | SCALE<br>1:1 | DESIGN UNITS<br>METRIC | THIRD ANGLE PROJECTION |     |     |            |     |       |            |      |     |           |     |     |   |       |  |  |
|--|--|--|--|--------------|------------------------|------------------------|-----|-----|------------|-----|-------|------------|------|-----|-----------|-----|-----|---|-------|--|--|
|  |  | <table border="1"> <tr><th></th><th>mm</th><th>INCH</th></tr> <tr><td>4 PLACES ±</td><td>---</td><td>---</td></tr> <tr><td>3 PLACES ±</td><td>---</td><td>±.010</td></tr> <tr><td>2 PLACES ±</td><td>0.25</td><td>---</td></tr> <tr><td>1 PLACE ±</td><td>---</td><td>---</td></tr> </table> ANGULAR ±1/2° |  | mm           | INCH                   | 4 PLACES ±             | --- | --- | 3 PLACES ± | --- | ±.010 | 2 PLACES ± | 0.25 | --- | 1 PLACE ± | --- | --- | DRAWN BY: MKARADIMAS DATE: 07/23/07<br>CHECKED BY: APATEL DATE: 07/25/07<br>APPROVED BY: JCOMERC I DATE: 2009/12/03 | TITLE |  |  |
|  |  | mm   | INCH   |              |                        |                        |     |     |            |     |       |            |      |     |           |     |     |   |       |  |  |
|  | 4 PLACES ±   | ---  | ---  |              |                        |                        |     |     |            |     |       |            |      |     |           |     |     |   |       |  |  |
| 3 PLACES ±   | ---  | ±.010  |  |              |                        |                        |     |     |            |     |       |            |      |     |           |     |     |   |       |  |  |
| 2 PLACES ±   | 0.25   | ---  |  |              |                        |                        |     |     |            |     |       |            |      |     |           |     |     |   |       |  |  |
| 1 PLACE ±  | ---  | ---  |  |              |                        |                        |     |     |            |     |       |            |      |     |           |     |     |   |       |  |  |
|  | DRAFT WHERE APPLICABLE MUST REMAIN WITHIN DIMENSIONS | SEE CHART  | LPH VERTICAL RECEPTACLE COMPLIANT PIN ASSEMBLY<br>10CKT PWR CON, PRESS FIT |              |                        |                        |     |     |            |     |       |            |      |     |           |     |     |   |       |  |  |
|  |  |  | MOLEX INCORPORATED<br>SD-46114-100   |              |                        | SHEET NO.<br>3 OF 3    |     |     |            |     |       |            |      |     |           |     |     |   |       |  |  |