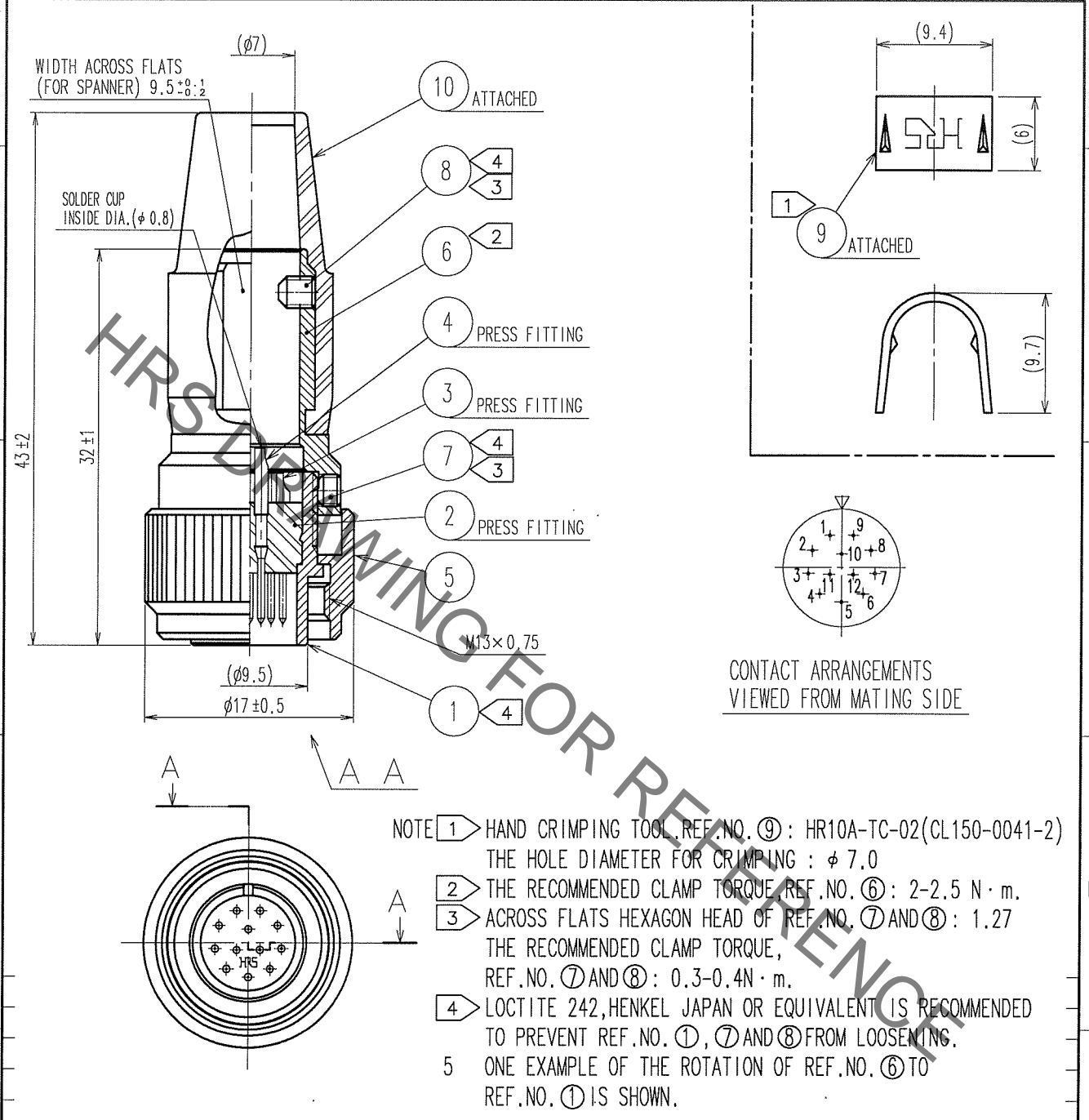


Sep. 1. 2019 Copyright 2019 HIROSE ELECTRIC CO., LTD. All Rights Reserved.  
 In case of consideration for using Automotive equipment / device which demand high reliability, kindly contact our sales window correspondents.

1					2					3					4				
COUNT	DESCRIPTION OF REVISIONS				BY	CHKD	DATE	COUNT	DESCRIPTION OF REVISIONS				BY	CHKD	DATE				
△								△											
△								△											
△								△											



5	BRASS	NICKEL PLATING	10	CR	(BLACK)
4	BRASS	SILVER PLATING $2\mu\text{m min.}$	9	BRASS	
3	BRASS		8	STEEL	NICKEL PLATING HEXAGON SOCKET SET SCREW $M2.6 \times 0.45 \times 3$
2	POLYAMIDE	(BLACK) UL94V-0	7	STEEL	NICKEL PLATING HEXAGON SOCKET SET SCREW $M2.6 \times 0.45 \times 2$
1	ZINC ALLOY	NICKEL PLATING	6	BRASS	NICKEL PLATING
NO.	MATERIAL	FINISH, REMARKS	NO.	MATERIAL	FINISH, REMARKS

CODE NO. (OLD) CL		DRAWN <i>D. Matsume</i> 05.10.01	DESIGNED <i>D. Matsume</i> 05.10.01	CHECKED <i>E. Kunii</i> 05.10.03	APPROVED <i>M. Sato</i> 05.10.14	RELEASED
DRAWING NO. EDC4-027961-73			PART NO. HR10A-10TP-12P(73)			
UNITS mm			CODE NO. CL110-0432-0-73			1/1