

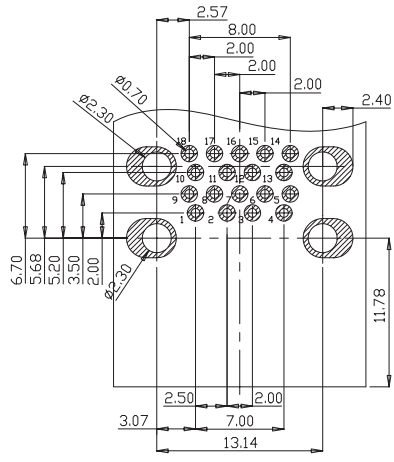
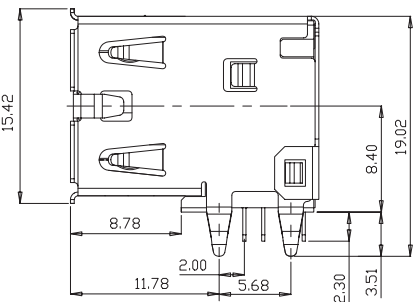
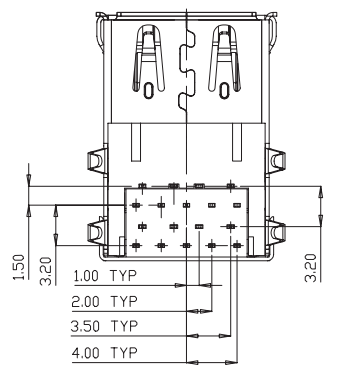
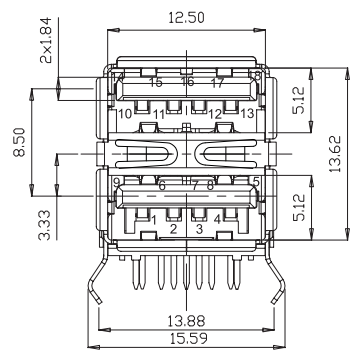
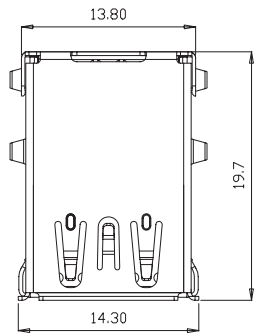
1

2

3

4

5



PCB LAYOUT \* - COMPONENT VIEW

TECHNICAL CHARACTERISTICS

**MATERIAL**  
 INSULATOR: LCP  
 FLAMABILITY RATING: UL94-V0  
 COLOR: BLUE  
 CONTACT MATERIAL: PHOSPHORE BRONZE  
 CONTACT TYPE: STAMPED  
 CONTACT PLATING: UNDERPLATE 1.27 to 2.54 µm Ni  
 CONTACT AREA 0.76 µm Gold  
 SOLDER TAIL AREA 2.54 to 5.08 µm Matt Tin  
 SHIELDING: BRASS MATT TIN PLATED

**ENVIRONMENTAL**  
 OPERATING TEMPERATURE: -20 up to +85°C  
 COMPLIANCE: RoHS & LEAD FREE AS PER DIRECTIVE 2002/95/EC  
 HALOGEN FREE COMPLIANT AS PER IEC 61249-2-21

**ELECTRICAL**  
 CURRENT RATING:  
 - PIN 1 & PIN 4 (Vbus & corresponding ground PIN) 1.8A Max  
 - OTHER PINS 0.25 A min  
 WORKING VOLTAGE: 30Vac  
 DIELECTRIC WITHSTANDING VOLTAGE: 100Vac/min  
 INSULATION RESISTANCE: > 100MΩ  
 CONTACT RESISTANCE:  
 - PIN 1 & PIN 4: 30mΩ Max  
 - OTHER PINS: 50mΩ Max  
 IMPEDANCE: 90Ω +/- 15Ω @ 50ps RISE TIME (20~80%)

**STANDARD**  
 CERTIFIED: E323964 / MODEL NUMBER 692141030100

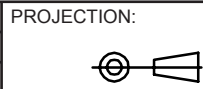
**MECHANICAL**  
 INSERTION FORCE: 35.0N Max  
 EXTRACTION FORCE: 10.0N min  
 QUALITY CLASS: 5000 MATING CYCLES

**SOLDERING**  
 WAVE & REFLOW PROCESS AS PER JEDEC J-STD-020D

**PACKAGING**  
 TRAY

\* NOTE: THE RECOMMENDED PCB LAYOUT IS FOR AN OPTIMIZED RETENTION FORCE OF CONNECTOR ON PCB BUT IT IMPLIES INSERTION FORCE THAT A LOT OF PICK AND PLACE MACHINES ARE NOT ABLE TO HANDLE. THEREFORE IT MIGHT BE NECESSARY TO DRILL BIGGER HOLES FOR THE CLIPS. PLEASE CHECK THIS CAREFULLY.

RoHS Compliant			
G			
F			
E			
D			
C	21-SEP-11	NOTE	GG
B	10-MAY-11	UL	GG
A	04-AUG-10	PDF	JP
REV	DATE	FILE	BY



GENERAL TOLERANCE  
 .X = +/- 0.2  
 .XX = +/- 0.15



APPROVAL: RJ

UNIT: MM  
 SCALE:  
 SHEET: 1/2  
 DRAW: JOE

DESCRIPTION: USB 3.0 STACKED TYPE A  
 WERI PART NO: 692 141 030 100

SIZE  
**A4**

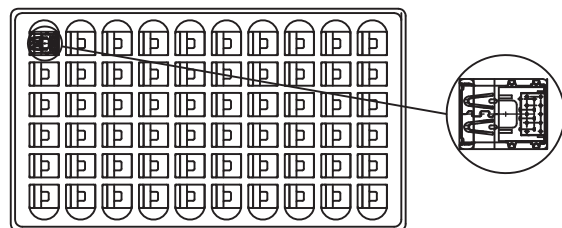
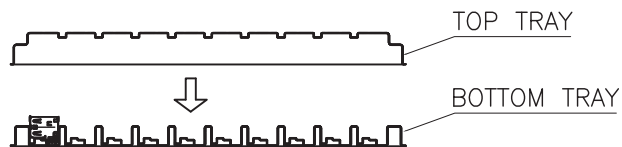
1

2

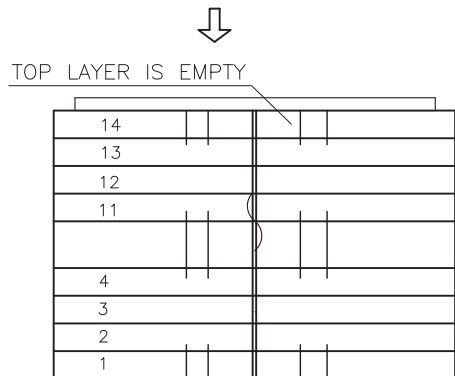
3

4

5



60PCS/TRAY.26TRAY/CARTON  
(1560PCS/CARTON)

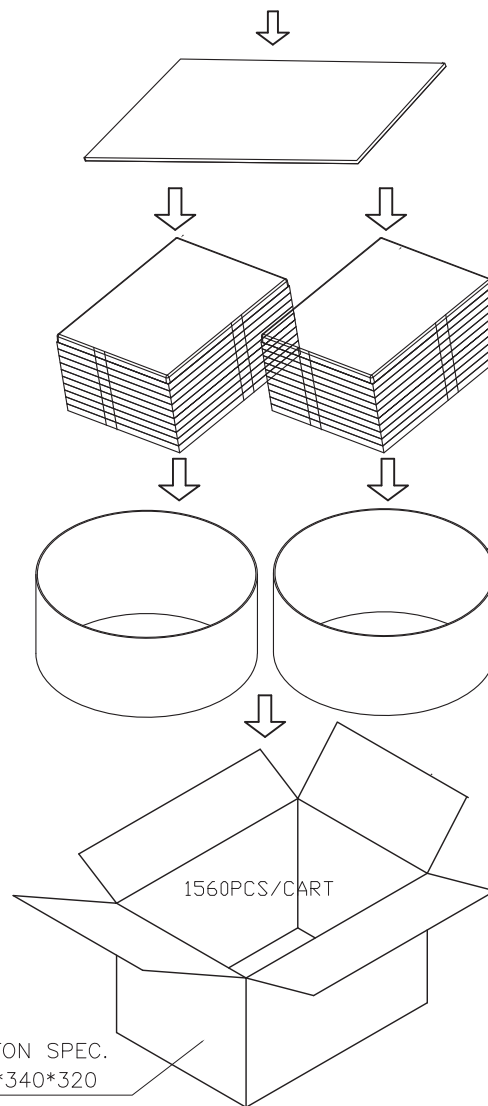


13 TRAY 780 PCS

NOTES

1. MATERIALS: PVC
2. PACKING:60PCS/TRAY,1560PCS/CARTON

All Material in According With The Rohs Environment Related Substances List Controlled.



A

B

C

D

RoHS Compliant

G			
F			
E			
D			
C			
B			
A	02-APR-10	PROVISOIRE SHEET	JP
REV	DATE	FILE	BY

PROJECTION:
APPROVAL: RJ

GENERAL TOLERANCE
.X = +/- 0.2
.XX = +/- 0.15
UNIT: MM
SCALE:
SHEET: 1/2
DRAW: JOE

DESCRIPTION: USB 3.0 STACKED TYPE A
WERI PART NO: 692 141 030 100

SIZE  
**A4**