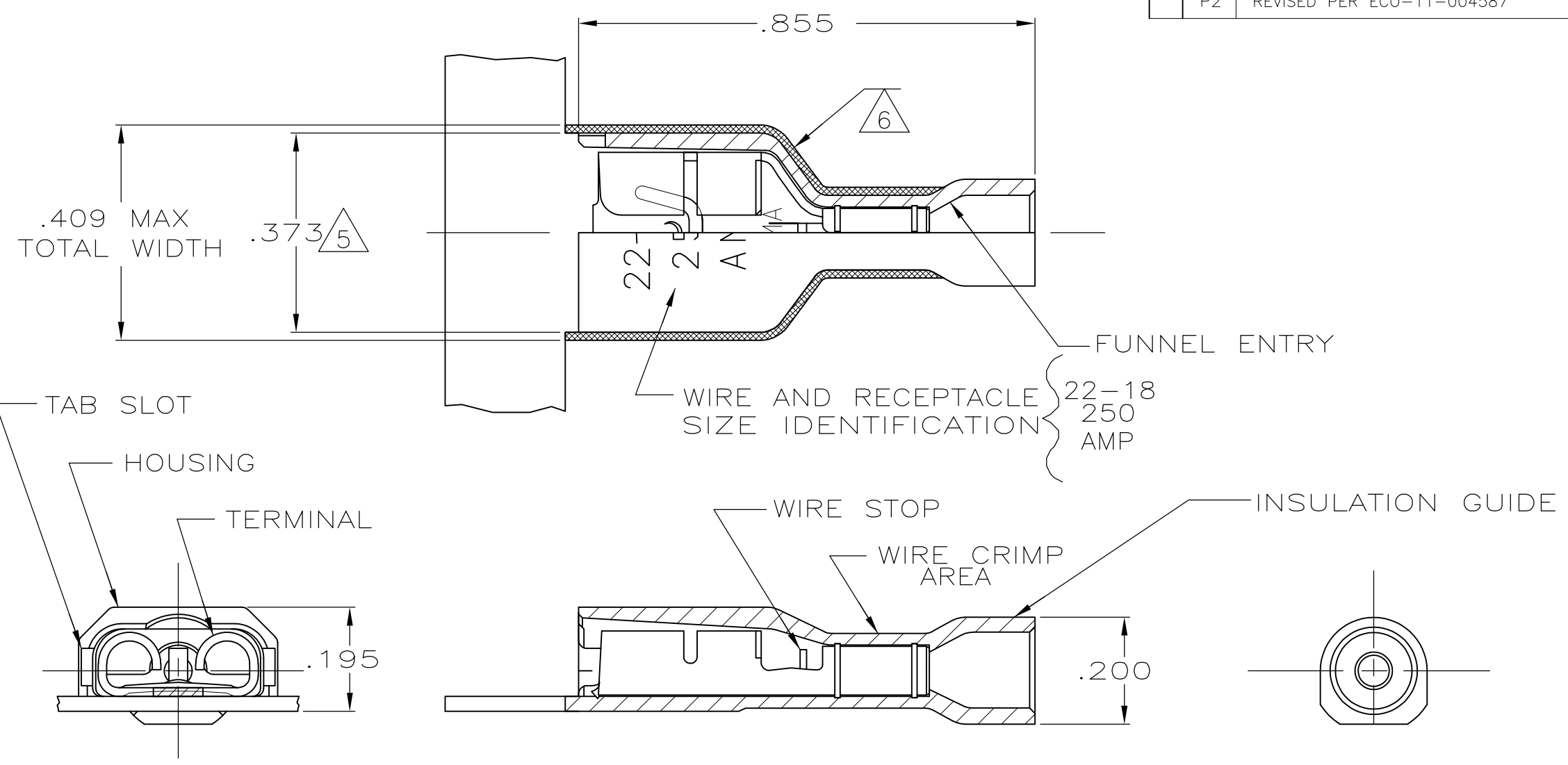


THIS DRAWING IS UNPUBLISHED. RELEASED FOR PUBLICATION
 © COPYRIGHT - By - ALL RIGHTS RESERVED.

LOC	DIST	REVISIONS					
AF	50	P	LTR	DESCRIPTION	DATE	DWN	APVD
		P2		REVISED PER ECO-11-004587	11MAR11	RK	HMR



- 1 MATES WITH .032±.001x.250 TAB
- 2 WIRE STRIP LENGTH .281
- 3 INSULATION SIZE .135 MAX DIA
- 4 CONTINUOUS STRIP ON REELS
- 5 DIMENSION DOES NOT INCLUDE TRIM BURR
- 6 .015 MAX CARRIER TRIM BURR PER SIDE IS ALLOWABLE IN THE SHADED AREA

STANDARD	HOUSING:NYLON,COLOR-BLACK TRANSLUCENT RECEPTACLE:#3 HARD BRASS, TIN .000080 MIN	9-520183-2
BULK	HOUSING:NYLON,COLOR-RED TRANSLUCENT RECEPTACLE:#3 HARD BRASS, TIN .000080 MIN	5-520183-2
STANDARD	HOUSING:NYLON,COLOR-RED TRANSLUCENT RECEPTACLE:#3 HARD PH BRONZE, TIN .000080 MIN	2-520183-4
	HOUSING:NYLON,COLOR-RED TRANSLUCENT RECEPTACLE:#3 HARD BRASS, TIN .000080 MIN	2-520183-2
PACKAGING	MATERIAL & FINISH	PART NO

THIS DRAWING IS A CONTROLLED DOCUMENT.		DWN P FORTNEY 10/18/88	STE TE Connectivity	
		CHK JR RUTH 10/18/88		
		APVD K RANDOLPH 10/21/88	NAME RECEPTACLE ASSY,ULTRA-FAST, .250 SERIES,22-18 AWG	
DIMENSIONS: INCHES	TOLERANCES UNLESS OTHERWISE SPECIFIED:	PRODUCT SPEC 108-2043		SIZE CAGE CODE DRAWING NO RESTRICTED TO
	0 PLC ± - 1 PLC ± - 2 PLC ± - 3 PLC ± .015 4 PLC ± - ANGLES ± -	APPLICATION SPEC 114-2123		
MATERIAL SEE TABLE	FINISH SEE TABLE	WEIGHT -	A3 00779 C-520183	
CUSTOMER DRAWING			SCALE 4:1	SHEET 1 OF 1 REV P2