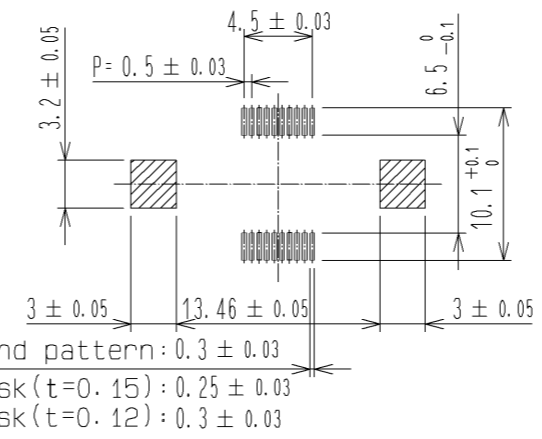
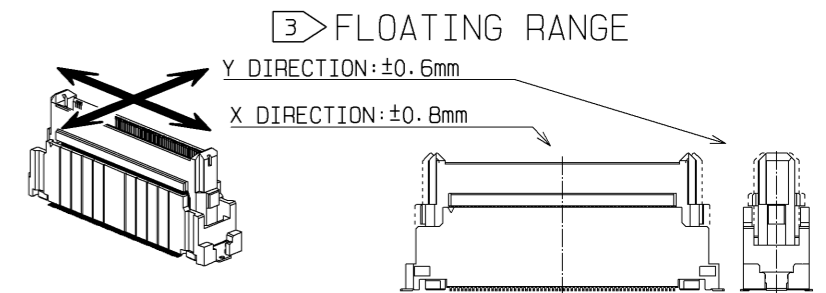
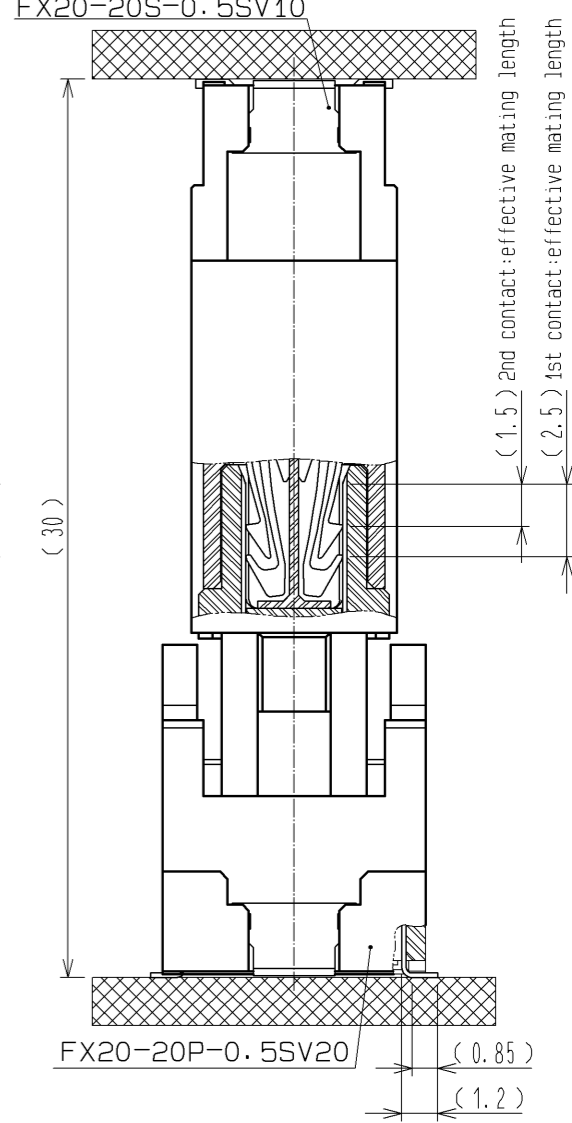


DRAWING FOR REFERENCE: This is subject to change without notice
12/05/2013

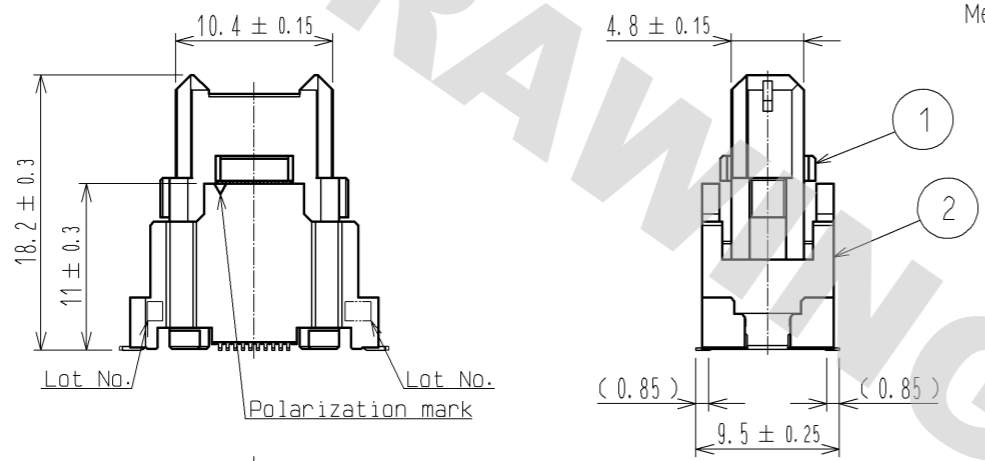
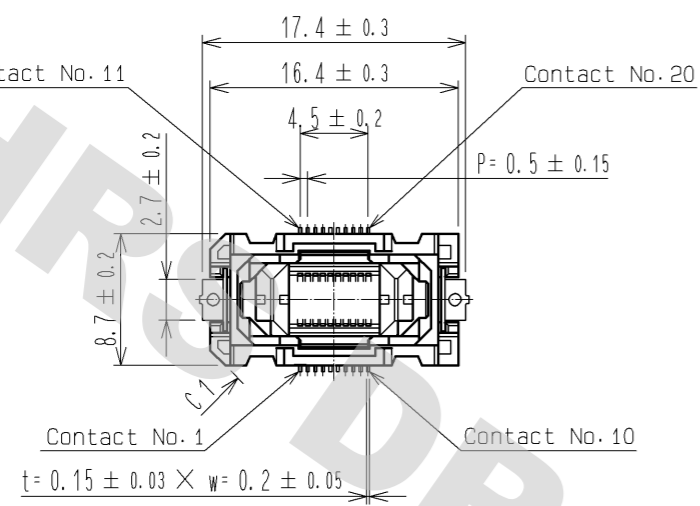
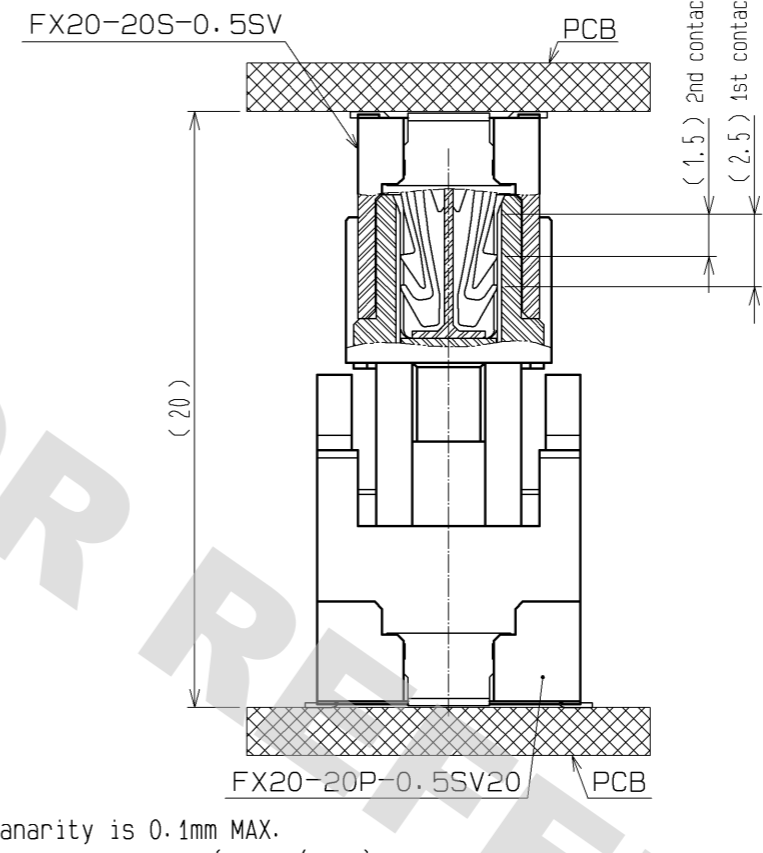
Recommended land pattern dimension of PCB



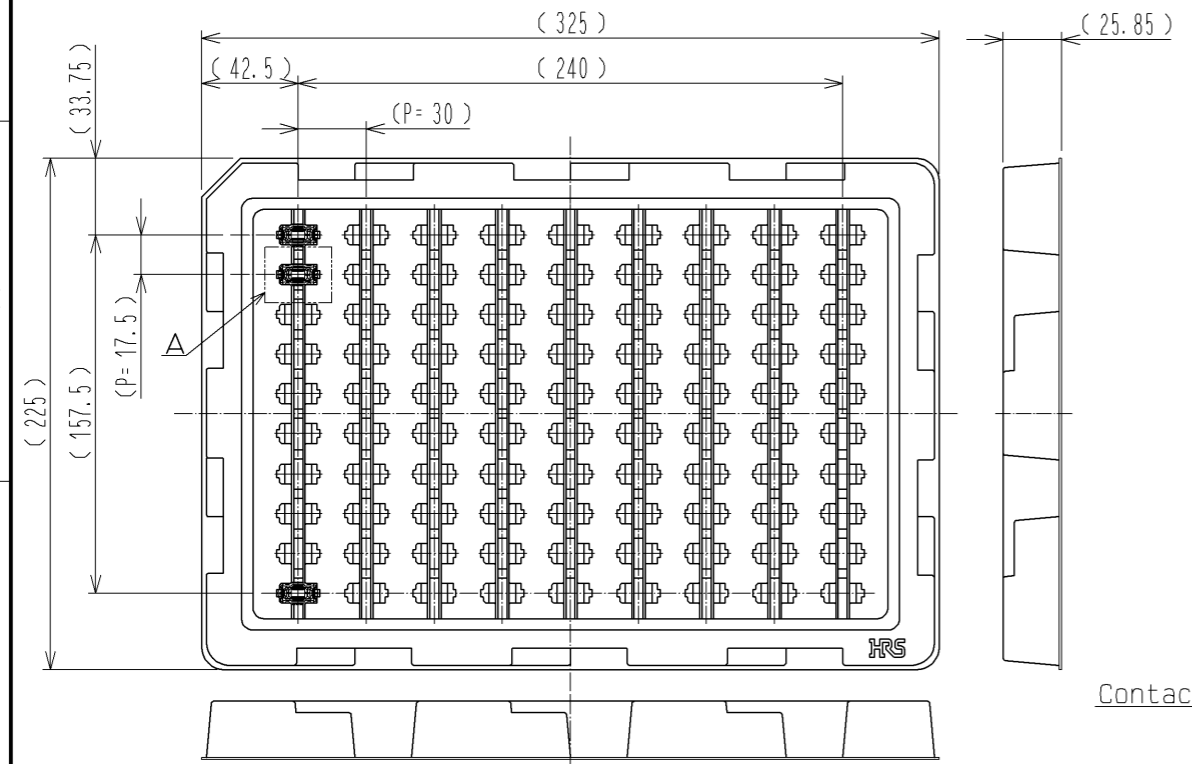
Drawing for mating (No scale)



Drawing for mating (No scale)



Drawing for packing (No scale)



- 1 Lead CO-Planarity is 0.1mm MAX.
- 2 This is packaged in tray. (90pcs/tray)
- 3 Floating range of this connector is ±0.8mm MAX in the X direction and ±0.6mm MAX in the Y direction.
- 4 Blemish and hit mark can be occurred through out the manufacturing process which doesn't affect quality level.
- 5 Please note that excessive wrenching force could damage this connector. Please refer to the guideline for detailed regulations of the mating method.
- 6 The dimensions in parentheses are for references.

2	POLYAMIDE	BLACK	UL94V-0	4	BRASS	TIN-PLATING 1 μm		
1	POLYAMIDE	BLACK	UL94V-0	3	COPPER ALLOY	CONTACT AREA:GOLD 0.1 μm		
						LEAD AREA :GOLD 0.03 μm		
						UNDER PLATING:NICKEL 1 μm		
NO.	MATERIAL	FINISH	REMARKS	NO.	MATERIAL	FINISH	REMARKS	
UNITS	mm	SCALE	2 : 1	COUNT	DESCRIPTION OF REVISIONS	DESIGNED	CHECKED	DATE
APPROVED : HS. OKAWA				13.10.07	DRAWING NO. EDC3-349946-00			
CHECKED : KI. HIROKAWA				13.10.07	PART NO. FX20-20P-0.5SV20			
DESIGNED : TS. OONO				13.10.07	CODE NO. CL570-1015-5-00			
DRAWN : TS. OONO				13.10.07				