

DETAILS

Product Number	FN13888_BILLIE-A
Family	Billie
Type	Pack
Color	white
Diameter	21.5 mm
Height	16.1 mm
Style	round
Optic Material	PMMA
Holder Material	PC
Fastening	pin
Status	ready
ROHS Compliant	Yes
Date Updated	11/03/2015



OPTICAL PROPERTIES

LED	Viewing	Light	Efficiency	cd/lm	Connector
	Angle	Beam			
XB-D	Asymmetric deg	Asymmetric	85 %	2.100	-
XP-G	Asymmetric deg	Asymmetric	88 %	2.200	-
XT-E	Asymmetric deg	Asymmetric	87 %	2.100	-
XP-E	Asymmetric deg	Asymmetric	89 %	2.400	-
NCSxx19A	Asymmetric deg	Asymmetric	86 %	2.000	-
NF2x757A	Asymmetric deg	Asymmetric	88 %	1.900	-
NVSxx19A	Asymmetric deg	Asymmetric	85 %	1.900	-
Oslon SSL 150	Asymmetric deg	Asymmetric	88 %	2.700	-
Oslon SSL 80	Asymmetric deg	Asymmetric	88 %	2.100	-
LUXEON Rebel	Asymmetric deg	Asymmetric	87 %	2.200	-
LUXEON R	Asymmetric deg	Asymmetric	88 %	2.000	-
LUXEON Rebel ES	Asymmetric deg	Asymmetric	88 %	2.000	-
LUXEON A	Asymmetric deg	Asymmetric	88 %	2.100	-
Duris S5 (2 chip)	Asym deg	Asymmetric	87 %	2.000	-

D

C

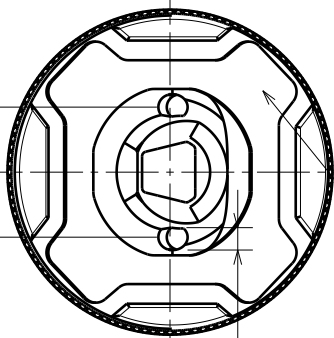
B

A

4

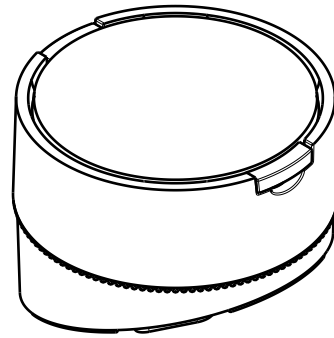
4

8.6



Tape 0,4 mm

1.48



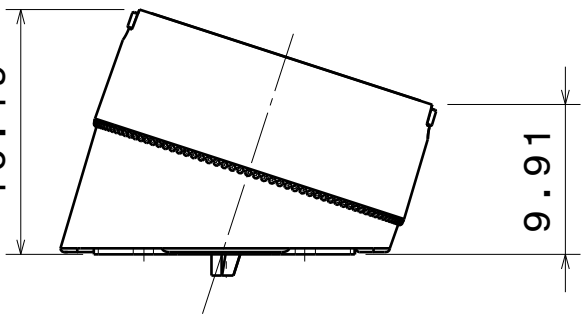
Isometric view

Bottom view

3

3

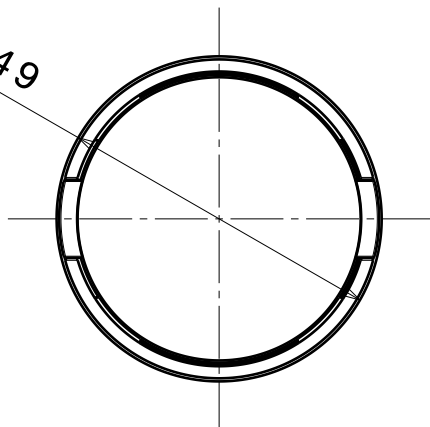
16.19



9.91

Front view

∅21.49



Top view

2

2

Tolerances if not otherwise shown
According to DIN ISO 2768-1
Linear measures:
Up to 30mm class M, otherwise class C.
According to DIN ISO 2768-2
Form and position: class L



Ledil Oy
Salorankatu 10
FIN 24240 SALO
Finland

THIRD ANGLE PROJECTION:



DRAWING TITLE
BILLIE datasheet

This drawing is the property of LEDiL Oy. It may not be reproduced, copied or communicated without a written agreement with LEDiL Oy."

SIZE	PART NUMBER
A4	

SCALE	2:1	WEIGHT	-	SHEET	1/1
-------	-----	--------	---	-------	-----

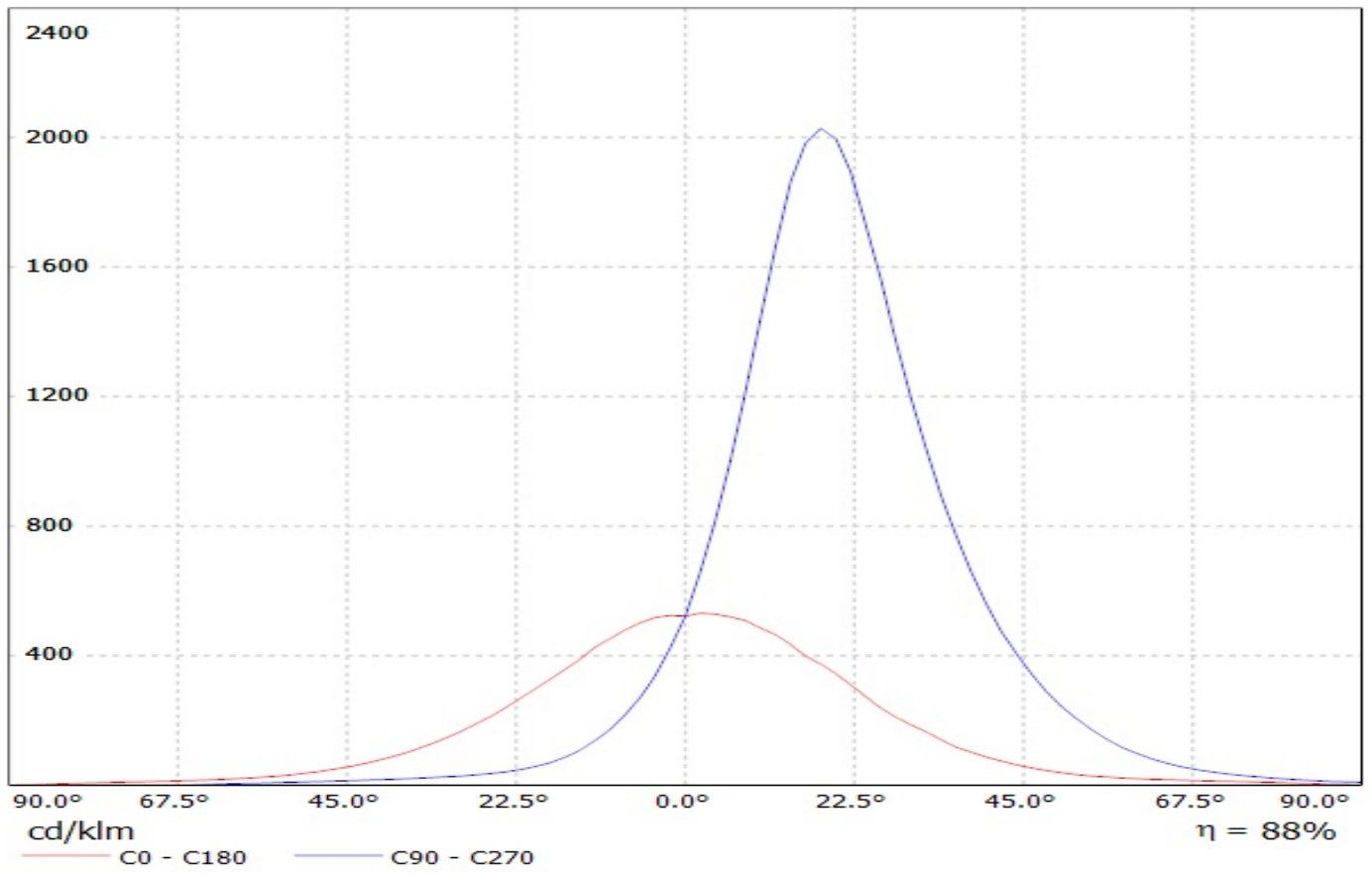
D

A

1

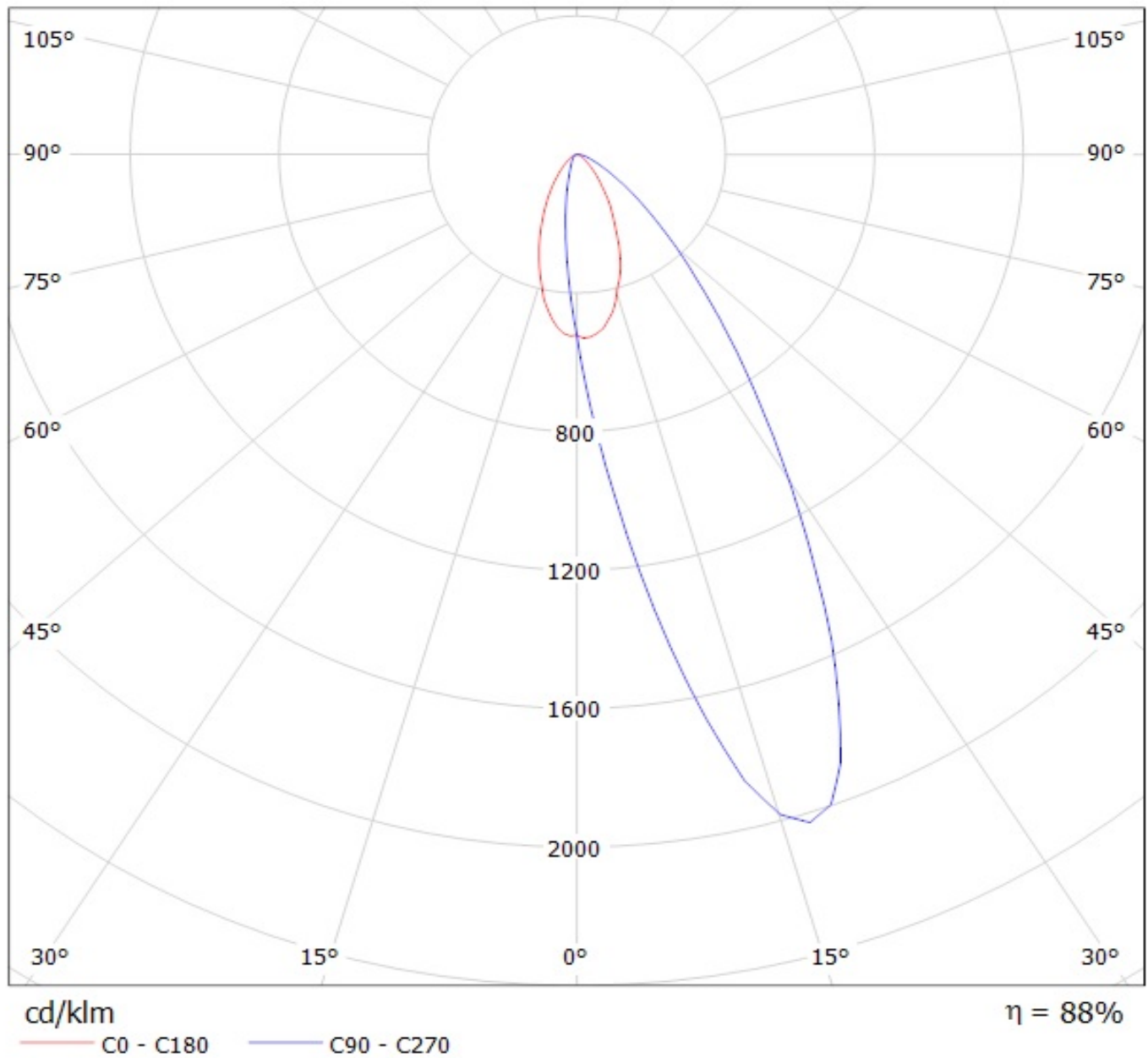
1

Luminaire: LEDil Oy FN13888 BILLIE-A (DURIS_S5) Efficiency=87%
Lamps: 1 x Osram Duris S5 (GW PSLPS1.EC) 102lm @ 150mA CCT=6300K P=1.0W I=150mA



Luminaire: LEDil Oy FN13888_BILLIE-A_(DURIS_S5) Efficiency=87%

Lamps: 1 x Osram Duris S5 (GW PSLPS1.EC) 102lm @ 150mA CCT=6300K P=1.0W I=150mA



NOTE: The typical divergence will be changed by different color, chip size and chip position tolerance. The typical total divergence is the full angle measured where the luminous intensity is half of the peak value.