

IEC Appliance Inlet C6, insert Mounting, Front or Rear Side, Solder, PCB or Quick-connect Terminal



with optional retaining bracket



Description

- Drop-in type
- Appliance Inlet, Pin temperature 70 °C Protection class I
- The optional retaining bracket has to be ordered separately: 4700.0023
- Solder, Quick Connect or PCB Terminal

Approvals

- VDE Certificate Number: 40002273
- UL File Number: E96454
- CSA File Number: 27324

Characteristics

- Contact pins are turned from solid material

References

We recommend for new applications the type [0724](#)

Weblinks

[pdf-datasheet](#), [html-datasheet](#), [General Product Information](#), [Approvals](#), [CE declaration of conformity](#), [RoHS](#), [CHINA-RoHS](#), [REACH](#), [Mating Connectors](#), [e-Shop](#), [SCHURTER-Stock-Check](#), [Distributor-Stock-Check](#), [CAD-Drawings](#), [Accessories](#), [Detailed request for product](#)

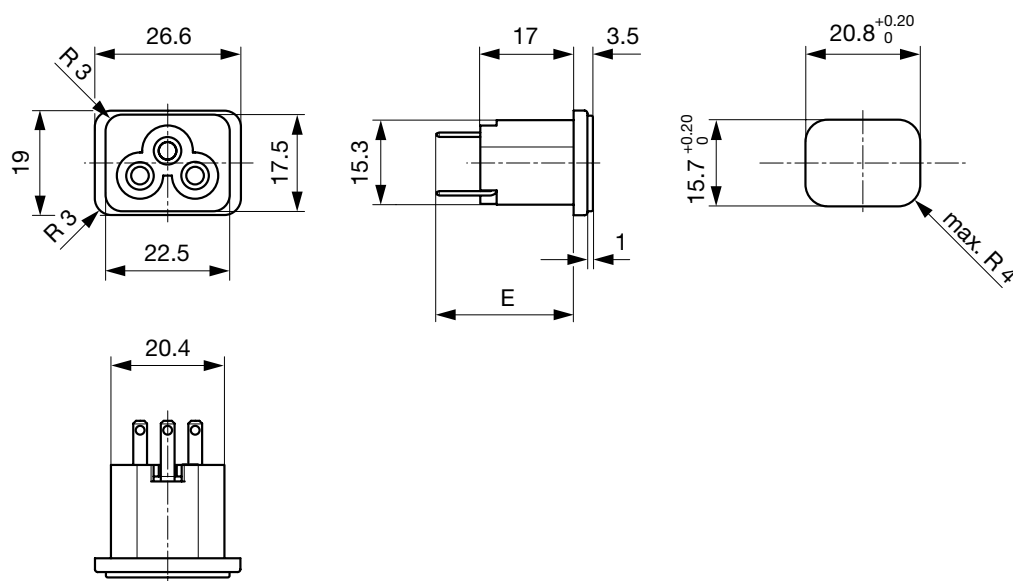
Technical Data

| | |
|---------------------------|---|
| Ratings IEC | 2.5 A / 250 VAC; 50 Hz |
| Ratings UL/CSA | 2.5 A / 250 VAC; 60 Hz |
| Dielectric Strength | > 4 kVAC between L-N > 2 kVAC between L/N-PE (1 min/50 Hz) |
| Allowable Operation Temp. | -25 °C to 70 °C |
| Degree of Protection | from front side IP 20 acc. to IEC 60529 |
| Protection Class | Suitable for appliances with protection class I acc. to IEC 61140 |
| Material: Housing | PA6, black, UL 94V-0 |

| | |
|-----------------|---|
| Appliance Inlet | C6 acc. to IEC 60320 UL 498, CSA C22.2 no. 42 (for cold conditions) pin-temperature 70 °C, 2.5 A, Protection Class I |
|-----------------|---|

Dimensions

Solder or quick connect terminals

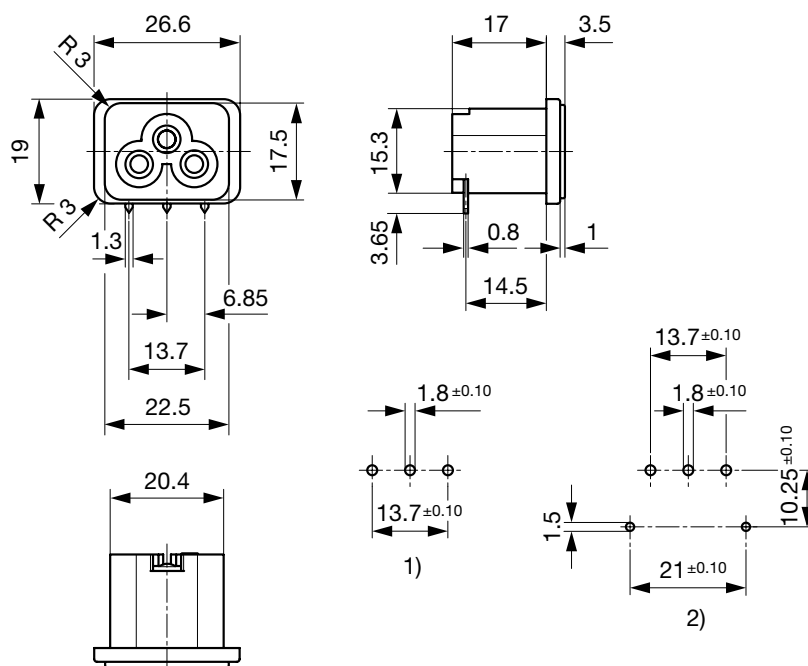


E: Solder terminals short: 18.9 mm

E: Solder terminals long: 22.6 mm

E: Quick connect terminals 2.8x0.8 mm: 24.9 mm

Solder terminals for PCB



1) without retaining bracket

2) with retaining bracket

Config. Code

2563 - H - A B C 0 - D - E

The characters are placeholders for the correspondingly keys of selections from the key tables.

2563 - H - A B C 0 - D - E = Type

| Type | Configuration key |
|--------------------|-------------------|
| protection class I | X |

2563 - H - A B C 0 - D - E = Terminals

| Terminal L | | Configuration key |
|--|--|-------------------|
| short solder terminal (L = 4.8 mm) | | 2 |
| long solder terminal (L = 8.5 mm) | | 3 |
| PCB-terminal standard (additional solder terminal) | | 4 |
| Blade terminal (2.8 x 0.8 mm) | | 7 |
| PCB-terminal (standard) | | A |
| PCB-terminal (short) | | B |
| PCB-terminal (long) | | C |

2563 - H - A B C 0 - D - E = Terminals

| Terminal N | Configuration key |
|--|-------------------|
| short solder terminal (L = 4.8 mm) | 2 |
| long solder terminal (L = 8.5 mm) | 3 |
| PCB-terminal standard (additional solder terminal) | 4 |
| Blade terminal (2.8 x 0.8 mm) | 7 |
| PCB-terminal (standard) | A |
| PCB-terminal (short) | B |
| PCB-terminal (long) | C |

Symbols similar as in table A

2563 - H - A B C 0 - D - E = Terminals

| Terminal Ground | Configuration key |
|--|-------------------|
| short solder terminal (L = 4.8 mm) | 2 |
| long solder terminal (L = 8.5 mm) | 3 |
| PCB-terminal standard (additional solder terminal) | 4 |
| Blade terminal (2.8 x 0.8 mm) | 7 |

Symbols similar as in table A

2563 - H - A B C 0 - D - E = Color

| Color | Configuration key |
|-------|-------------------|
| Black | A |

2563 - H - A B C 0 - D - E = Style

| Style | Configuration key |
|-------------|-------------------|
| insert type | 5 |

All Variants

| Config. Code | Description | Order Number |
|----------------|---|--------------|
| 2563--4440-A-5 | 2563, IEC Appliance Inlet C6, 70°C, version: I, L: PCB-terminal standard (additional solder terminal), N: PCB-terminal standard (additional solder terminal), ground: PCB-terminal standard (additional solder terminal), color: Black, design: insert type | 6160.0003 |

The listed variants should be available from stock. Other versions on request www.schurter.com/contact

Most Popular.

Availability for all products can be searched real-time: <http://www.schurter.com/en/Stock-Check/Stock-Check-SCHURTER>

Packaging unit 100 Pcs