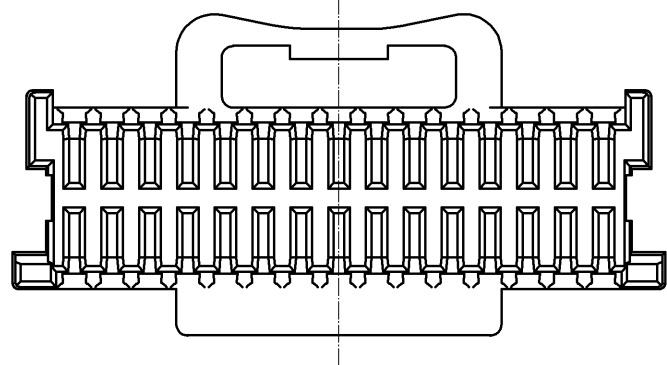


NOTE1. PER PACK:100 PIECES



NO.	MATERIAL	FINISH . REMARKS	NO.	MATERIAL	FINISH . REMARKS			
			1	PBT	UL94V-0. WHITE			
UNITS	SCALE	COUNT	DESCRIPTION OF REVISIONS			DESIGNED	CHECKED	DATE
mm	5 : 1	△						
APPROVED : KI. AKIYAMA			11.11.24		DRAWING NO. EDC3-339823-00			
CHECKED : OM. MIYAMOTO			11.11.22		PART NO. DF50S-30DS-1C			
DESIGNED : TT. OHSAKO			11.11.21		CODE NO. CL665-0021-5-00			
DRAWN : TT. OHSAKO			11.11.21		△ 1/1			