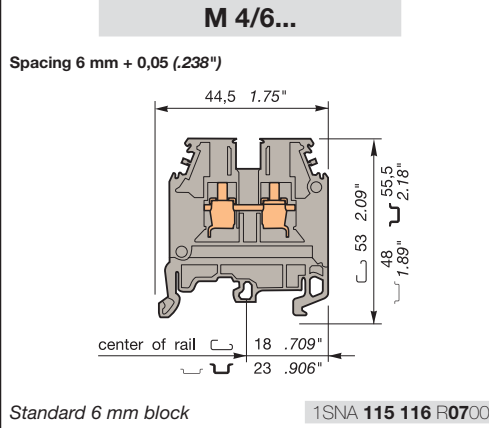


Standard terminal blocks

Screw clamp

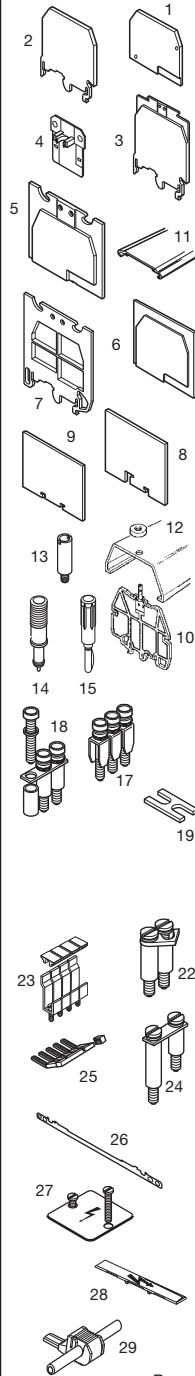
DIN 1 - 3



Colour	Type	Part numbers
<i>Standard blocks</i>		
Grey	M 4/6	1SNA 115 116 R0700
Blue	M 4/6.N	1SNA 125 116 R0100
Orange	M 4/6	1SNA 105 002 R2000
Yellow	M 4/6	1SNA 105 116 R1600
Green	M 4/6	1SNA 105 001 R2700
Red	M 4/6	1SNA 105 032 R1500
Black	M 4/6	1SNA 105 031 R1400
White	M 4/6	1SNA 105 051 R2000
Brown	M 4/6	1SNA 105 209 R1400
Purple	M 4/6	1SNA 206 404 R0500
Beige	M 4/6	1SNA 195 116 R0000



Accessories



Type	Part numbers
1 End section	grey FEM6 th. 2,8 mm 1SNA 118 368 R1600 blue FEM6 th. 2,8 mm 1SNA 128 368 R1000 orange FEM6 th. 2,8 mm 1SNA 103 126 R1600 yellow FEM6 th. 2,8 mm 1SNA 103 062 R2100 green FEM6 th. 2,8 mm 1SNA 103 125 R1500 white FEM6 th. 2,8 mm 1SNA 103 312 R2000 beige FEM6 th. 2,8 mm 1SNA 198 368 R1700 black FEM6 th. 2,8 mm 1SNA 107 005 R2500
2 End section	grey FEM61 (3) th. 3,0 mm 1SNA 114 776 R2300
3 End section	grey FEM6C (3) th. 3,0 mm 1SNA 114 777 R2400
4 Circuit separator	grey SCM6 1SNA 113 003 R1000 blue SCM6 1SNA 123 003 R1200 beige SCM6 1SNA 193 003 R1100
5 Separator end section	grey SCF6 th. 3,0 mm 1SNA 118 707 R0300 blue SCF6 th. 3,0 mm 1SNA 128 707 R0500 beige SCF6 th. 3,0 mm 1SNA 198 707 R0400
6 Separator end section	grey SCF61 th. 3,0 mm 1SNA 114 202 R2500
7 Separator end section	grey SCFM6 (3) th. 3,0 mm 1SNA 114 825 R0500
8 Separator end section	grey SCFEX1 (3) th. 2,4 mm 1SNA 103 619 R0400
9 Separator end section	grey SCFEX3 (3) th. 2,4 mm 1SNA 103 620 R0100
10 Separator end section (for cover CPV)	grey SCFCV1-2 (3) th. 3,0 mm 1SNA 116 795 R1100 beige SCFCV1-2 (3) th. 3,0 mm 1SNA 196 795 R1200
11 Protective cover	CPM (for FEM6C, SCF6 and SCFM6) 1SNA 187 312 R1400
12 Protective cover	CPV1-2 (for SCFCV1-2...) 1SNA 176 816 R1200
13 Test socket	AL2 (1) DIA. 2 mm 1SNA 163 043 R2100 AL3 (1) DIA. 3 mm 1SNA 163 261 R0000
14 Test device	DCJ yellow 1SNA 173 059 R0300
15 Test plug	FC2 DIA. 2 mm 1SNA 007 865 R2600 FC4 DIA. 4 mm 1SNA 167 860 R0100
17 Assembled jumper bar (with IP20 protection)	32 A BJM16 (1) 2 poles 1SNA 176 663 R0000 32 A BJM16 (1) 3 poles 1SNA 176 664 R0100 32 A BJM16 (1) 4 poles 1SNA 176 665 R0200 32 A BJM16 (1) 5 poles 1SNA 176 666 R0300 32 A BJM16 (1) 10 poles 1SNA 176 667 R0400
18 Jumper bar not assembled Post + screw + washer IP 20	32 A BJS6 (1) 20 poles 1SNA 174 784 R2000 1SNA 206 394 R0200
19 Connector plate	35 A EL6 1SNA 173 627 R2100
22 Pivoting jumper bar	35 A BJP6 (1) 1SNA 174 413 R1400
23 Alternated jumper bar	35 A BJA6 (1) 10 poles 1SNA 116 541 R1200
24 Universal jumper bar	50 A BJDP1 (1)(2) spacing 6 <-> spacing 16 1SNA 179 623 R0300 70 A BJDP3 (1)(2) spacing 6 <-> spacing 12 1SNA 179 625 R0500 50 A BJDP4 (1)(2) spacing 6 <-> spacing 8 or 10 1SNA 174 781 R2500
25 Comb-type jumper bar	35 A PC6 (4) 2 poles 1SNA 113 546 R1400 35 A PC6 (4) 10 poles 1SNA 113 548 R2600 EIP 1SNA 113 550 R2400
26 Shield connector	CBM5 th. 0,5 mm 1SNA 178 745 R1400 CBM8 th. 0,8 mm 1SNA 178 746 R1500
27 Protection label	EP6 4 blocks 1SNA 163 427 R1700
Screw for protection label	VSP6 1SNA 163 433 R1500
28 Protection label	EPU6 1SNA 107 038 R2500
29 IDC jumper	AD2,5 1SNA 114 205 R2000

refer to the section "Special Applications" for part numbers and characteristics.

Test connector : refer to section connectors

End stop	th. 9 mm	BADL	1SNA 399 903 R0200
End stop	th. 10 mm	BAM2	1SNA 206 351 R1600
End stop	th. 10 mm	BAR	1SNA 164 338 R0600
Rail	35 x 7,5 x 1	PR3.Z2	1SNA 174 300 R1700
Rail	35 x 15 x 2,3	PR4	1SNA 168 500 R1200
Rail	35 x 15 x 1,5	PR5	1SNA 168 700 R2200
Rail	32 x 15 x 1,5	PR1.Z2	1SNA 163 050 R0400

Other end stops, rails and accessories : see section on accessories.

Characteristics

Wire size	Wire size			
	IEC NFC DIN	UL	CSA	
Screw clamp	Rigid	0,2-4 mm ²	24-10 AWG	24-10 AWG
	Flexible	0,22-4 mm ²	24-10 AWG	24-10 AWG

Voltage			
Rated	1000 V	600 V	600 V
Impulse withstand	8 kV		
Pollution degree	3		

Current			
Rated	32 A	30 A	30 A

Wire size			
Rated / Gauge	4 mm ² / A4	10 AWG	10 AWG
Wire strip length	Recomm. 4 mm	Recomm. 0,5-0,8 Nm torque	Protection IP 20
	.37"	.157"	NEMA 1

Notes

The use of some accessories may decrease the block's voltage rating. For more information, consult us.

BJDP1 permits the interconnection with a terminal block series "M" spacing 16 mm.

BJDP3 permits the interconnection with a terminal block series "M" spacing 12 mm.

BJDP4 permits the interconnection with a terminal block series "D" spacing 8 mm or a terminal block series "M" spacing 8 or 10 mm.

R See section on marking marking method RC65 - RC610 RCT610

Note : (1) A circuit separator SC may be required with the use of these accessories.
(2) See "Notes". (3) End sections and separators snapped on rails.
(4) See section : "Accessories" for other configurations of poles.