

Surface Mount Fuse Fast Acting

PRODUCT: 0603SFF Family

DOCUMENT: SCD27593
REV LETTER: C
REV DATE: MARCH 6, 2012
PAGE NO.: 1 OF 3

Specification Status: Released

Max Electrical Rating at 25°C

Max Voltage:

0.5A-1.5A 63V_{DC}, 2A-5A 32V_{DC}, 6A 24V_{DC}

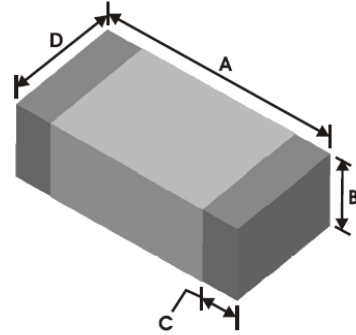
Max Interrupt Current at Rated Voltage:

35A for 0.5A-6A

Termination Material: Silver, Nickel, Tin

Fuse Element: Silver

Body Material: Glass Ceramic



Clear Time Characteristics

% of current rating	Clear time at 25°C
100%	4 hours min.
250%	5 seconds max.
400%	0.05 seconds max.

Dimensions

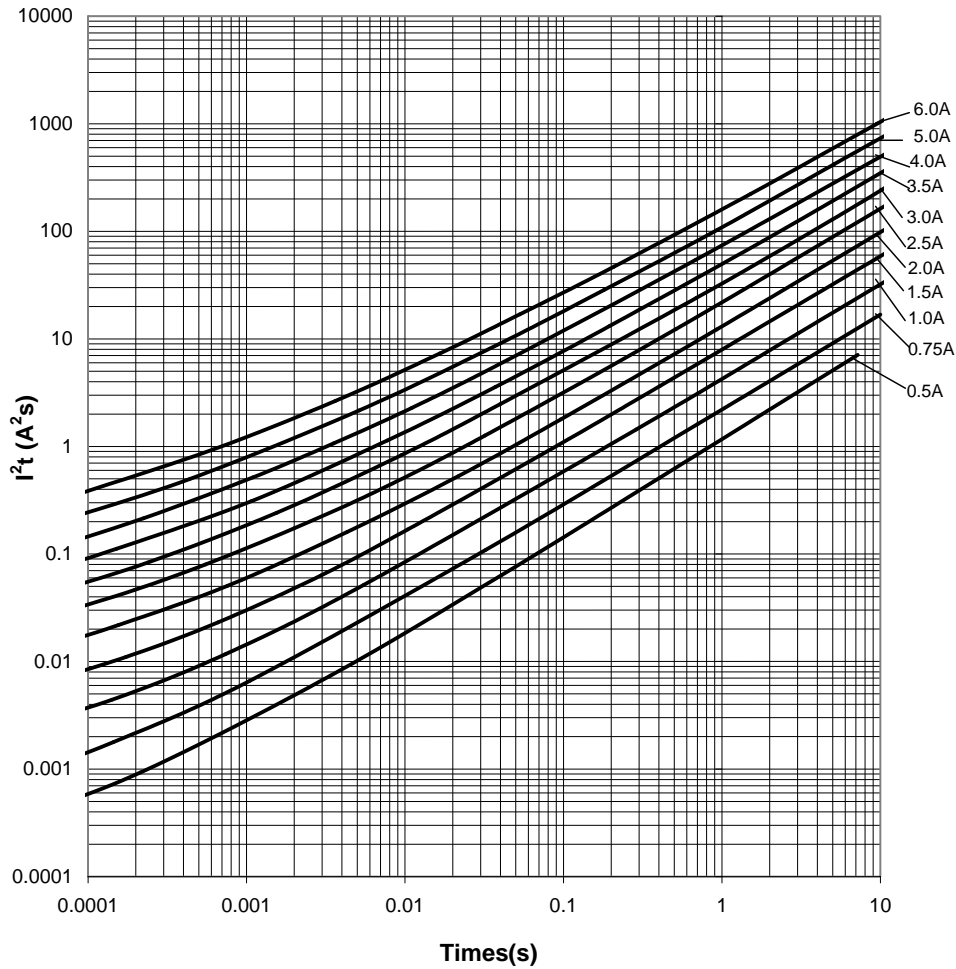
	A		B		C		D	
	MIN	MAX	MIN	MAX	MIN	MAX	MIN	MAX
mm:	1.45	1.75	0.65	0.95	0.21	0.51	0.65	0.95
in:	0.057	0.069	0.026	0.037	0.008	0.020	0.026	0.037

Part Number	Current Rating (A)	Max Voltage Rating (VDC)	Nominal Cold DCR (Ω)*
0603SFF050F/32	0.5	63	0.485
0603SFF075F/32	0.75	63	0.254
0603SFF100F/32	1.0	63	0.147
0603SFF150F/32	1.5	63	0.059
0603SFF200F/32	2.0	32	0.044
0603SFF250F/32	2.5	32	0.032
0603SFF300F/32	3.0	32	0.025
0603SFF350F/32	3.5	32	0.024
0603SFF400F/32	4.0	32	0.018
0603SFF500F/32	5.0	32	0.013
0603SFF600F/24	6.0	24	0.010

* Measured at ≤10% rated current and 25°C ambient

Surface Mount Fuse Fast Acting

Nominal I^2t vs t Curves



Agency Recognition:
Precedence:
Effectivity:

UL E197536
This specification takes precedence over documents referenced herein.
Reference documents shall be the issue in effect on the date of invitation for bid.

Materials Information

ROHS Compliant

Directive 2002/95/EC
Compliant

ELV Compliant

Directive 2000/53/EC
Compliant

Halogen Free*



* Halogen Free refers to: Br≤900ppm, Cl≤900ppm, Br+Cl≤1500ppm