

Product Information



TOP250x50-Ø20

EAN 4031582366266

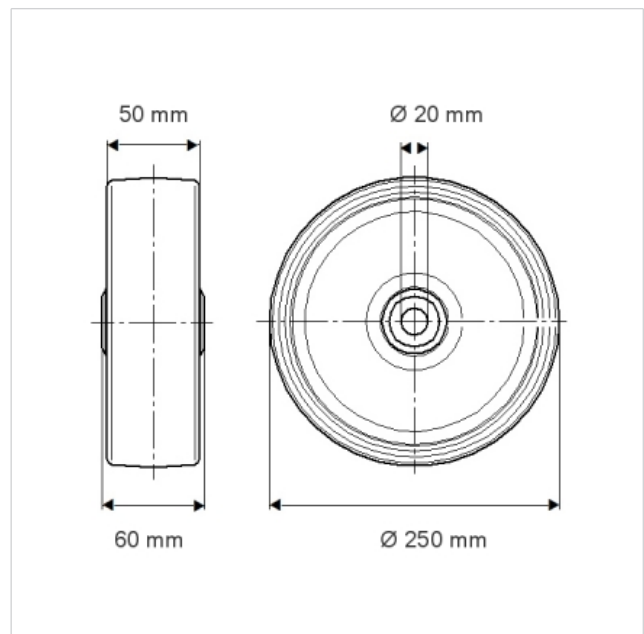
Wheel centre made of Polyamide, heavy duty,
precision ball bearing

Technical Data

Wheel diameter	250 mm
Width of Tread	50 mm
Axle Hole-Ø	20 mm
Hub length	60 mm
Temperature	- 40 / + 80 °C
Standard	EN 12533
Weight	1.883 kg
Hardness of tread	Shore D 75
Bearing type	6205 No.
Load capacity	1100 kg
Load capacity (static)	2200 kg



Roll performance	+	+	+	+	+
Movement noise	+	+	+	+	+
Attrition	+	+	+	+	+
Corrosion resistance	+	+	+	+	+





TOP250x50-Ø20

EAN 4031582366266

